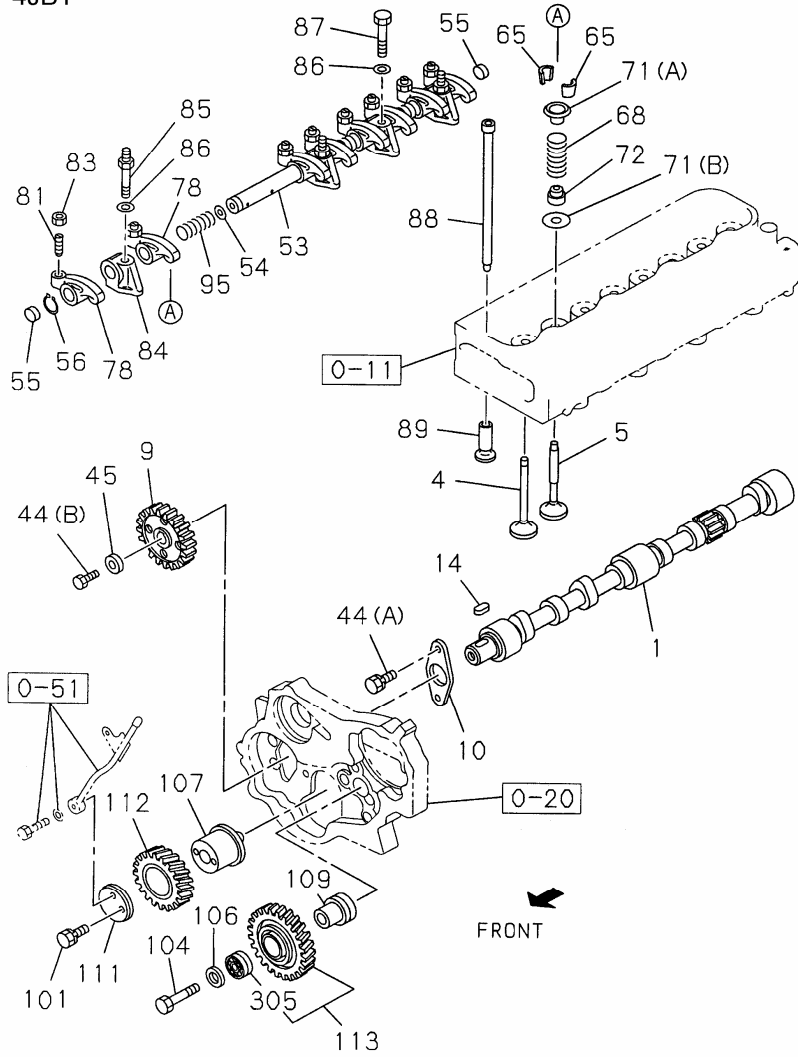


FIG.NO : 0-14 CAMSHAFT AND VALVE

4JB1, 4JB1-TC

4JB1



4BE1

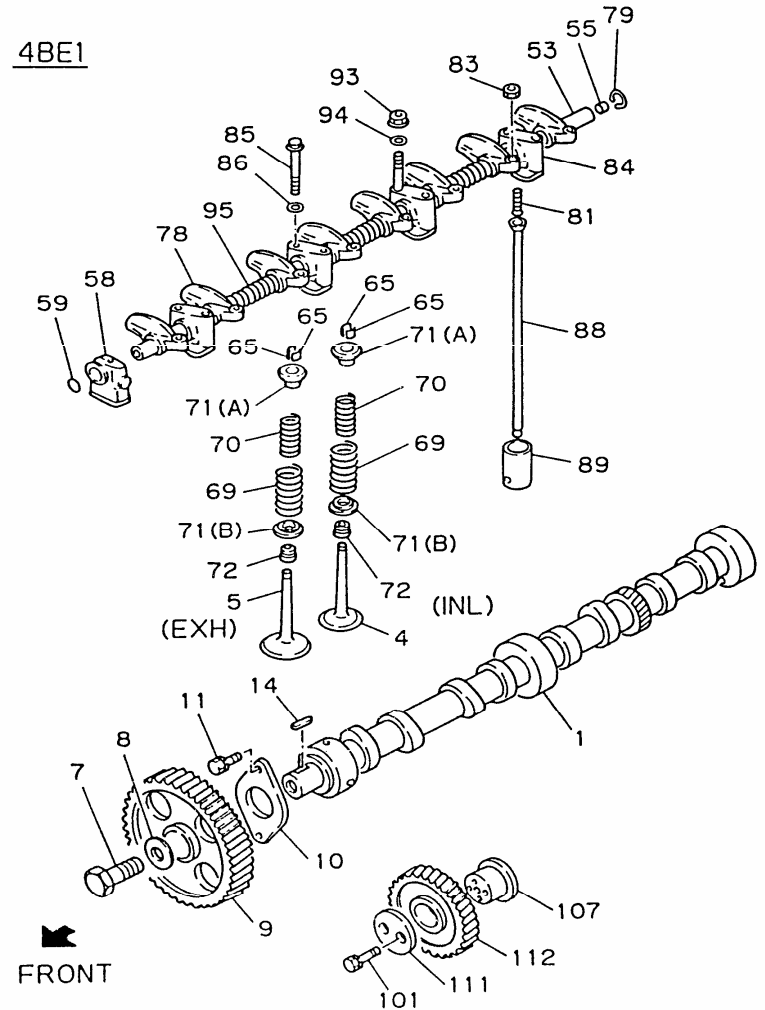
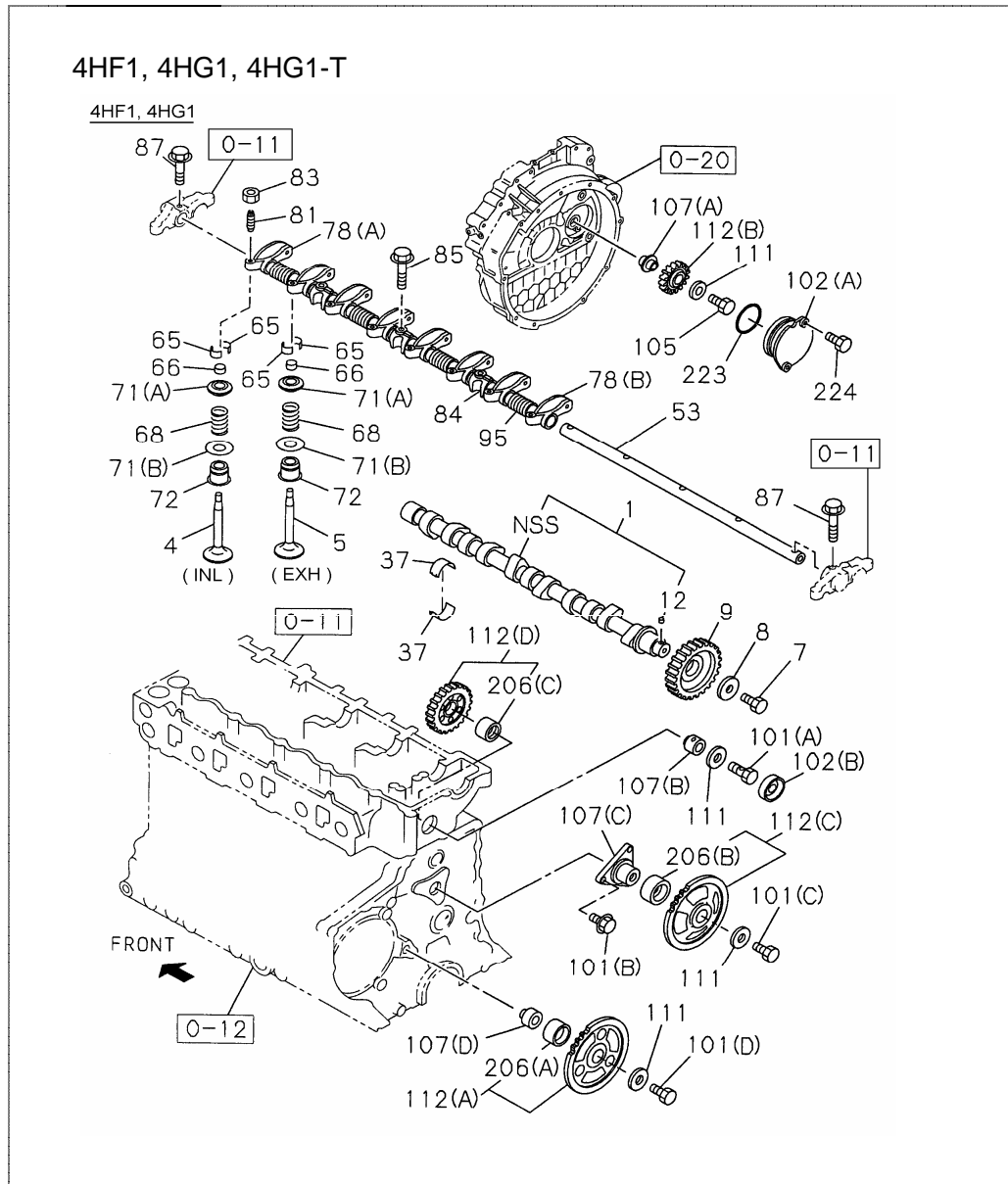


FIG.NO : 0-14 CAMSHAFT AND VALVE



KEY NO	PART NUMBER	I T C	DESCRIPTION	QTY	APPLIED DATE	MODEL	REMARKS
1	8-94127 797-4	C	CAMSHAFT	1	9312-0012	4JB1	NHR55
	8-97287 657-0	C	CAMSHAFT	1	0101-	4JB1	NHR55
	8-94127 797-A		CAMSHAFT	1	9612-	4JB1	NHR55
	8-94409 412-0	C	CAMSHAFT	1	9312-	4BE1	NKR 58
	8-97014 573-1		CAMSHAFT	1	9312-	4BE1	NKR 58
	8-97077 829-0		CAMSHAFT	1	9312-	4HF1	NKR66, NKR66-2, NKR 71
	8-97287 657-0	C	CAMSHAFT	1	0702-0702	4JB1-TC	NHR55, NKR55 EURO 2
	8-94127 797-A		CAMSHAFT	1	0703-1010	4JB1-TC	NHR55, NKR55 EURO 2
	8-94127 797-A		CAMSHAFT	1	1011-	4JB1-TC	NHR55, NKR55 EURO 2 GOLD
	8-97077 829-0		CAMSHAFT	1	0702-1010	4HG1-T	NKR71 EURO2
	8-97077 829-0		CAMSHAFT	1	1011-	4HG1-T	NKR71 EURO2 GOLD
4	8-94133 275-2		VAKVE ; INL	4	9312-	4JB1	EXC.TURBOCHARGER, NHR55
	8-97034 379-1		VAKVE ; INL	4	9312-	4BE1	NKR 58
	8-94464 921-2		VAKVE ; INL	4	0702-	4JB1-TC	NHR55, NKR55 EURO 2
	8-97033 864-2	C	VAKVE ; INL	4	9312-9510	4HF1	NKR66
	8-94394 160-2		VAKVE ; INL	4	9511-9705	4HF1	NKR66
	8-97171 398-0		VAKVE ; INL	4	9706-	4HF1	NKR66, NKR66-2, NKR 71
	8-97171 398-0		VAKVE ; INL	4	0702-	4HG1-T	NKR71 EURO 2
	8-97171 398-0		VAKVE ; INL	4	0702-	4HG1-T	NKR71 EURO 2
5	8-94247 875-2		VALVE ; EXH	4	9312-	4JB1	EXC.TURBOCHARGER, NHR55
	8-97028 707-2		VALVE ; EXH	4	9312-	4BE1	NKR 58
	8-97219 509-2		VALVE ; EXH	4	9312-	4HF1	NKR66
	8-97171 399-0		VALVE ; EXH	4	9706-	4HF1	NKR66, NKR66-2, NKR 71
	8-97171 399-0		VALVE ; EXH	4	0702-	4HG1-T	NKR71 EURO 2
	8-94433 245-1		VALVE ; EXH	4	0702-	4JB1-TC	NHR55, NKR55 EURO 2
	8-94433 245-1		VALVE ; EXH	4	0702-	4JB1-TC	NHR55, NKR55 EURO 2
7	5-09000 236-0		BOLT ; CM/SHF GEAR	1	9312-	4BE1	M 14 X 39 (NKR 58)
	9-92061 440-0		BOLT ; CM/SHF GEAR	1	9312-	4HF1	M 14 X 40 (NKR66)
	8-94396 439-0		BOLT ; CM/SHF GEAR	1	0211-	4HG1	M 14 X 40 (NKR66, 662, 71)
	8-94396 439-0		BOLT ; CM/SHF GEAR	1	0702-	4HG1-T	M 14 X 40 (NKR71 E2)
	8-94396 439-0		BOLT ; CM/SHF GEAR	1	0702-	4HG1-T	M 14 X 40 (NKR71 E2)
8	9-09851 850-3		WASHER ; CM/SHF GEAR	1	9312-	4BE1	NKR 58
	9-09851 850-3		WASHER ; CM/SHF GEAR	1	9312-	4HF1	NKR66, NKR66-2, NKR 71
	9-09851 850-3		WASHER ; CM/SHF GEAR	1	0702-	4HG1-T	NKR71 EURO 2

FIG.NO : 0-14 CAMSHAFT AND VALVE

KEY NO	PART NUMBER	I T C	DESCRIPTION	QTY	APPLIED DATE	MODEL	REMARKS	KEY NO	PART NUMBER	I T C	DESCRIPTION	QTY	APPLIED DATE	MODEL	REMARKS	
9	8-97079 212-0	C	GEAR ; CAMSHAFT	1	9312-0205	4JB1	NHR55	53	8-97036 197-0		SHAFT ; ROCKER ARM	1	9312-	4JB1	NHR55	
	8-97079 212-1		GEAR ; CAMSHAFT	1	0206-0701	4JB1	Z=42 EXC.TURBOCHARGER (NHR55)		8-97036 197-0		SHAFT ; ROCKER ARM	1	0702-	4JB1-TC	NHR55, NKR55 EURO 2	
	1-12522 016-2		GEAR ; CAMSHAFT	1	9312-	4BE1	Z = 50 (NKR 58)		8-94129 551-0		SHAFT ; ROCKER ARM	1	9312-	4BE1	NKR 58	
	8-97094 440-2		GEAR ; CAMSHAFT	1	9312-9510	4HF1	Z = 35 (NKR66)		8-97074 617-1		SHAFT ; ROCKER ARM	1	9312-	4HF1	NKR66, NKR66-2, NKR 71	
	8-97088 057-2		GEAR ; CAMSHAFT	1	9511-0701	4HF1	Z = 70 (NKR66, NKR66-2, NKR 71)		8-97074 617-1		SHAFT ; ROCKER ARM	1	0702-	4HG1-T	NKR71 EURO 2	
	8-97094 440-2		GEAR ; CAMSHAFT	1	0702-	4HG1-T	Z = 35 (NKR 71 EURO2)		54		8-94341 906-0	WASHER ; ROCKER SPR	6	9312-	4JB1	NHR55
	8-97079 212-1		GEAR ; CAMSHAFT	1	0702-	4JB1-TC	Z = 42 (NHR55/NKR55 EURO2)				8-94341 906-0	WASHER ; ROCKER SPR	6	0702-	4JB1-TC	NHR55, NKR55 EURO 2
	10		8-94110 480-1		PLATE ; THRUST, CM/SHF	1	9312-		4JB1		NHR55	55	9-12626 005-0		PLUG ; ROCKER SHAFT END	2
8-94110 480-1		PLATE ; THRUST, CM/SHF	1		0702-	4JB1-TC	NHR55, NKR55 EURO 2	9-12626 005-0	PLUG ; ROCKER SHAFT END	2	0702-		4JB1-TC		NHR55, NKR55 EURO 2	
9-11681 015-0		PLATE ; THRUST, CM/SHF	1		9312-	4BE1	NKR 58	56	9-09180 019-0		RING ; SNAP, ROCKER ARM	2	9312-	4JB1	NHR55, NKR 71	
11	0-50540 825-0	BOLT ; THRUST PLATE TO C/E	2	9312-	4BE1	M 8 X 25 (NKR58)	9-09180 019-0		RING ; SNAP, ROCKER ARM		2	0702-	4JB1-TC	NHR55, NKR55 EURO 2		
	12	8-94399 487-0	KEY ; CAM GEAR SET	1	9312-	4HF1	NKR66	58	5-12628 012-0		BRACKET; ROCKER SHF FRT	1	9312-	4BE1	NKR 58	
8-94399 487-0		KEY ; CAM GEAR SET	1	0702-	4HG1-T	NKR71 EURO 2	59		5-09623 060-0			BRACKET; ROCKER SHF FRT	1	9312-	4BE1	NKR 58
14	9-08000 718-0		KEY ; FEATHER, CM/SHF	1	9312-	4JB1		NHR55	65	5-12565 004-0			COLLAR ; SPLIT	16	9312-	4JB1
	9-08000 718-0		KEY ; FEATHER, CM/SHF	1	0702-	4JB1-TC	NHR55, NKR55 EURO 2	5-12565 004-0		COLLAR ; SPLIT	16		0702-	4JB1-TC	NHR55, NKR55 EURO 2	
	9-08010 720-0		KEY ; FEATHER, CM/SHF	1	9312-	4BE1	NKR 58	5-12565 006-0		COLLAR ; SPLIT	16		9312-	4BE1	NKR58, NKR66, NKR66-2, NKR 71	
37	8-94393 380-0		METAL ; CM/SHF	10	9312-9408	4HF1	NKR66	66		8-94396 015-2	A		CAP ; VALVE STEM END	8	9312-9506	4HF1
	8-97386 189-0		METAL ; CM/SHF	10	9409-	4HF1	NKR66		8-97188 300-0	C		CAP ; VALVE STEM END	8	9806-	4HF1	NKR66
	8-97386 189-0		METAL ; CM/SHF	10	0212-	4HF1	NKR66, NKR66-2, NKR 71		8-94396 015-2	CAP ; VALVE STEM END		8	0107-	4HF1	NKR66, NKR66-2, NKR 71	
	8-97386 189-0		METAL ; CM/SHF	10	0702-0702	4HG1-T	NKR71 EURO 2		8-94396 015-2	CAP ; VALVE STEM END		8	0702-	4HG1-T	NKR71 EURO 2	
	8-97286 189-0		METAL ; CM/SHF	10	0703-	4HG1-T	NKR71 EURO 2		68	8-94433 247-0			SPRING ; VALVE	8	9312-	4JB1
44	0-50040 816-0	BOLT	2	9312-	4JB1	(A) M8 X 16 , NHR55	8-94433 247-0	SPRING ; VALVE		8	0702-		4JB1-TC	OD = 30.6 , NHR55,NKR55 E2		
	0-50040 816-0	BOLT	2	0702-	4JB1-TC	(A) NHR55, NKR55 EURO 2	8-97023 559-0	SPRING ; VALVE	8	9312-	4HF1	NKR66, NKR66-2, NKR 71				
	8-94433 407-0	BOLT	1	9312-	4JB1	(B) M 12 X 47 (NHR55)	8-97023 559-0	SPRING ; VALVE	8	0702-	4HG1-T	NKR71 EURO 2				
	8-94433 407-0	BOLT	1	0702-	4JB1-TC	(B) NHR55, NKR55 EURO 2	69	8-94125 512-0		SPRING ; VALVE, OUTER	8	9312-	4BE1	NKR 58		
45	5-12519 002-1	WASHER ; GEAR CAM	1	9312-	4JB1	ID = 13 OD = 36 , NHR55										
	5-12519 002-1	WASHER ; GEAR CAM	1	0702-	4JB1-TC	ID=13 OD=36, NHR55 EURO 2										

FIG.NO : 0-14 CAMSHAFT AND VALVE

KEY NO	PART NUMBER	I T C	DESCRIPTION	QTY	APPLIED DATE	MODEL	REMARKS	KEY NO	PART NUMBER	I T C	DESCRIPTION	QTY	APPLIED DATE	MODEL	REMARKS
70	8-94125 511-0		SPRING ; VALVE, INNER	8	9312-	4BE1	NKR 58	83	9-09111 508-A		NUT ; ADJ SCREW, LK	8	9312-	4JB1	M 8 (NHR55,NKR55 EURO 2)
71	8-94133 731-2		SEAT ; SPR	8	9312-	4JB1	(A) OD = 32,8 (NHR55)		9-09111 508-A		NUT ; ADJ SCREW, LK	8	9312-	4BE1	M 8 (NKR 58)
	5-12563 001-0		SEAT ; SPR	8	9312-	4JB1	(B) OD = 34 (NHR55)		9-09111 410-0	C	NUT ; ADJ SCREW, LK	8	9312-0701	4HF1	M 10 ; H = 6 (NKR66, NKR71)
	5-12563 001-0		SEAT ; SPR	8	9312-	4BE1	(B) OD = 34 (NKR 58)		0-91111 510-0		NUT ; ADJ SCREW, LK	8	0702-	4HG1-T	M10 , NKR71 EURO 2
	5-12563 001-0		SEAT ; SPR	8	0702-	4JB1-TC	(B) OD = 34 (NKR71 EURO 2)	84	8-94152 345-A		BRACKET ; ROCKER SHF INTE	4	9312-0701	4JB1	NHR55
	8-94133 731-2		SEAT ; SPR	8	0702-	4JB1-TC	(B) OD = 32,8 (NKR71 EURO 2)		8-94152 345-A		BRACKET ; ROCKER SHF INTE	4	0702-	4JB1-TC	NHR55, NKR55 EURO 2
	8-94114 579-0		SEAT ; SPR	8	9312-	4BE1	(A) OD = 32 (NKR 58)		9-12628 105-0		BRACKET ; ROCKER SHF INTE	4	9312-	4BE1	NKR 58
	8-94385 029-2		SEAT ; SPR	8	9312-	4HF1	(A) OD=38 (NKR66,662,71)		8-94388 109-3		BRACKET ; ROCKER SHF INTE	3	9312-0701	4HF1	NKR66, NKR 71
	8-94385 029-2		SEAT ; SPR	8	9702-	4HG1-T	(A) OD=38 (NKR71 EURO 2)		8-94388 109-3		BRACKET ; ROCKER SHF INTE	3	0702-	4HG1-T	NKR71 EURO 2
	8-94399 526-1		SEAT ; SPR	8	9312-	4HF1	(B) OD=40 (NKR66,662,71)								
	8-94399 526-1		SEAT ; SPR	8	0702-	4HG1-T	(B) OD=40 (NKR71 EURO 2)								
72	8-97120 307-0		SEAL ; VALVE GUIDE	8	9312-	4JB1	NHR55	85	8-94433 304-0		BOLT ; BRACKET	3	9312-0701	4JB1	M8X15+M10X 60; L=82 (NHR55)
	8-97120 307-0		SEAL ; VALVE GUIDE	8	0702-	4JB1-TC	NHR/NKR55 EURO 2		8-94433 304-0		BOLT ; BRACKET	3	0702-	4JB1-TC	NHR55, NKR55 EURO 2
	8-97120 167-0		SEAL ; VALVE GUIDE	8	9312-9410	4BE1	NKR 58		1-09000 567-0		BOLT ; BRACKET	6	9312-	4BE1	M 8 X 65 (NKR 58)
	8-97120 167-0		SEAL ; VALVE GUIDE	8	9411-	4BE1	NKR 58		8-94393 131-0		BOLT ; BRACKET	3	9312-0701	4HF1	M 10 X 62 (NKR66, NKR 71)
	8-94396 609-2		SEAL ; VALVE GUIDE	8	9312-	4HF1	(NKR66, NKR66-2, NKR 71)		8-94393 131-0		BOLT ; BRACKET	3	0702-	4HG1-T	NKR71 EURO 2
	8-94396 609-2		SEAL ; VALVE GUIDE	8	0702-	4HG1-T	NKR71 EURO 2	86	9-09164 510-0		WASHER ; ROCKER ARM FIX	1	9312-	4JB1	NHR55, NHR/NKR55 EURO 2
78	8-94152 344-A		ARM ; ROCKER	8	9312-0701	4JB1	NHR55		9-09851 430-0		WASHER ; ROCKER ARM FIX	1	9312-	4BE1	NKR 58
	8-94152 344-A		ARM ; ROCKER	8	0702-	4JB1-TC	NHR/NKR55 EURO 2	87	8-94433 302-0		BOLT ; ROCKER SHAFT	1	9312-0701	4JB1	M 10 X 60 (NHR55)
	1-12611 249-0		ARM ; ROCKER	8	9312-	4BE1	NKR 58		8-94433 302-0		BOLT ; ROCKER SHAFT	1	0702-	4JB1-TC	M 10 X 60 (NHR/NKR55 E2)
	8-97014 258-2		ARM ; ROCKER	4	9312-	4HF1	(B) NKR66, NKR 71		0-28050 835-0		BOLT ; ROCKER SHAFT	2	9312-	4HF1	M 8 X 35 FLANGE BOLT (NKR66, NKR66-2, NKR 71)
	8-97014 258-2		ARM ; ROCKER	4	0702-	4HG1-T	(B) NKR71 EURO 2		0-28050 835-0		BOLT ; ROCKER SHAFT	2	0702-	4HG1-T	M 8 X 35 FLANGE BOLT NKR71 EURO 2
	8-97074 614-1		ARM ; ROCKER	4	9312-0701	4HF1	(A) NKR66, NKR 71								
	8-97074 614-1		ARM ; ROCKER	4	0702-	4HG1-T	(A) NKR71 EURO 2	88	8-97071 673-0		ROD ; PUSH	8	9312-0701	4JB1	NHR55
79	9-09180 019-0		RING ; SNAP, RR END, ROCKER SHAFT	1	9312-	4BE1	NKR 58		8-97071 673-0		ROD ; PUSH	8	0702-	4JB1-TC	NHR/NKR55 EURO 2
									8-94146 132-0		ROD ; PUSH	8	9312-	4BE1	NKR 58
81	8-94152 283-A		SCREW ; ADJ, ROCKER ARM	8	9312-0701	4JB1	M 8 X 30 (NHR55)	89	8-94438 305-1		TAPPET ; VALVE	8	9312-0701	4JB1	NHR55
	8-94152 283-A		SCREW ; ADJ, ROCKER ARM	8	0702-	4JB1-TC	M 8 X 30 (NHR55,NKR55 E2)		8-94438 305-1		TAPPET ; VALVE	8	0702-	4JB1-TC	NHR/NKR55 EURO 2
	9-12616 042-0		SCREW ; ADJ, ROCKER ARM	8	9312-	4BE1	NKR 58		8-94366 277-2		TAPPET ; VALVE	8	9312-	4BE1	NKR 58
	8-94367 526-2		SCREW ; ADJ, ROCKER ARM	8	9312-0701	4HF1	NKR66, NKR 71								
	8-94367 526-2		SCREW ; ADJ, ROCKER ARM	8	0702-	4HG1-T	NKR71 EURO 2	93	1-09400 116-0		NUT ; BRKT	3	9312-	4BE1	NKR 58

FIG.NO : 0-14 CAMSHAFT AND VALVE

KEY NO	PART NUMBER	I T C	DESCRIPTION	QTY	APPLIED DATE	MODEL	REMARKS	KEY NO	PART NUMBER	I T C	DESCRIPTION	QTY	APPLIED DATE	MODEL	REMARKS
94	9-09851 430-0		WASHER ; PL, BRKT	3	9312-	4BE1	NKR 58	106	5-12519 002-1		WASHER; IDLE GEAR SHAFT	1	9312-	4JB1	ID = 13 OD = 36 , NHR55
95	8-94341 905-A		SPRING ; ROCKER SHAFT	3	9312-	4JB1	NHR55	107	8-94139 758-1		SHAFT ; IDLE GEAR	1	9312-	4JB1	EXC. TURBOCHARGER, NHR55
	8-94341 905-A		SPRING ; ROCKER SHAFT	3	0702-	4JB1-TC	NHR/NKR55 EURO 2		8-97920 007-0		SHAFT ; IDLE GEAR	1	0702-	4JB1-TC	NHR/NKR55 EURO2, TURBO
	1-09580 335-0		SPRING ; ROCKER SHAFT	3	9312-	4BE1	NKR 58		9-12531 030-0	A	SHAFT ; IDLE GEAR	1	9312-9402	4BE1	NKR 58
	8-94397 263-0		SPRING ; ROCKER SHAFT	4	9312-	4HF1	(NKR66, NKR 71)		8-97101 281-0	C	SHAFT ; IDLE GEAR	1	9403-9804	4BE1	NKR 58
	8-94397 263-0		SPRING ; ROCKER SHAFT	4	0702-	4HG1-T	NKR71 EURO 2		9-12531 030-0		SHAFT ; IDLE GEAR	1	9805-	4BE1	NKR 58
101	8-94150 045-1		BOLT ; THRUST COLLAR	2	9312-9904	4JB1	M 8 X 55 (NHR55)		8-94334 682-0		SHAFT ; IDLE GEAR	1	9312-	4HF1	(A) NKR66, NKR66-2,NKR71
	8-97223 999-0		BOLT ; THRUST COLLAR	2	9905-	4JB1	M 8 X 53 FLANGE (NHR55)		8-94334 682-0		SHAFT ; IDLE GEAR	1	0702-	4HG1-T	(A) NKR71 EURO2
	8-97223 999-0		BOLT ; THRUST COLLAR	2	0702-	4JB1-TC	NHR/NKR55 EURO 2		8-97065 555-1	A	SHAFT ; IDLE GEAR	1	9312-9711	4HF1	(B) NKR66
	5-09030 038-1		BOLT ; THRUST COLLAR	2	9312-	4BE1	M 10 X 55 (NKR 58)		8-97186 398-1		SHAFT ; IDLE GEAR	1	9712-	4HF1	(B) NKR66, NKR66-2,NKR71
	8-94372 221-1		BOLT ; THRUST COLLAR	1	9312-	4HF1	(A) M14X36.5 (NKR66, NKR66-2, NKR 71)		8-97186 398-1		SHAFT ; IDLE GEAR	1	0702-	4HG1-T	(B) NKR71 EURO 2
	8-97113 167-0		BOLT ; THRUST COLLAR	1	9312-9405	4HF1	(D) M 14 X 65 (NKR66)		8-97350 021-0		SHAFT ; IDLE GEAR	1	9312-9711	4HF1	(C) NKR66
	8-97113 167-0		BOLT ; THRUST COLLAR	1	9406-	4HF1	(D) M14X65 (NKR66, NKR66-2, NKR 71)		8-97350 021-0		SHAFT ; IDLE GEAR	1	9712-	4HF1	(C) NKR66, NKR66-2
	8-97073 782-0		BOLT ; THRUST COLLAR	3	9312-	4HF1	(B) M 8 X 14 (NKR66, NKR 71)		8-97350 021-0		SHAFT ; IDLE GEAR	1	0211-	4HG1	(C) NKR66, NKR66-2,NKR71
	9-92361 430-0		BOLT ; THRUST COLLAR	1	9312-9711	4HF1	(C) M 14 X 30 (NKR66)		8-97350 021-0		SHAFT ; IDLE GEAR	1	0702-	4HG1-T	(C) NKR71 EURO 2
	9-92361 425-0		BOLT ; THRUST COLLAR	1	9712-	4HF1	(C) M14X25 (NKR66,NKR66 -2,NKR 71)		8-98060 780-0	C	SHAFT ; IDLE GEAR	1	9312-9406	4HF1	(D) NKR66
	0-28060 816-0		BOLT ; THRUST COLLAR	3	0204-	4HF1	(C) M8 X 16 FLANGE (NKR66,NKR66 -2,NKR 71)		8-98060 780-0		SHAFT ; IDLE GEAR	1	9407-	4HF1	(D) NKR66, NKR66-2,NKR71
	0-28060 816-0		BOLT ; THRUST COLLAR	3	0702-	4HG1-T	(B) M8 X 16 FLANGE NKR71 EURO 2		8-98060 780-0		SHAFT ; IDLE GEAR	1	0702-	4HG1-T	(D) NKR71 EURO 2
	8-94372 221-1		BOLT ; THRUST COLLAR	3	0702-	4HG1-T	(A) M14 X 36,5 FLANGE NKR71 EURO 2	109	8-94109 913-1		SHAFT ; IDLE GEAR	1	9312-	4JB1	EXC. TURBOCHARGER, NHR55
	9-92361 425-0		BOLT ; THRUST COLLAR	3	0702-	4HG1-T	(C) M14 X 25 FLANGE NKR71 EURO 2		8-97218 780-0		SHAFT ; IDLE GEAR	1	0702-	4JB1-TC	NHR/NKR55 EURO 2
102	8-94334 681-1		COVER ; IDLE GEAR	1	9312-	4HF1	(A) NKR66, NKR66-2, NKR71	111	8-97912 650-0		COLLAR ; THRUST, IDLE GEAR	1	9612-0309	4JB1	NHR55
	8-94334 681-1		COVER ; IDLE GEAR	1	0702-	4HG1-T	(A) NKR71 EURO 2		8-94141 937-1		COLLAR ; THRUST, IDLE GEAR	1	0310-	4JB1	NHR55
	8-97096 826-0		COVER ; IDLE GEAR	1	9312-	4HF1	(B) OD=51(NKR66,NKR66-2,NKR 71)		8-94141 937-1		COLLAR ; THRUST, IDLE GEAR	1	0702-	4JB1-TC	NHR/NKR55 EURO 2
	8-97096 826-0		COVER ; IDLE GEAR	1	0702-	4HG1-T	(A) NKR71 EURO 2		5-12535 001-1		COLLAR ; THRUST, IDLE GEAR	1	9312-	4BE1	NKR 58
104	8-94109 706-1		BOLT ; SHAFT IDLE	1	9312-	4JB1	NHR55, NHR/NKR55 EURO 2		8-97209 728-2		COLLAR ; THRUST, IDLE GEAR	1	9312-	4HF1	NKR66, NKR66-2, NKR 71
105	0-16956 460-0		BOLT ; IDLE GEAR SHAFT	1	9312-	4HF1	M 14 X 60 (NKR66, NKR 71)		8-97912 650-0		COLLAR ; THRUST, IDLE GEAR	1	0702-	4JB1-TC	NKR55 EURO2
	0-16956 460-0		BOLT ; IDLE GEAR SHAFT	1	0702-	4HG1-T	NKR71 EURO 2		8-97209 728-2		COLLAR ; THRUST, IDLE GEAR	1	0702-	4JB1-TC	NKR71 EURO2

FIG.NO : 0-14 CAMSHAFT AND VALVE

KEY NO	PART NUMBER	I T C	DESCRIPTION	QTY	APPLIED DATE	MODEL	REMARKS	KEY NO	PART NUMBER	I T C	DESCRIPTION	QTY	APPLIED DATE	MODEL	REMARKS	
112	8-97164 773-0	C	GEAR ; IDLE	1	9312-	4JB1	Z = 31 (NHR55)	223	1-09623 423-0		GASKET ; COVER, IDLE GEAR	1	9312-	4HF1	NKR66 (ID = 105.6)	
	8-97229 601-0		GEAR ; IDLE	1	0702-	4JB1-TC	Z = 31 (NHR55 EURO 2)		1-09623 423-0		GASKET ; COVER, IDLE GEAR	1	0301-	4HF1	NKR66, NKR66-2, NKR 71	
	9-12523 801-4		GEAR ; IDLE	1	9312-	4BE1	Z = 51 (NKR 58)		1-09623 423-0		GASKET ; COVER, IDLE GEAR	1	0702-	4HG1-T	NKR71 EURO 2	
	8-94341 671-4		GEAR ; IDLE	1	9312-	4HF1	(B) , Z = 34 (NKR66)									
	8-94396 834-1		GEAR ; IDLE	1	9312-9408	4HF1	(D) Z = 41 (NKR66)									
	8-97112 607-1		GEAR ; IDLE	1	9409-9510	4HF1	(D) Z = 41 (NKR66)									
	8-97088 055-2		GEAR ; IDLE	1	9511-	4HF1	(D) Z = 82 (NKR66, NKR66-2, NKR 71)									
	8-97112 607-1		GEAR ; IDLE	1	0702-	4HG1-T	(D) NKR71 EURO2 , Z=41		224		0-28080 814-0	BOLT ; COVER	4	9312-9606	4HF1	M 8 X14
	8-97094 544-1		GEAR ; IDLE	1	9312-9510	4HF1	(A) NKR66 , Z=72-30		0-28050 816-0		BOLT ; COVER	2	9607-	4HF1	M 8 X14 (NKR66, NKR66-2, NKR 71)	
	8-97114 602-1		GEAR ; IDLE	1	9511-9902	4HF1	(A) NKR66 , Z=72-60		0-28050 816-0		BOLT ; COVER	2	0702-	4HG1-T	M 8 X14 NKR71 EURO 2	
	8-97227 213-0		GEAR ; IDLE	1	9903-	4HF1	(A) Z=72-60 (NKR66, NKR66-2, NKR 71)		0-28080 814-0		BOLT ; COVER	4	0702-	4JB1-TC	M 8 X14 , NKR55 EURO2	
	8-97094 546-2		GEAR ; IDLE	1	9312-9510	4HF1	(C) NKR66 , Z=61									
	8-97088 053-2		GEAR ; IDLE	1	9511-	4HF1	(C) Z=122 (NKR66, NKR66-2, NKR 71)		305		8-94110 271-0	BEARING IDLE GEAR	1	9712-	4JB1	NHR55 EXC. TURBOCHARGER
	8-97094 546-2		GEAR ; IDLE	1	0702-	4HG1-T	(C) NKR71 EURO2 , Z=61		8-98140 110-0		BEARING IDLE GEAR	1	0702-	4JB1-TC	NHR,NKR55 EURO 2	
8-97227 074-0	GEAR ; IDLE	1	0702-	4HG1-T	(A) NKR71 EURO2 , Z=72-30											
8-97120 005-1	GEAR ; IDLE	1	0702-	4HG1-T	(B) NKR71 EURO2 , Z=34											
113	8-94369 642-0		GEAR ; IDLE	1	9312-	4JB1	NHR55 , Z=37									
	8-98140 217-0		GEAR ; IDLE	1	0702-	4JB1-TC	NHR/NKR55 EURO 2 , Z=37									
117	8-97113 167-0		BOLT ; FLANGE	1	0702-	4HG1-T	NKR71 EURO2									
206	1-12528 006-0		BUSHING ; GEAR, IDLE	1	9312-	4HF1	(A) NKR66									
	1-12528 006-0		BUSHING ; GEAR, IDLE	1	0702-	4HG1-TC	(A) NKR71 EURO 2									
	8-97606 768-0		BUSHING ; GEAR, IDLE	1	9312-	4HF1	(B) NKR66									
	8-97606 768-0		BUSHING ; GEAR, IDLE	1	0702-	4HG1-TC	(B) NKR71 EURO 2									
	8-97112 608-0		BUSHING ; GEAR, IDLE	1	9409-	4HF1	(C) NKR66									
	8-97112 608-0		BUSHING ; GEAR, IDLE	1	0702-	4HG1-TC	(C) NKR71 EURO 2									