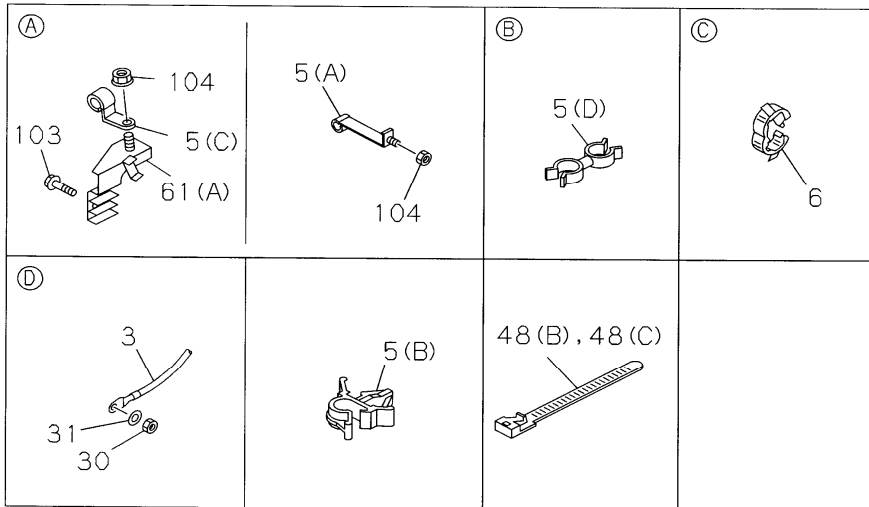
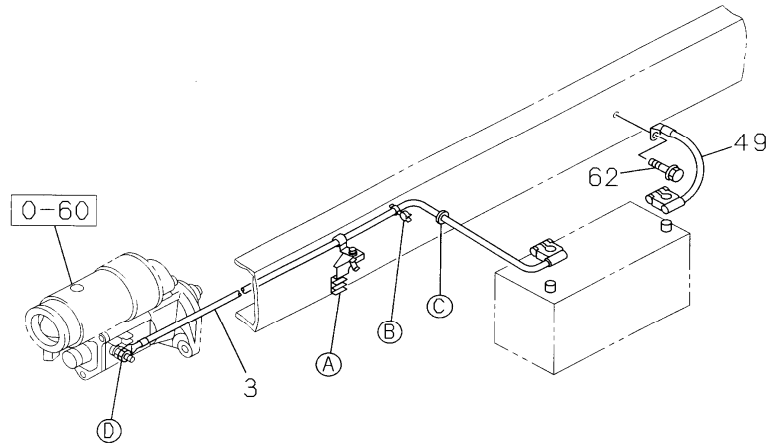


FIG.NO : 0-61 BATTERY AND BATTERY CABLE

4JB1, 4JB1-TC



4HF1, 4HG1, 4HG1-TC

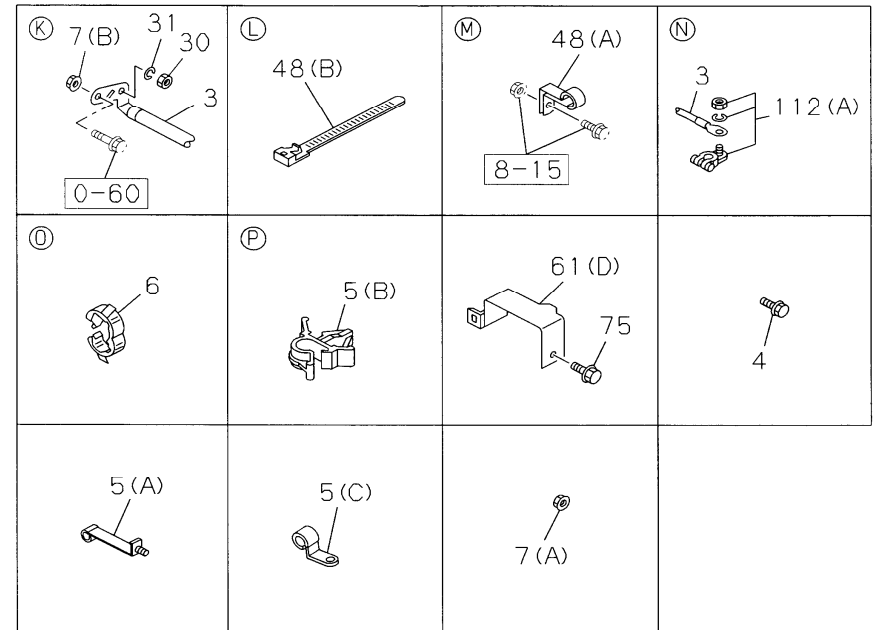
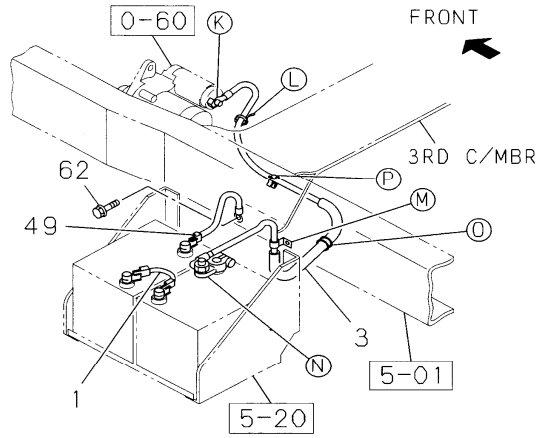


FIG.NO : 0-61 BATTERY AND BATTERY CABLE

KEY NO	PART NUMBER	I T C	DESCRIPTION	QTY	APPLIED DATE	MODEL	REMARKS	KEY NO	PART NUMBER	I T C	DESCRIPTION	QTY	APPLIED DATE	MODEL	REMARKS	
1	7-42400 206-A		CABLE ; BATTERY (+	1	9312-	4BE1	NKR 58	5	8-97015 782-1		CLIP ; BATTERY CABLE TO BC	1	9312-	4JB1	(E) NHR 55	
	8-97230 719-2		CABLE ; BATTERY (+	1	0106-	4HF1	NKR 66		8-94167 740-0		CLIP ; BATTERY CABLE TO BC	1	9312-	4BE1	(A) NKR 58	
	7-42400 206-A		CABLE ; BATTERY (+	1	0702-1207	4HG1-T	NKR71-T, NKR71-THD EURO 2		8-94318 404-0		CLIP ; BATTERY CABLE TO BC	1	9312-	4BE1	(B) NKR 58	
	7-42400 206-A		CABLE ; BATTERY (+	1	1208-	4HG1-T	NKR71 EURO 2, HARIMAU		8-94154 844-0		CLIP ; BATTERY CABLE TO BC	1	0106-	4HF1	(D) NKR 66,NKR 66-2, NKR 71	
3	7-42400 213-A		HARNESS ; CABLE, BATTERY TO STARTER	1	9312-9402	4JB1	NHR 55	6	8-94128 319-A		GROMMET ; BATTERY CABLE	1	9312-	4JB1	NHR 55	
	7-42400 213-A		HARNESS ; CABLE, BATTERY TO STARTER	1	9403-	4JB1	NHR 55		8-94128 319-A		GROMMET ; BATTERY CABLE	1	9312-	4BE1	NKR 58, NKR 66, NKR 71	
	7-42400 213-A		HARNESS ; CABLE, BATTERY TO STARTER	1	9904-	4JB1	NHR 55 24V	7	0-91180 106-0		NUT ; (+) CABLE	1	9312-	4BE1	NKR 58	
	7-42400 203-A		HARNESS ; CABLE, BATTERY TO STARTER	1	0702-1010	4JB1-TC	NHR55-T/B, NKR55-T, EURO 2 NKR55-B/B-(LWB)		0-91110 508-0		NUT ; (+) CABLE	1	9312-	4HF1	NKR 66	
	7-42400 203-A		HARNESS ; CABLE, BATTERY TO STARTER	1	1011-	4JB1-TC	NHR55-T/B, NKR55-T, E2 GOLD NKR55-B/B-(LWB)		0-91110 508-0		NUT ; (+) CABLE	1	0211-	4HF1	M8 (NKR 66, NKR 71)	
	7-42510 210-A		HARNESS ; CABLE, BATTERY TO STARTER	1	1011-	4JB1-TC	NKR55L-T 6T GOLD		7-42400 204-A		NUT ; (+) CABLE	1	0702-	4JB1-TC	NHR/NKR55 EURO 2	
	7-42400 202-A		HARNESS ; CABLE, BATTERY TO STARTER	1	9312-	4BE1	NKR 58		7-42520 210-A		NUT ; (+) CABLE	1	0702-	4JB1-TC	NKR55 L-6T EURO 2	
	7-42400 202-A		HARNESS ; CABLE, BATTERY TO STARTER	1	9312-	4HF1	NKR 66	7-42400 212-A		NUT ; (+) CABLE	1	0702-1207	4HG1-T	NKR71 EURO 2		
	7-42400 213-A		HARNESS ; CABLE, BATTERY TO STARTER	1	0108-0701	4HF1	NKR 66, NKR 66-2	7-42400 212-A		NUT ; (+) CABLE	1	1208-	4HG1-T	NKR71 EURO 2, HARIMAU		
	7-42400 213-A		HARNESS ; CABLE, BATTERY TO STARTER	1	0702-1010	4HG1-T	NKR71-T, NKR71-THD EURO 2	30	0-91110 508-0		NUT ; CABLE, STARTER TO BATTERY	1	9312-	4JB1	NHR 55	
	7-42400 213-A		HARNESS ; CABLE, BATTERY TO STARTER	1	1011-1207	4HG1-T	NKR71-T,NKR71-THD E2 GOLD		0-91110 508-0		NUT ; CABLE, STARTER TO BATTERY	1	9312-	4BE1	NKR 58, NKR 66	
	7-42400 213-A		HARNESS ; CABLE, BATTERY TO STARTER	1	1208-	4HG1-T	NKR71 EURO 2, HARIMAU		0-91110 508-0		NUT ; CABLE, STARTER TO	1	0211-	4HF1	M8 (NKR 66, NKR 71)	
	4	0-28080 625-0		BOLT ; BATTERY CABLE TO B	1	9312-9702	4BE1	M6X25 FLANGE (NKR 58)	31	0-91510 508-0		WASHER ; LK, CABLE, STARTER TO BATTERY	1	9312-	4JB1	NHR 55
		0-28650 625-0		BOLT ; BATTERY CABLE TO B	1	9703-	4HF1-2	M6X25 FLANGE (NKR 66, NKR 66-2, NKR 71)		0-91510 508-0		WASHER ; LK, CABLE, STARTER TO BATTERY	1	9312-	4HF1	NKR 58, NKR 66, NKR 71
48								1-09700 868-0			CLIP ; CABLE	1	9312-	4HF1	(A) NKR 66	
								5-09707 031-1		CLIP ; CABLE	2	9312-	4HF1	(B) NKR 66		
								5-09707 030-1		CLIP ; CABLE	1	0106-	4HF1	(B) L = 140 (NKR 66, NKR 71)		

FIG.NO : 0-61 BATTERY AND BATTERY CABLE

KEY NO	PART NUMBER	I T C	DESCRIPTION	QTY	APPLIED DATE	MODEL	REMARKS
49	7-42400 204-A		CABLE ; BATTERY TO S/MBR F	1	9312-	4JB1	NHR 55
	7-42400 204-A		CABLE ; BATTERY (-)	1	0702-1010	4JB1-TC	NHR55-T/B, NKR55-T, EURO 2 NKR55-B/B-(LWB)
	7-42400 204-A		CABLE ; BATTERY (-)	1	1011-	4JB1-TC	NHR55-T/B, NKR55-T, E2 GOLD NKR55-B/B-(LWB)
	7-42400 212-A		CABLE ; BATTERY TO S/MBR F	1	9312-	4BE1	NKR 58
	7-42400 212-A		CABLE ; BATTERY TO S/MBR F	1	9312-	4HF1	NKR 66
	7-42400 212-A		CABLE ; BATTERY TO S/MBR F	1	0211-	4HF1	L = 200 (NKR 66, NKR 71)
	7-42400 212-A		CABLE ; BATTERY (-)	1	0702-1010	4HG1-T	NKR71-T, NKR71-THD EURO 2
	7-42400 212-A		CABLE ; BATTERY (-)	1	1011-	4HG1-T	NKR71-T, NKR71-THD E2 GOLD
	7-42520 210-A		CABLE ; BATTERY (-)	1	1011-	4JB1-TC	NKR55L-T 6T GOLD
	62	8-97087 203-0		BOLT ; EARTH CABLE FIX	1	9312-	4JB1
8-97087 203-0			BOLT ; EARTH CABLE FIX	1	9312-	4BE1	NKR 58
8-97087 203-0			BOLT ; EARTH CABLE FIX	1	9312-	4HF1	NKR 66, NKR 71
103	0-28050 620-0		BOLT ; BATTERY CABLE	1	9312-	4JB1	(A) NHR 55
	0-28080 625-0		BOLT ; BATTERY CABLE	1	9312-	4JB1	(B) NHR 55
104	0-91180 208-0		NUT ; BATTERY CABLE	1	9312-	4JB1	NHR 55
112	8-97356 926-1		TERMINAL ; BATTERY	1	0211-	4JB1	NHR 55
	8-97356 926-1		TERMINAL ; BATTERY	1	0211-	4HF1	NKR 66, NKR 66-2, NKR 71