

FIG.NO : 1-31 AIR DUCT

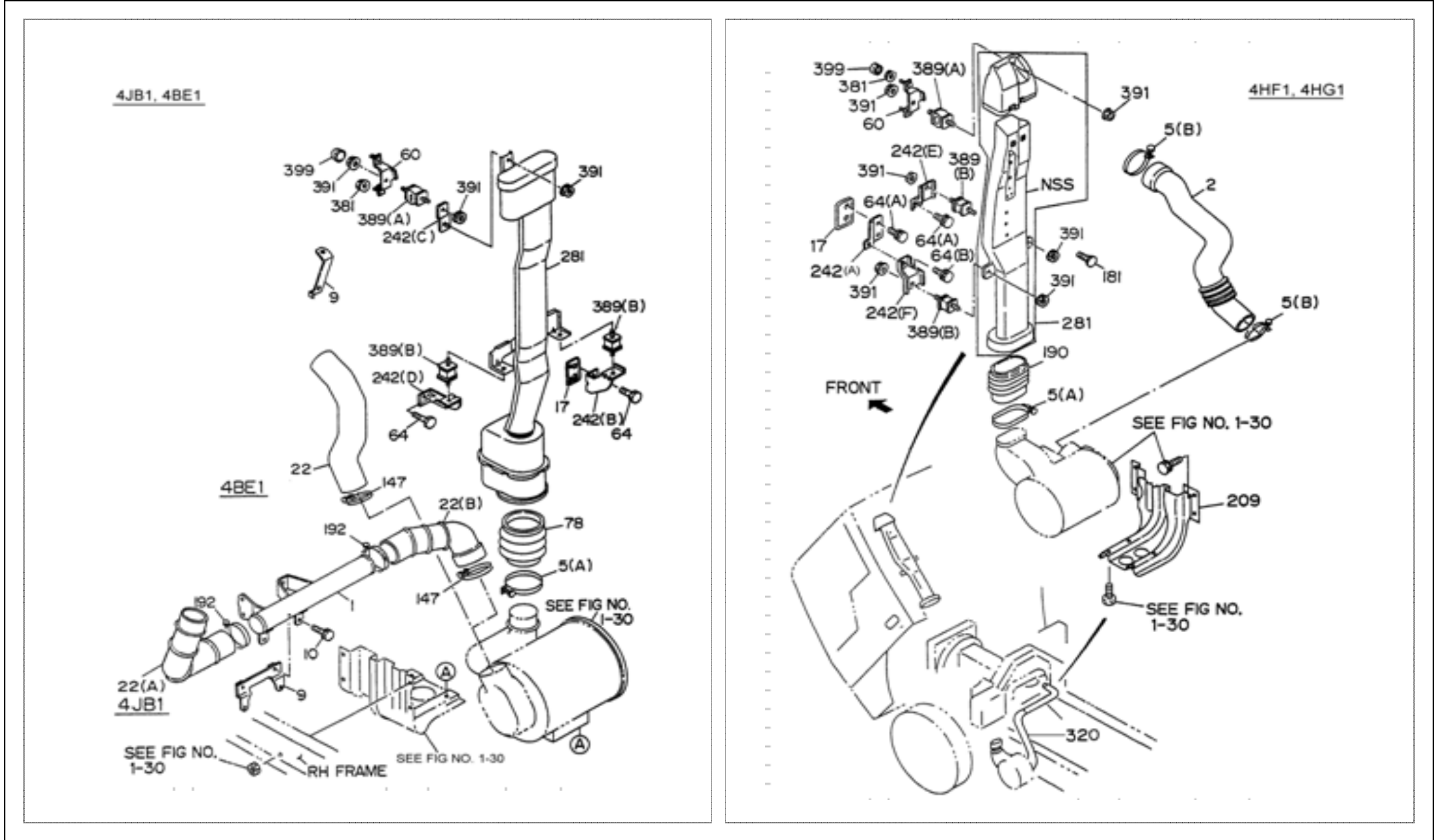
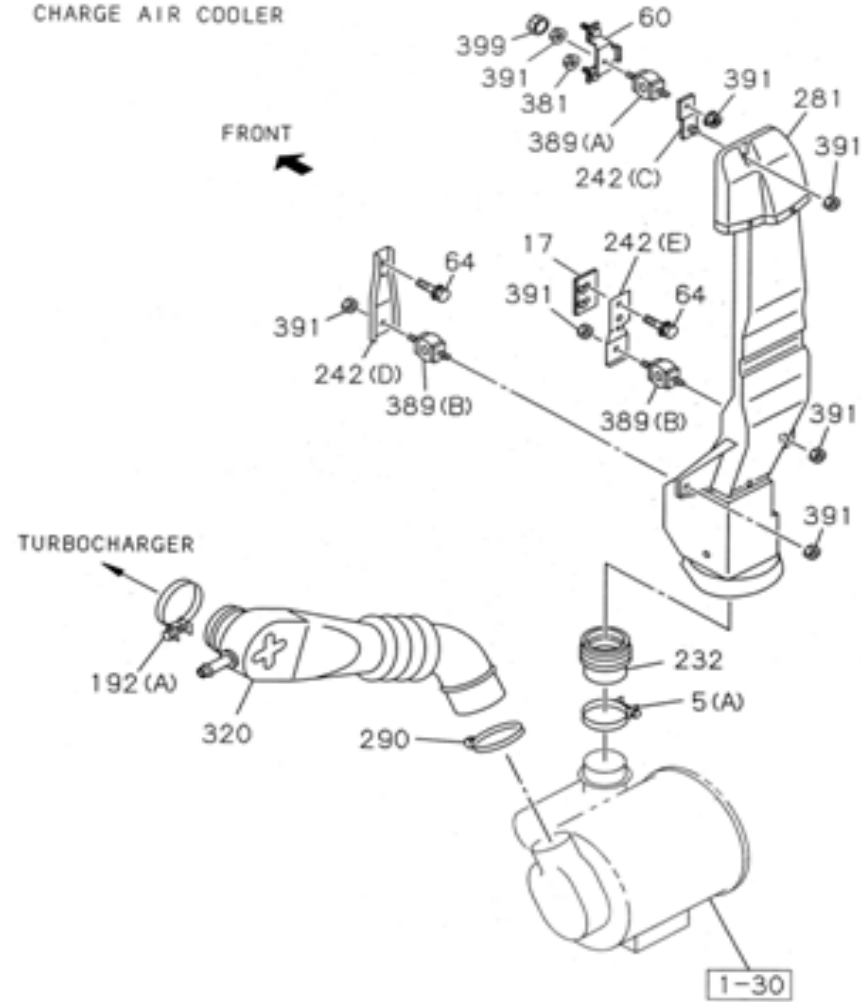


FIG.NO : 1-31 AIR DUCT

4JB1-TC

CHARGE AIR COOLER



4JB1-TC

CHARGE AIR COOLER

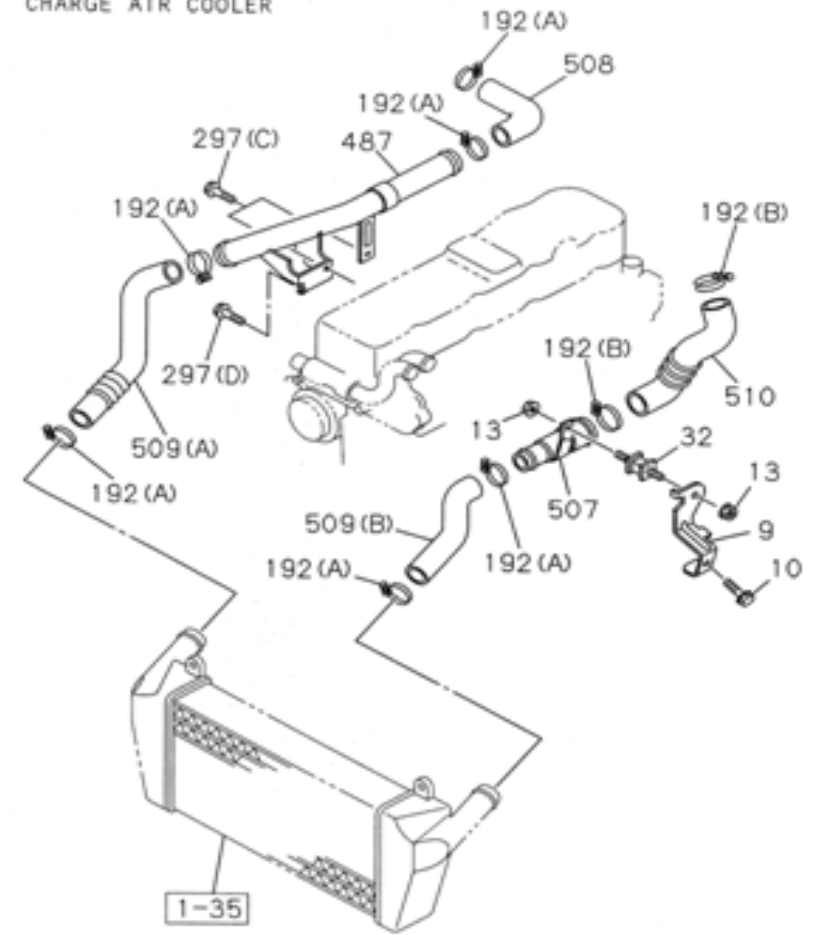
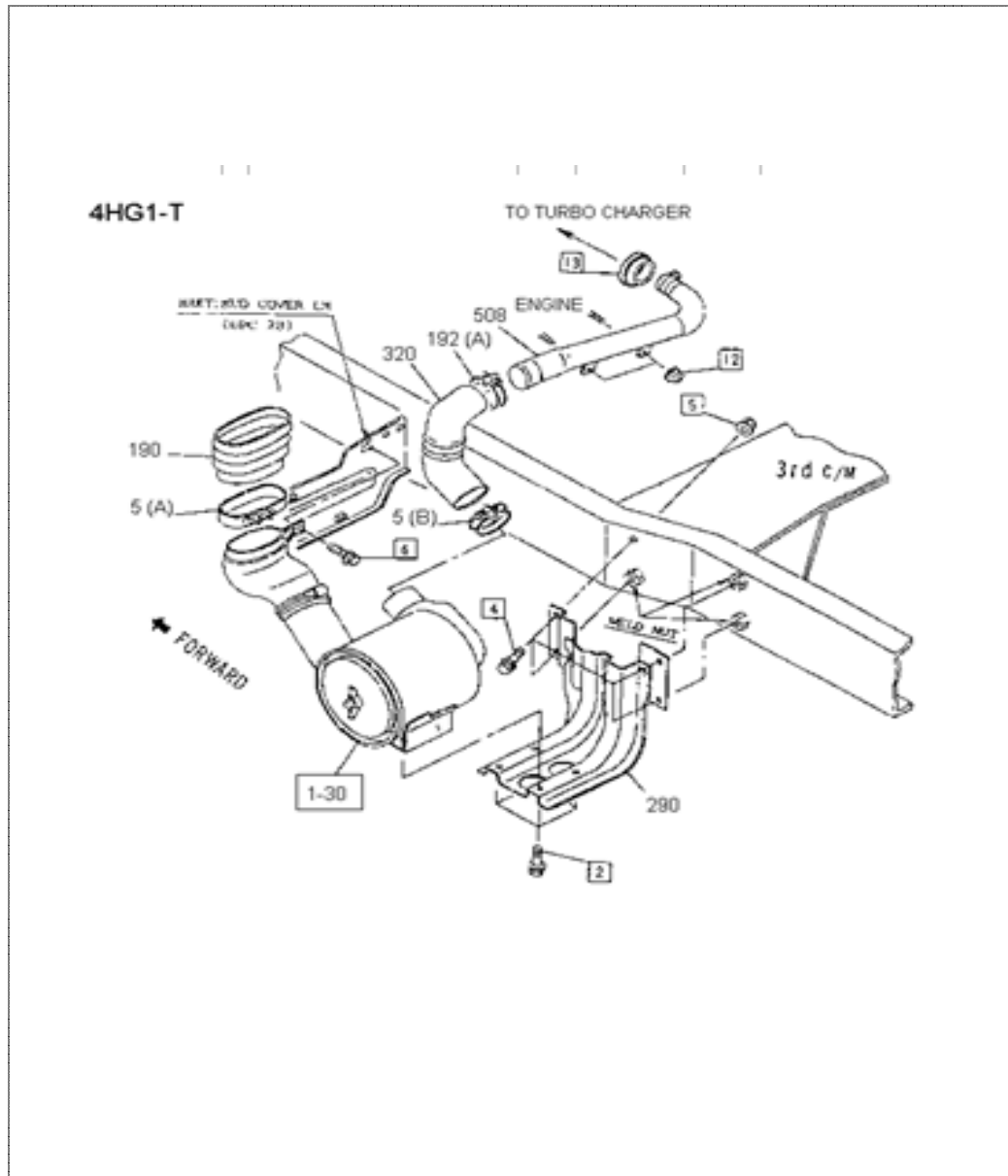


FIG.NO : 1-31 AIR DUCT



KEY NO	PART NUMBER	I T C	DESCRIPTION	QTY	APPLIED DATE	MODEL	REMARKS
1	8-94417 173-1		DUCT ; AIR, INLET	1	9312-	4JB1	NHR 55
2	8-97069 875-1		HOSE ; AIR CLEANER	1	9312-	4HF1	NKR 66, NKR 71
	8-97217 471-0		HOSE ; AIR CLEANER	1	9811-	4HF1-2	NKR 66-2
5	8-97087 432-0		CLIP ; AIR DUCT	1	9312-	4JB1	(A) NHR 55
	8-97087 432-0		CLIP ; AIR DUCT	1	9312-	4BE1	(A) NKR 58
	8-97087 432-0		CLIP ; AIR DUCT	1	0702-	4JB1-TC	NHR55/NKR55
	9-09915 502-1		CLIP ; AIR DUCT	1	9312-	4HF1	(A) NKR 66, NKR 66-2 TRUK, NKR 71
	9-09915 502-1		CLIP ; AIR DUCT	1	0702-	4HG1-T	(A) , NKR71 EURO2
	9-09915 733-1		CLIP ; AIR DUCT	1	9312-	4HF1	(B) NKR 66, NKR 66-2, NKR 71
	9-09915 733-1		CLIP ; AIR DUCT	1	0702-	4HG1-T	(B) , NKR71 EURO2
9	8-94155 425-1		BRACKET ; INLET PIPE	1	9312-	4JB1	NHR 55
	8-97035 698-0		BRACKET ; INLET PIPE	1	9312-	4BE1	NKR 58
	8-97226 059-0		BRACKET ; INLET PIPE	1	0702-	4JB1-TC	(E) , NHR55/NKR55
10	0-50040 814-0		BOLT ; BRACKET FIX	1	9312-	4JB1	NHR 55
	0-50041 020-0		BOLT ; BRACKET FIX	2	9312-	4JB1	NHR 55
	0-28050 812-0		BOLT ; BRACKET FIX	1	0702-	4JB1-TC	NHR55/NKR55
13	0-91180 108-0		NUT; BRKT FIX	2	0702-	4JB1-TC	NHR55/NKR55
17	8-97853 699-2		GASKET ; AIR DUCT	1	9312-	4JB1	NHR 55
	8-97853 699-2		GASKET ; AIR DUCT	1	9312-	4BE1	NKR 58
	8-97853 699-2		GASKET ; AIR DUCT	1	9312-	4HF1	NKR 66, NKR 66-2 TRUK, NKR 71
	8-97853 699-2		GASKET ; AIR DUCT	1	0702-	4JB1-TC	NHR55/NKR55
22	8-97107 173-0		HOSE ; CONNECTOR, ENG TC	1	9312-	4JB1	(A) NHR 55
	8-94110 075-2		HOSE ; CONNECTOR, ENG TC	1	9312-	4JB1	(B) NHR 55
	8-94313 594-0		HOSE ; CONNECTOR, ENG TC	1	9312-	4BE1	NKR 58
	8-97106 732-0		HOSE ; CONNECTOR, ENG TC	1	9312-	4BE1	NKR 58

FIG.NO : 1-31 AIR DUCT

KEY NO	PART NUMBER	I T C	DESCRIPTION	QTY	APPLIED DATE	MODEL	REMARKS	KEY NO	PART NUMBER	I T C	DESCRIPTION	QTY	APPLIED DATE	MODEL	REMARKS		
60	8-97856 956-1		BRACKET ; AIR DUCT, UPPER	1	9312-	4JB1	(RH) NHR 55	192	9-09915 734-1		CLIP ; HOSE	2	9312-	4JB1	NHR 55		
	8-97856 956-1		BRACKET ; AIR DUCT, UPPER	1	9312-	4BE1	(RH) NKR 58		8-98133 347-0		CLIP ; HOSE	7	0702-	4JB1-TC	(A) , NHR55/NKR55		
	8-97856 957-1		BRACKET ; AIR DUCT, UPPER	1	9312-	4HF1	(LH) NKR 66, NKR 66-2, NKR 71		1-09707 203-0		CLIP ; HOSE	2	0702-	4JB1-TC	(B) , NHR55/NKR55		
	8-97856 956-1		BRACKET ; AIR DUCT, UPPER	1	0702-	4JB1-TC	NHR55/NKR55		8-97087 432-0		CLIP ; HOSE	1	0702-	4HG1-T	(A) , NKR71 EURO2		
64	8-94279 207-0		BOLT ; BRACKET, AIR DUCT	3	9312-	4JB1	(A) NHR 55	209	8-97091 040-1		BRACKET ; AIR CLEANER	1	9312-	4HF1	NKR 66		
	8-94279 207-0		BOLT ; BRACKET, AIR DUCT	3	9312-	4BE1	(A) NKR 58		8-97091 040-1		BRACKET ; AIR CLEANER	1	0702-	4HG1-T	NKR71 EURO2		
	8-94279 207-0		BOLT ; BRACKET, AIR DUCT	3	9312-	4HF1	(A) NKR 66, NKR 71		232	8-97224 994-0		HOSE; CONN	1	0702-	4JB1-TC	NHR55/NKR55	
	1-09980 498-0		BOLT ; BRACKET, AIR DUCT	1	9312-	4HF1	(B) NKR 66			242	8-97856 935-0		BRACKET ; AIR DUCT	1	9312-	4JB1	(B) NHR 55
	8-94279 207-0		BOLT ; BRACKET, AIR DUCT	3	0702-	4JB1-TC	NHR55/NKR55				8-97856 935-0		BRACKET ; AIR DUCT	1	9312-	4BE1	(B) NKR 58
78	5-14231 115-1		HOSE ; INT SILENCER TO AIR CLEANER	1	9312-	4JB1	NHR 55	8-97856 958-0		BRACKET ; AIR DUCT	1	9312-	4JB1	(C) NHR 55			
	5-14231 115-1		HOSE ; INT SILENCER TO AIR CLEANER	1	9312-	4BE1	NKR 58	8-97856 958-0		BRACKET ; AIR DUCT	1	9312-	4BE1	(C) NKR 58			
147	9-09915 734-1		CLIP ; HOSE TO ENGINE	1	9312-	4JB1	NHR 55	8-97856 967-1		BRACKET ; AIR DUCT	1	9312-	4JB1	(A) NHR 55			
	9-09915 734-1		CLIP ; HOSE TO ENGINE	1	9312-	4BE1	NKR 58	8-97856 967-1		BRACKET ; AIR DUCT	1	9312-	4BE1	(A) NKR 58			
181	0-28280 816-0		BOLT ; AIR DUCT TO RAD	1	9312-	4HF1	NKR 66	8-97853 633-1		BRACKET ; AIR DUCT	1	9312-	4HF1	(E) NKR 66, NKR 66-2, NKR 71			
	0-28680 825-0		BOLT ; AIR DUCT TO RAD	1	9811-	4HF1	M8X25 FLANGE (NKR 66, NKR 66-2, NKR 71)	8-97853 634-0		BRACKET ; AIR DUCT	1	9312-	4HF1	(F) NKR 66			
190	8-97109 423-0		HOSE ; CONNECTOR, DUCT TO AIR CLEANER	1	9312-	4HF1	NKR 66	8-97853 635-1		BRACKET ; AIR DUCT	1	9312-	4HF1	(A) NKR 66			
	8-97109 423-0		HOSE ; CONNECTOR, DUCT TO AIR CLEANER	1	0702-	4HG1-T	NKR71 EURO2	8-97857 844-0		BRACKET ; AIR DUCT	1	9811-	4HF1	(D) NKR 66, NKR 66-2, NKR 71			
	8-97224 994-A		HOSE ; CONNECTOR, DUCT TO AIR CLEANER	1	0702-	4JB1-TC	NHR55T/NKR55T	8-97857 844-0		BRACKET ; AIR DUCT	1	0702-	4JB1-TC	(C) , NHR55/NKR55			
	7-33336 015-A		HOSE ; CONNECTOR, DUCT TO AIR CLEANER	1	0702-	4JB1-TC	NHR55B/NKR55B (NPNENG6015)	8-97856 958-0		BRACKET ; AIR DUCT	1	0702-	4JB1-TC	(E) , NHR55/NKR55			
			HOSE ; CONNECTOR, DUCT TO AIR CLEANER	1	0702-	4JB1-TC	NHR55B/NKR55B (NPNENG6015)	8-97856 932-0		BRACKET ; AIR DUCT	1	0702-	4JB1-TC	(E) , NHR55/NKR55			
		HOSE ; CONNECTOR, DUCT TO AIR CLEANER	1	0702-	4JB1-TC	NHR55B/NKR55B (NPNENG6015)	8-97856 933-0		BRACKET ; AIR DUCT	1	0702-	4JB1-TC	(D) , NHR55/NKR55				
281	8-97076 959-2		DUCT ; AIR, VERTICAL INT	1	9312-	4JB1	NHR 55	C	8-97076 959-2		DUCT ; AIR, VERTICAL INT	1	9312-	4JB1	NHR 55		
	7-11127 020-A		DUCT ; AIR, VERTICAL INT	1	0005-	4JB1	NHR 55, NPN-ENG-7020		8-97076 959-2		DUCT ; AIR, VERTICAL INT	1	9312-	4BE1	NKR 58		
	8-97076 959-2		DUCT ; AIR, VERTICAL INT	1	9312-	4BE1	NKR 58		8-97108 552-0		DUCT ; AIR, VERTICAL INT	1	9312-	4HF1	NKR 66		
	8-97108 552-0		DUCT ; AIR, VERTICAL INT	1	9811-0210	4HF1	NKR 66, NKR 66-2		8-97161 847-0		DUCT ; AIR, VERTICAL INT	1	9811-0210	4HF1	NKR 66, NKR 66-2		
	8-97161 847-0		DUCT ; AIR, VERTICAL INT	1	0211-	4HF1	NKR 66, NKR 66-2TRUK, NKR 71		8-97161 847-1		DUCT ; AIR, VERTICAL INT	1	0211-	4HF1	NKR 66, NKR 66-2TRUK, NKR 71		
	7-57310 215-A		DUCT ; AIR, VERTICAL INT	1	0702-	4JB1-TC	NHR55-B, NKR55-B, NKR55-LWB		7-57310 215-A		DUCT ; AIR, VERTICAL INT	1	0702-	4JB1-TC	NHR55-B, NKR55-B, NKR55-LWB		
	8-94313 520-3		DUCT ; AIR, VERTICAL INT	1	0702-	4JB1-TC	NHR55-T, NKR55-T		8-94313 520-3		DUCT ; AIR, VERTICAL INT	1	0702-	4JB1-TC	NHR55-T, NKR55-T		
8-97125 174-2		DUCT ; AIR, VERTICAL INT	1	0702-	4HG1-T	NKR55L-T, NKR71-T/THD	8-97125 174-2		DUCT ; AIR, VERTICAL INT	1	0702-	4HG1-T	NKR55L-T, NKR71-T/THD				

FIG.NO : 1-31 AIR DUCT

KEY NO	PART NUMBER	I T C	DESCRIPTION	QTY	APPLIED DATE	MODEL	REMARKS	KEY NO	PART NUMBER	I T C	DESCRIPTION	QTY	APPLIED DATE	MODEL	REMARKS
290	8-97087 432-0		C LIP; ACL TO AIR DUCT	1	0702-	4JB1-TC	NHR55/NKR55	487	8-97216 223-0		PIPE;INTAKE,TURB	1	0702-	4JB1-TC	NHR55/NKR55
297	0-28050 812-0		BOLT; DUCT	2	0702-	4JB1-TC	(C) , NHR55/NKR55	507	8-97228 660-0		PIPE; CHARGE AIR COOLER	1	0702-	4JB1-TC	NHR55/NKR55
	0-28051 012-0		BOLT; DUCT	2	0702-	4JB1-TC	(D) , NHR55/NKR55	508	8-97217 911-3	C	HOSE; AIR,TURBO TO PIPE	1	0702-1211	4JB1-TC	NHR55/NKR55
									7-57240 213-A		HOSE; AIR,TURBO TO PIPE	1	1212-	4JB1-TC	NHR55/NKR55
320	8-97178 749-1		HOSE;CONNECTING	1	0702-	4HG1-T	NKR71 EURO2		8-97178 748-3		HOSE; AIR,TURBO TO PIPE	1	0702-	4HG1-T	NKR71 EURO2
	8-97205 771-0		HOSE;CONNECTING	1	0702-	4JB1-TC	NHR55/NKR55	509	8-97221 914-3		HOSE; AIR, PIPE TO CHARGE	1	0702-	4JB1-TC	(A) , NHR55/NKR55
									8-97228 657-1		HOSE; AIR, PIPE TO CHARGE	1	0702-	4JB1-TC	(B) , NHR55/NKR55
381	1-09984 018-0		NUT ; BRACKET, AIR DUCT	2	9312-	4JB1	NHR 55	510	8-97228 658-1		HOSE;AIR,PIPE TO INL MANIF	1	0702-	4JB1-TC	NHR55/NKR55
	1-09984 018-0		NUT ; BRACKET, AIR DUCT	2	9312-	4BE1	NKR 58								
	1-09984 018-0		NUT ; BRACKET, AIR DUCT	2	9312-	4HF1	NKR 66, NKR 66-2TRUK, NKR 71								
	1-09984 018-0		NUT ; BRACKET, AIR DUCT	2	0702-	4JB1-TC	NHR55/NKR55								
389	8-97080 149-A		RUBBER; SUPPORT, AIR INT	1	9312-	4JB1	(A) NHR 55								
	8-97080 149-A		RUBBER; SUPPORT, AIR INT	1	9312-	4BE1	(A) NKR 58								
	8-97080 149-A		RUBBER; SUPPORT, AIR INT	1	9312-	4HF1	(A) NKR 66, NKR 66-2, NKR 71								
	8-97080 149-A		RUBBER; SUPPORT, AIR INT	1	0702-	4HG1-T	(A) NKR71 EURO2								
	8-97081 886-A		RUBBER; SUPPORT, AIR INT	2	9312-	4JB1	(B) NHR 55								
	8-97081 886-A		RUBBER; SUPPORT, AIR INT	2	9312-	4BE1	(B) NKR 58								
	8-97081 886-A		RUBBER; SUPPORT, AIR INT	2	9312-	4HF1	(B) NKR 66, NKR 66-2, NKR 71								
	8-97081 886-A		RUBBER; SUPPORT, AIR INT	2	0702-	4JB1-TC	(B) NHR55/NKR55								
391	8-94279 517-0		NUT ; SUPPORT RUBBER, UP	8	9312-	4JB1	NHR 55								
	8-94279 517-0		NUT ; SUPPORT RUBBER, UP	7	9312-	4BE1	NKR 58								
	8-94279 517-0		NUT ; SUPPORT RUBBER, UP	6	9312-	4HF1	NKR 66								
	8-94279 517-0		NUT ; SUPPORT RUBBER, UP	7	0702-	4JB1-TC	NHR55/NKR55								
399	8-94273 605-0		CAP ; BRACKET, AIR DUCT	2	9312-	4JB1	NHR 55								
	8-94273 605-0		CAP ; BRACKET, AIR DUCT	2	9312-	4BE1	NKR 58								
	8-94273 605-0		CAP ; BRACKET, AIR DUCT	2	9312-	4HF1	NKR 66, NKR 66-2TRUK, NKR 71								
	8-94273 605-0		CAP ; BRACKET, AIR DUCT	2	0702-	4JB1-TC	NHR55/NKR55								