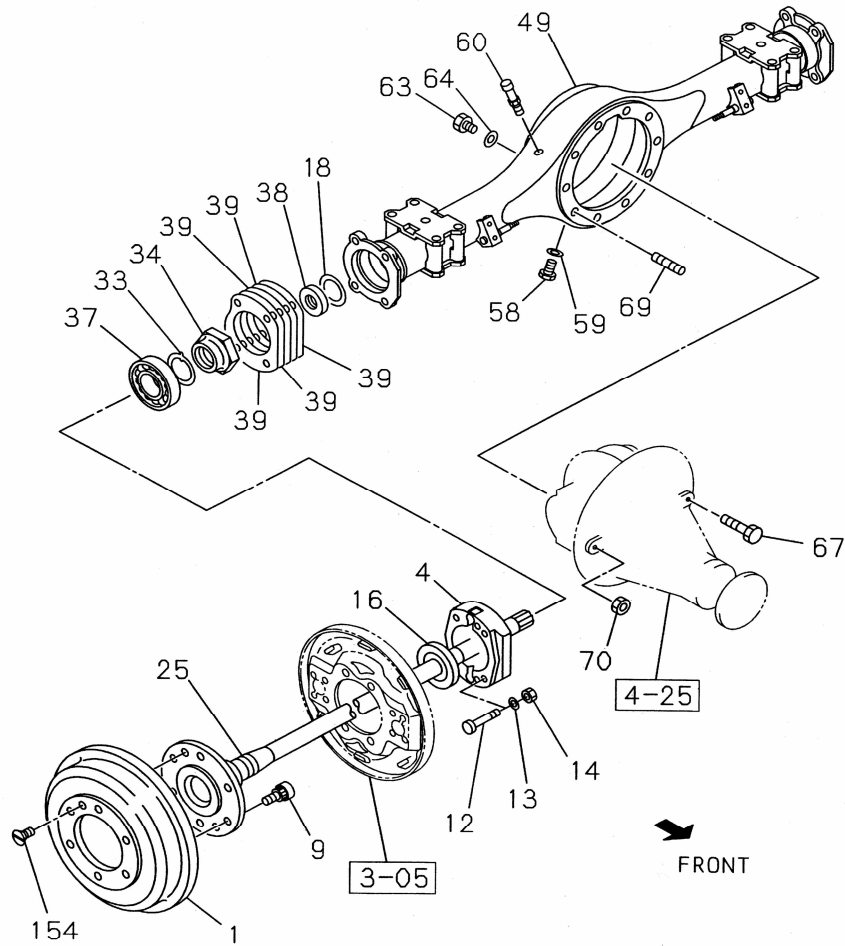
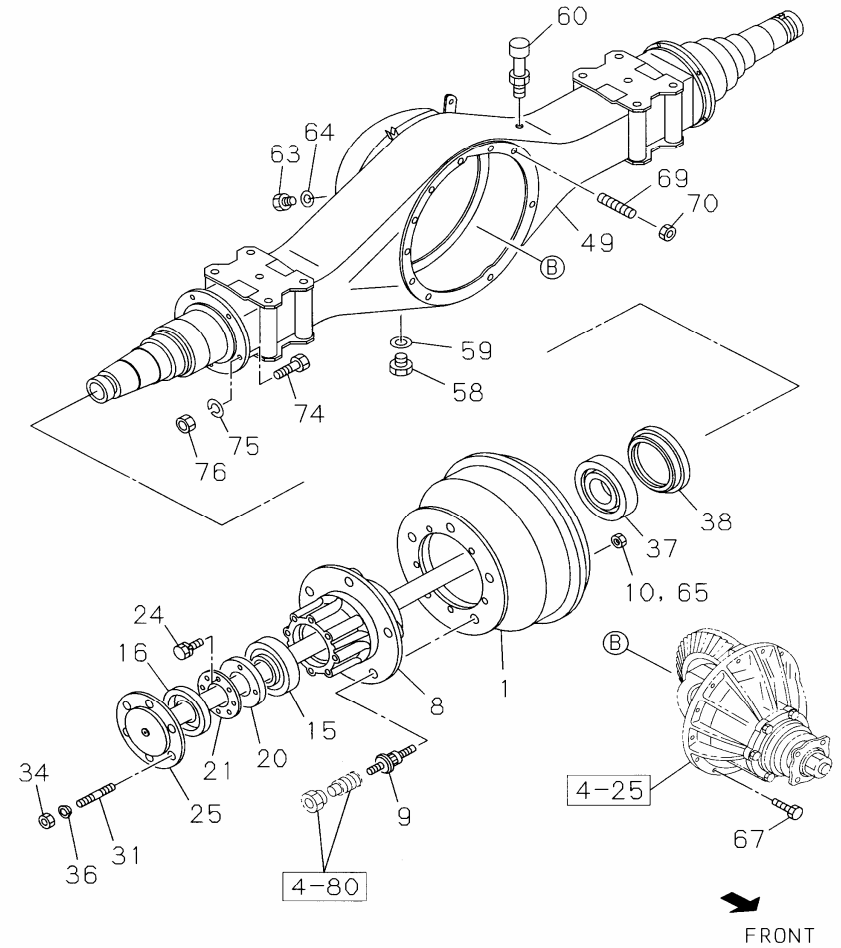


FIG.NO : 4-20 REAR AXLE CASE AND SHAFT

SINGLE TIRE



DUAL TIRE



**FIG.NO : 4-20 REAR AXLE CASE AND SHAFT**

KEY NO	PART NUMBER	I T C	DESCRIPTION	QTY	APPLIED DATE	MODEL	REMARKS	KEY NO	PART NUMBER	I T C	DESCRIPTION	QTY	APPLIED DATE	MODEL	REMARKS			
1	8-97034 799-A		DRUM ; BRAKE, REAR	2	9312-0304	4JB1	NHR 55	9	9-42331 605-5		PIN ; WHEEL, REAR AXLE RH	5	0702-	4JB1-TC	NKR55 TRUCK/BUS			
	8-97034 799-A		DRUM ; BRAKE, REAR	2	0702-	4JB1-TC	NHR55 ( BAKRIE )		9-42332 605-5		PIN ; WHEEL, REAR AXLE LH	5	0702-	4JB1-TC	NKR55 TRUCK/BUS			
	8-94455 285-2		DRUM ; BRAKE, REAR	2	0702-	4JB1-TC	NKR55 ( CKD )		5-89931 944-0		PIN ; WHEEL, REAR AXLE RH	5	0702-	4JB1-TC	NHR55 BUS ( FOR ALLOY )			
	8-97034 770-A		DRUM ; BRAKE, REAR	2	9312-0304	4BE1	NKR 58, NKR 66-2 TRUK		5-89931 945-0		PIN ; WHEEL, REAR AXLE LH	5	0702-	4JB1-TC	NHR55 BUS ( FOR ALLOY )			
	7-84000 200-A		DRUM ; BRAKE, REAR	2	0305-1010	4HF1-2	NKR 66-2 ( TRUK )		8-97017 043-2		PIN ; WHEEL, REAR AXLE RH	10	0702-	4HG1-T	NKR71-T/THD E2 GOLD			
	7-84000 200-A		DRUM ; BRAKE, REAR	2	1011-	4JB1-TC	NKR55L-T (6T) E2 GOLD, PARIN		8-97081 584-3		PIN ; WHEEL, REAR AXLE RH	12	1202-	4HG1-T	NKR71-T/THD E2 HARIMAU			
	8-97036 367-A		DRUM ; BRAKE, REAR	2	9312-0304	4HF1	NKR 66, NKR 71, NKR 66-2 BUS		8-97017 044-2		PIN ; WHEEL, REAR AXLE LH	10	0702-	4HG1-T	NKR71-T/THD E2 GOLD			
	8-97036 367-A		DRUM ; BRAKE, FRONT	2	0702-1201	4HG1-T	NKR71 EURO2 ( BAKRI )		8-97081 585-3		PIN ; WHEEL, REAR AXLE LH	12	1202-	4HG1-T	NKR71-T/THD E2 HARIMAU			
	8-97081 219-A		DRUM ; BRAKE, FRONT	2	1202-	4HG1-T	NKR71-T, NKR71-THD E2 HARIMAU											
	7-84000 201-A		DRUM ; BRAKE, REAR	2	0305-0701	4HF1	NKR 66, NKR 71, NKR 66-2 BUS											
	7-84000 201-A		DRUM ; BRAKE, REAR	2	0702-	4HG1-T	NKR71 EURO2 ( PARIN )											
	4	8-94120 081-0		HOLDER ; BRG, AXLE SHAFT	1	9312-	4JB1		LH ( NHR 55 )	12	8-94477 674-2		BOLT; BRG HOLDER TO CASI	4	9312-	4JB1	M12X72 ( NHR 55 )	
8-97324 241-0			HOLDER ; BRG, AXLE SHAFT	1	9312-0110	4JB1	RH ( NHR 55 )	8-94477 674-2			BOLT; BRG HOLDER TO CASI	4	0702-	4JB1-TC	M12X72 ( NHR 55 EURO 2 )			
8-97324 241-0			HOLDER ; BRG, AXLE SHAFT	2	0111-0701	4JB1	NHR 55	9-42119 603-2			BOLT; BRG HOLDER TO CASI	4	9312-	4JB1	M12X69 ( NHR 55 )			
8-97324 241-0			HOLDER ; BRG, AXLE SHAFT	2	0702-	4JB1-TC	NHR55 EURO 2	9-42119 603-2			BOLT; BRG HOLDER TO CASI	4	0702-	4JB1-TC	M12X69 ( NHR 55 EURO 2 )			
8	8-97026 139-A		HUB ; REAR AXLE	2	9312-	4BE1	NKR 58 , NKR66-2 TRUK	13	0-91510 512-0		WASHER LOCK ; BEARING HC	8	9312-	4JB1	ID = 12 ( NHR 55 )			
	8-97122 626-A		HUB ; REAR AXLE	2	9312-0701	4HF1	NKR 66, NKR 71, NKR 66-2 BUS		14	0-91110 512-0		NUT ; BEARING HOLDER TO C	8	9312-	4JB1	M12 ( NHR 55 )		
	8-97122 626-A		HUB ; REAR AXLE	2	0702-1201	4HG1-T	NKR71 EURO 2			15	9-00093 609-0		BEARING; HUB OTR, RR AXLE	2	9312-	4HF1	NKR 66	
	8-97081 323-A		HUB ; REAR AXLE	2	1202-	4HG1-T	NKR71-T, NKR71-THD E2 HARIMAU				9-00093 082-A		BEARING; HUB OTR, RR AXLE	4	9312-	4BE1	NSK ( NKR 58 )	
	5-42311 009-3		HUB ; REAR AXLE	2	0702-1105	4JB1-TC	NKR55 EURO 2				9-00093 082-A		BEARING; HUB OTR, RR AXLE	4	9312-	4JB1	NSK ( NHR 55 )	
5-42311 009-A		HUB ; REAR AXLE	2	1106-	4JB1-TC	NKR55 EURO 2	9-00093 082-A				BEARING; HUB OTR, RR AXLE	4	9312-	4JB1	NSK ( NKR55 EURO 2 )			
9	8-97126 488-0		PIN ; WHEEL, REAR AXLE RH	6	9312-	4JB1	NHR 55	16	9-00093 609-A			BEARING; HUB OTR, RR AXLE	2	0211-	4JB1	NKR 71		
	8-97126 488-0		PIN ; WHEEL, REAR AXLE RH	6	9811-	4JB1	M14X42 TREAD,NHR 55T		9-00093 609-A		BEARING; HUB OTR, RR AXLE	2	0211-	4JB1	NKR71 EURO 2			
	8-97126 489-0		PIN ; WHEEL, REAR AXLE LH	6	9312-	4JB1	NHR 55		9-09724 022-1	8-98202 911-0		SEAL ; OIL, RR HUB, OUTER	2	9312-	4JB1	NHR 55		
	8-97126 489-0		PIN ; WHEEL, REAR AXLE LH	6	9811-	4JB1	M14X42 TREAD,NHR 55T			8-98202 911-0		SEAL ; OIL, RR HUB, OUTER	2	9312-	4BE1	NKR58,NKR66-2, NKR55 EURO 2		
	8-94383 436-2		PIN ; WHEEL, REAR AXLE RH	5	9312-	4BE1	NKR 58, NKR 66-2 TRUK			8-98202 911-0		SEAL ; OIL, RR HUB, OUTER	2	9312-	4BE1	NKR58,NR66-2, NKR55 EURO 2		
	8-94383 437-2		PIN ; WHEEL, REAR AXLE LH	5	9312-	4BE1	NKR 58, NKR 66-2 TRUK			8-98202 912-0		SEAL ; OIL, RR HUB, OUTER	2	9312-	4HF1	NKR66, NKR71 EURO 2		
	8-97017 043-2		PIN ; WHEEL, REAR AXLE RH	5	9312-	4HF1	NKR 66, NKR 71, NKR 66-2 BUS			8-98202 912-0		SEAL ; OIL, RR HUB, OUTER	2	9312-	4HF1	NKR66, NKR71 EURO 2		
	8-98007 976-0		PIN ; WHEEL, REAR AXLE LH	5	9312-	4HF1	NKR 66, NKR 71, NKR 66-2 BUS											

**FIG.NO : 4-20 REAR AXLE CASE AND SHAFT**

KEY NO	PART NUMBER	I T C	DESCRIPTION	QTY	APPLIED DATE	MODEL	REMARKS	KEY NO	PART NUMBER	I T C	DESCRIPTION	QTY	APPLIED DATE	MODEL	REMARKS
18	9-09720 517-0		RETAINER ; RR AXLE	2	9312-	4JB1	NHR55, NHR55 EURO 2	36	8-97360 004-0		WASHER ; SPECIAL, AXLE SH	16	9312-	4HF1	NKR 58, NKR 66, NKR 66-2, NKR 71 NKR55, NKR71 EURO 2
20	8-97137 092-0		NUT ; BEARING, RR HUB	2	9312-	4BE1	NKR58,NKR66-2,NKR55 EURO 2	37	9-00093 081-A		BEARING ; HUB IN,RR AXLE	4	9312-	4BE1	NKR 58 , NKR66-2
	8-97137 093-0		NUT ; BEARING, RR HUB	2	9312-9606	4HF1	NKR 66		9-00093 624-A		BEARING ; HUB IN,RR AXLE	4	9312-	4HF1	NKR 66
	8-97137 094-0		NUT ; BEARING, RR HUB	2	9607-	4HF1	NKR66, NKR71, NKR71 EURO 2		9-00032 209-A		BEARING ; HUB IN,RR AXLE	4	9312-	4JB1	NHR 55
									9-00093 624-A		BEARING ; HUB IN,RR AXLE	2	0211-	4HG1	NKR 71
21	9-09853 214-0		WASHER ; LK, BRG NUT	2	9312-	4BE1	NKR58,NKR66-2,NKR55 EURO 2	38	5-09625 092-0		SEAL ; OIL, RR HUB, INNER	2	9312-	4JB1	NHR55 EURO 2
	9-09653 002-0		WASHER ; LK, BRG NUT	2	9312-	4HF1	NKR 66, NKR71, NKL71 E2		8-94336 314-1		SEAL ; OIL, RR HUB, INNER	2	9312-	4BE1	TKK, KR58,NKR66-2,NKR55 E2
24	0-50540 616-0		BOLT ; LK WASHER	4	9312-9507	4BE1	NKR 58		8-94367 959-0		SEAL ; OIL, RR HUB, INNER	2	9312-	4BE1	NOK,NKR58,NKR66-2,NKR55 E2
	0-50540 616-0		BOLT ; LK WASHER	4	9312-	4HF1	NKR 66		8-94336 316-1		SEAL ; OIL, RR HUB, INNER	2	9312-	4HF1	TKK, NKR66, NKR71, NKR71 E2
	0-50540 612-0		BOLT ; LK WASHER	4	9508-	4HF1	NKR 66, NKR 66-2, NKR 71		8-94367 958-0		SEAL ; OIL, RR HUB, INNER	2	9312-	4HF1	NOK, NKR66,NKR71,NKR71 E2
25	8-97083 094-1		SHAFT ; AXLE , REAR	2	9312-0701	4JB1	NHR55-T/B	39	9-42119 616-0		SHIM ; BRG HOLDER	AR	9312-	4JB1	T = 1.000 ( NHR 55 )
	8-97083 094-1		SHAFT ; AXLE , REAR	2	0702-	4JB1-TC	NHR55-T/B EURO 2		9-42119 616-0		SHIM ; BRG HOLDER	4	0307-	4JB1	T = 1.000 ( NHR 55 ), EURO 2
	8-97032 496-0		SHAFT ; AXLE , REAR	2	9312-1010	4BE1	NKR 58 , NKR66-2		9-42119 617-0		SHIM ; BRG HOLDER	AR	9312-	4JB1	T = 0.500 ( NHR 55 )
	8-97032 496-0		SHAFT ; AXLE , REAR	2	1011-	4JB1-TC	NKR55L-T (6T) EURO 2		9-42119 617-0		SHIM ; BRG HOLDER	4	0307-	4JB1	T = 0.500 ( NHR 55 ), EURO 2
	8-94366 192-0		SHAFT ; AXLE , REAR	2	0702-	4JB1-TC	NKR55-T/B,NKR55-B (LWB) E2		9-42119 618-0		SHIM ; BRG HOLDER	AR	9312-	4JB1	T = 0.13 ( NHR 55 )
									9-42119 618-0		SHIM ; BRG HOLDER	4	0307-	4JB1	T = 0.13 ( NHR 55 ), EURO 2
									9-42119 619-0		SHIM ; BRG HOLDER	AR	9312-	4JB1	T = 0.076 ( NHR 55 )
									9-42119 619-0		SHIM ; BRG HOLDER	4	0307-	4JB1	T = 0.076 ( NHR 55 ), EURO 2
									9-42119 620-0		SHIM ; BRG HOLDER	AR	9312-	4JB1	T = 0.050 ( NHR 55 )
									9-42119 620-0		SHIM ; BRG HOLDER	4	0307-	4JB1	T = 0.050 ( NHR 55 ), EURO 2
	8-98098 425-A		SHAFT ; AXLE , REAR	2	9312-0701	4HF1	NKR66,NKR71	44	8-97029 433-0		CATCHER ; OIL, RR AXLE SHF	2	9312-9406	4BE1	NKR 58
	8-97126 893-0		SHAFT ; AXLE , REAR	2	0702-0907	4HG1-T	NKR71-T/HD EURO 2		8-97029 433-0		CATCHER ; OIL, RR AXLE SHF	2	9312-9406	4HF1	NKR 66
	8-98151 846-0		SHAFT ; AXLE , REAR	2	0908-1201	4HG1-T	NKR71-T/HD EURO 2	46	0-28050 610-0		BOLT ; OIL CATCHER,RR AXLE	2	9312-	4BE1	NKR 58
	8-98151 846-0		SHAFT ; AXLE , REAR	2	1202-	4HG1-T	NKR71-T/HD E2, HARIMAU		0-28050 610-0		BOLT ; OIL CATCHER,RR AXLE	2	9312-	4HF1	NKR 66
31	8-97359 803-0		STUD ; AXLE SHAFT TO HUB	16	9312-	4BE1	M10X30 L = 49 ( NKR 58 )	47	0-91510 606-0		WASHER ; LK OIL CATCHER	10	9312-	4BE1	NKR 58
	8-97359 803-0		STUD ; AXLE SHAFT TO HUB	16	9312-	4HF1	M 10 X 30 L = 49 NKR 66, NKR 66-2, NKR 71 NKR55, NKR71 EURO 2		0-91510 606-0		REAR AXLE SHAFT	10	9312-	4HF1	NKR 66
33	8-97086 472-0		WASHER, AXLE SHAFT	2	9811-	4JB1	NHR55, NHR55 EURO 2				WASHER ; LK OIL CATCHER				
34	0-91180 210-0		NUT ; AXLE SHAFT	16	9312-0304	4JB1	NHR 55				REAR AXLE SHAFT				
	8-94178 278-0		NUT ; AXLE SHAFT	2	0305-	4JB1	NHR55, NHR55 EURO 2								
	0-91180 210-0		NUT ; AXLE SHAFT	16	9312-	4HF1	NKR 58, NKR 66, NKR 71								

**FIG.NO : 4-20 REAR AXLE CASE AND SHAFT**

KEY NO	PART NUMBER	I T C	DESCRIPTION	QTY	APPLIED DATE	MODEL	REMARKS	KEY NO	PART NUMBER	I T C	DESCRIPTION	QTY	APPLIED DATE	MODEL	REMARKS		
49	8-97047 980-3		CASE ; REAR AXLE	1	9312-0210	4JB1	NHR 55	67	0-50061 040-0		BOLT ; FINAL DRIVE SETTING	8	9312-	4JB1	NHR55, NHR55 EURO 2		
	8-97357 375-1		CASE ; REAR AXLE	1	0211-0401	4JB1	NHR 55		0-50061 040-0		BOLT ; FINAL DRIVE SETTING	9	9312-	4BE1	NKR 58 , NKR66-2		
	8-97357 375-2		CASE ; REAR AXLE	1	0402-0701	4JB1	NHR 55		0-50061 040-0		BOLT ; FINAL DRIVE SETTING	9	9312-	4HF1	NKR66 , NKR55 EURO 2		
	8-97357 375-2		CASE ; REAR AXLE	1	0702-	4JB1-TC	NHR55-T, NHR55-B EURO 2		0-50061 040-0	A	BOLT ; FINAL DRIVE SETTING	7	0211-	4HG1	NKR66-2,NKR71,NKR71 EURO 2		
	8-97032 861-5		CASE ; REAR AXLE	1	0702-	4JB1-TC	NKR55L-T (6T) EURO 2		0-50061 050-0	A	BOLT ; FINAL DRIVE SETTING	4	0211-	4HG1	NKR66,NKR71, NKR71 EURO 2		
	8-97304 377-2		CASE ; REAR AXLE	1	0702-	4JB1-TC	NKR55-T/B, NKR55-B (LWB) E2										
	8-97070 484-5		CASE ; REAR AXLE	1	9312-	4BE1	NKR 58										
	8-97032 861-5		CASE ; REAR AXLE	1	9811-	4HF1-2	NKR 66-2			69	8-98022 413-0		STUD ; AXLE CASE	2	9312-	4JB1	NHR 55
	8-97122 348-4		CASE ; REAR AXLE	1	9811-	4HF1	NKR 66, NKR 71				8-98022 413-0		STUD ; AXLE CASE	4	9312-	4BE1	NKR 58 , NKR66-2
	8-98151 843-0		CASE ; REAR AXLE	1	0702-1201	4HG1-T	NKR71-T/THD EURO 2				8-98022 413-0		STUD ; AXLE CASE	4	9312-	4HF1	NKR 66, NKR 71
8-98192 225-0		CASE ; REAR AXLE	1	1202-	4HG1-T	NKR71-T/THD EURO 2 HARIMAU											
58	8-97109 869-0		PLUG ; DRAIN, AXLE CASE	1	9312-	4JB1	NHR 55	70	0-91180 210-0		NUT ; CARRIER	2	9312-	4JB1	NHR55, NHR55 EURO 2		
	8-97109 869-0		PLUG ; DRAIN, AXLE CASE	1	9312-	4BE1	NKR 58		0-91180 210-0		NUT ; CARRIER	4	9312-	4BE1	NKR58, NKR66-2, NKR55 E2		
	8-97109 869-0		PLUG ; DRAIN, AXLE CASE	1	9312-	4HF1	NKR 66, NKR 66-2, NKR 71		0-91180 210-0		NUT ; CARRIER	4	9312-	4HF1	NKR 66, NKR71 EURO 2		
	8-97307 060-0		PLUG ; DRAIN, AXLE CASE	1	0702-	4JB1-TC	NHR55/NKR55 EURO 2										
	8-97307 060-0		PLUG ; DRAIN, AXLE CASE	1	0702-	4HG1-T	NKR71 EURO 2										
59	9-09571 416-0		GASKET ; DRAIN PLUG	1	9312-	4JB1	NHR 55	74	8-97359 819-0		BOLT ; REAR BRAKE ASM SETTING	12	9312-	4BE1	NKR 58 , NKR66-2		
	9-09571 416-0		GASKET ; DRAIN PLUG	1	9312-	4BE1	NKR 58, NKR 66, NKR 71		8-97359 819-0		BOLT ; REAR BRAKE ASM SETTING	12	9312-	4HF1	NKR 66, NKR 71		
	9-09571 416-0		GASKET ; DRAIN PLUG	1	0702-	4JB1-TC	NHR55/NKR55 EURO 2										
	9-09571 416-0		GASKET ; DRAIN PLUG	1	0702-	4HG1-T	NKR71 EURO 2										
60	8-97383 656-0		BREATHER ; RR AXLE CASE	1	9312-	4JB1	NHR 55	75	0-91510 612-0		WASHER ; LOCK, REAR BRAKE ASM SETTING	12	9312-	4BE1	NKR 58 , NKR66-2		
	8-97383 656-0		BREATHER ; RR AXLE CASE	1	9312-	4BE1	NKR 58		0-91510 612-0		WASHER ; LOCK, REAR BRAKE ASM SETTING	12	9312-	4HF1	NKR 66, NKR 71		
	8-97383 656-0		BREATHER ; RR AXLE CASE	1	9312-	4HF1	NKR 66, NKR 66-2, NKR 71										
63	9-09662 005-0		PLUG ; OIL FILLER, AXLE CASE	1	9312-	4JB1	NHR 55	76	0-91110 512-0		NUT ; REAR BRAKE ASM SETTING	12	9312-	4BE1	NKR 58 , NKR66-2		
	9-09662 005-0		PLUG ; OIL FILLER, AXLE CASE	1	9312-	4BE1	NKR 58		0-91110 512-0		NUT ; REAR BRAKE ASM SETTING	12	9312-	4HF1	NKR 66, NKR 71		
	9-09662 005-0		PLUG ; OIL FILLER, AXLE CASE	1	9312-	4HF1	NKR 66, NKR 66-2, NKR 71										
64	8-94462 734-0		GASKET ; OIL FILLER, AXLE CASE	1	9312-	4JB1	NHR 55	154	0-36410 616-0		SCREW ; SLOTTED	2	9312-	4JB1	NHR 55		
	8-94462 734-0		GASKET ; OIL FILLER, AXLE CASE	1	9312-	4BE1	NKR 58		0-36410 616-0		SCREW ; SLOTTED	2	0702-	4JB1-TC	NHR55/NKR55 EURO 2		
	8-94462 734-0		GASKET ; OIL FILLER, AXLE CASE	1	9312-	4HF1	NKR 66, NKR 71		0-36410 616-0		SCREW ; SLOTTED	2	0702-	4HG1-T	NKR71 EURO 2		
	8-94462 734-0		GASKET ; OIL FILLER, AXLE CASE	1	9811-	4HF1-2	NKR 66-2										