

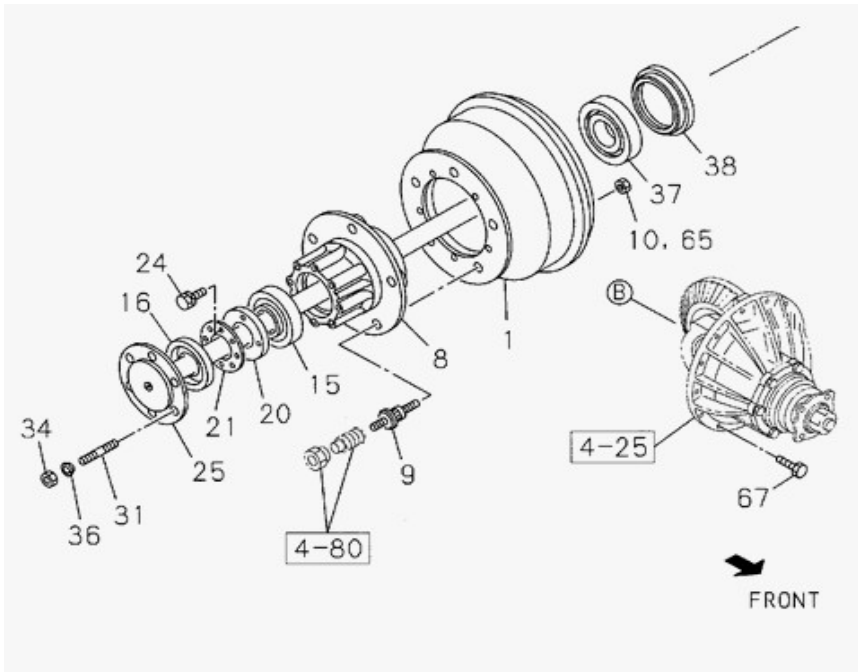
PART INFORMATION

No : 005/IAMI/INV/II/2009

Tanggal : 18 Februari 2009

Perihal : BEARING HUB INNER REAR AXLE

FIG.NO : 4-20



NO	PART NUMBER	DESCRIPTION	Fig Key	Key	TYPE	PRICE LIST	REMARKS
CURRENT							
1	I9-00093 081-0	BEARING HUB INNER RR AXLE	4-20	37	NKR58	325.000	NKR58, NKR66-2
2	I9-00093 081-0	BEARING HUB INNER RR AXLE	4-20	37	NKR66	325.000	NKR66
3	I9-00093 624-0	BEARING HUB INNER RR AXLE	4-20	37	NKR71	335.000	NKR71
NEW							
1	I9-00093 081-A	BEARING HUB INNER RR AXLE	4-20	37	NKR58	325.000	NKR58, NKR66-2
2	I9-00093 624-A	BEARING HUB INNER RR AXLE	4-20	37	NKR71	335.000	NKR66, NKR71