

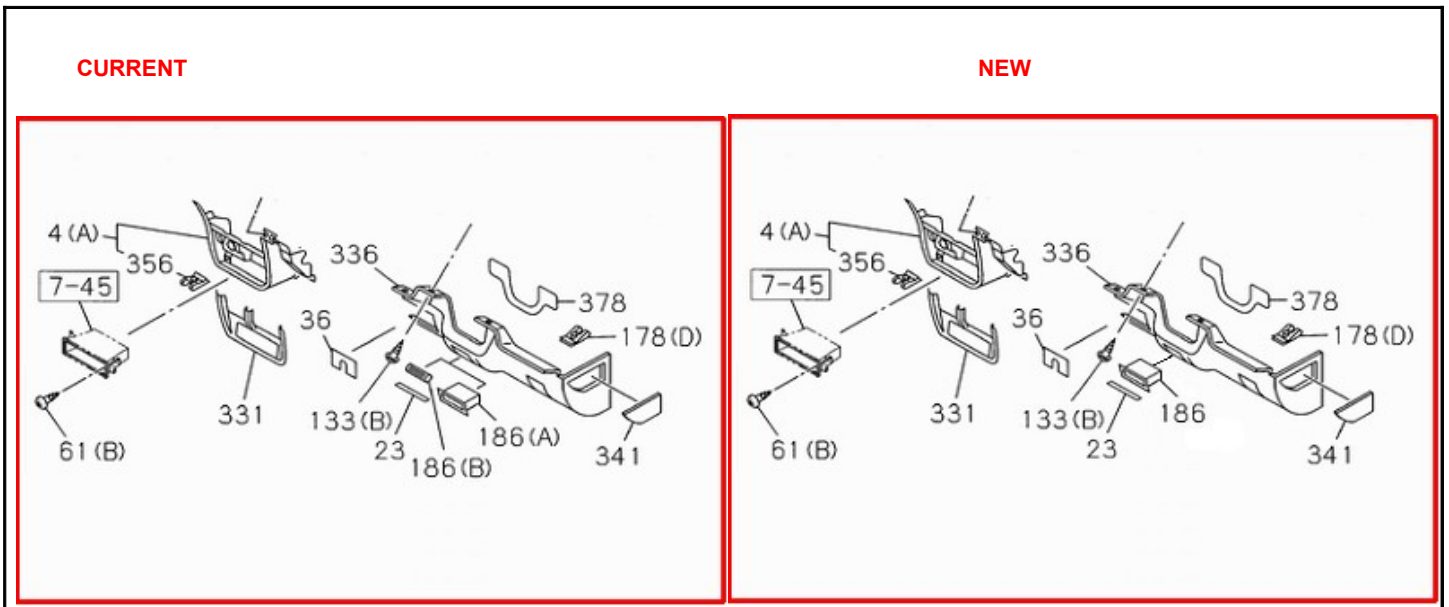
PART INFORMATION

No : 010/IAMI/INV/III/2009

Tanggal : 02 Maret 2009

Perihal : COVER INSTRUMENT PANEL SIDE

FIG.NO : 7-40



NO	PART NUMBER	IPC	DESCRIPTION	Fig Key	Key	TYPE	PRICE LIST	REMARKS
CURRENT								
1	8-97806 851-0		GRILLE LAP VENTILATOR	7-40	186	TBR541	177.000	(B) BLACK
2	8-97123 442-0		GRILLE LAP VENTILATOR	7-40	186	TBR541	41.000	(A) BLACK
3	8-97394 945-0		GRILLE LAP VENTILATOR	7-40	186	TBR541	-	(A) BLACK
4	8-97412 236-4		COVER ISNT PANEL SIDE	7-40	336	TBR541	-	BEIGE
5	-		LID FUSE BOX	7-40	341	TBR541	-	BEIGE
NEW								
1	8-97123 442-0		GRILLE LAP VENTILATOR	7-40	186	TBR541	41.000	BLACK
2	8-97412 433-0		GRILLE LAP VENTILATOR	7-40	186	TBR541	43.000	BEIGE
3	8-97412 431-2		COVER ISNT PANEL SIDE	7-40	336	TBR541	1.400.000	BEIGE
4	8-97412 432-2		LID FUSE BOX	7-40	341	TBR541	87.000	BEIGE