

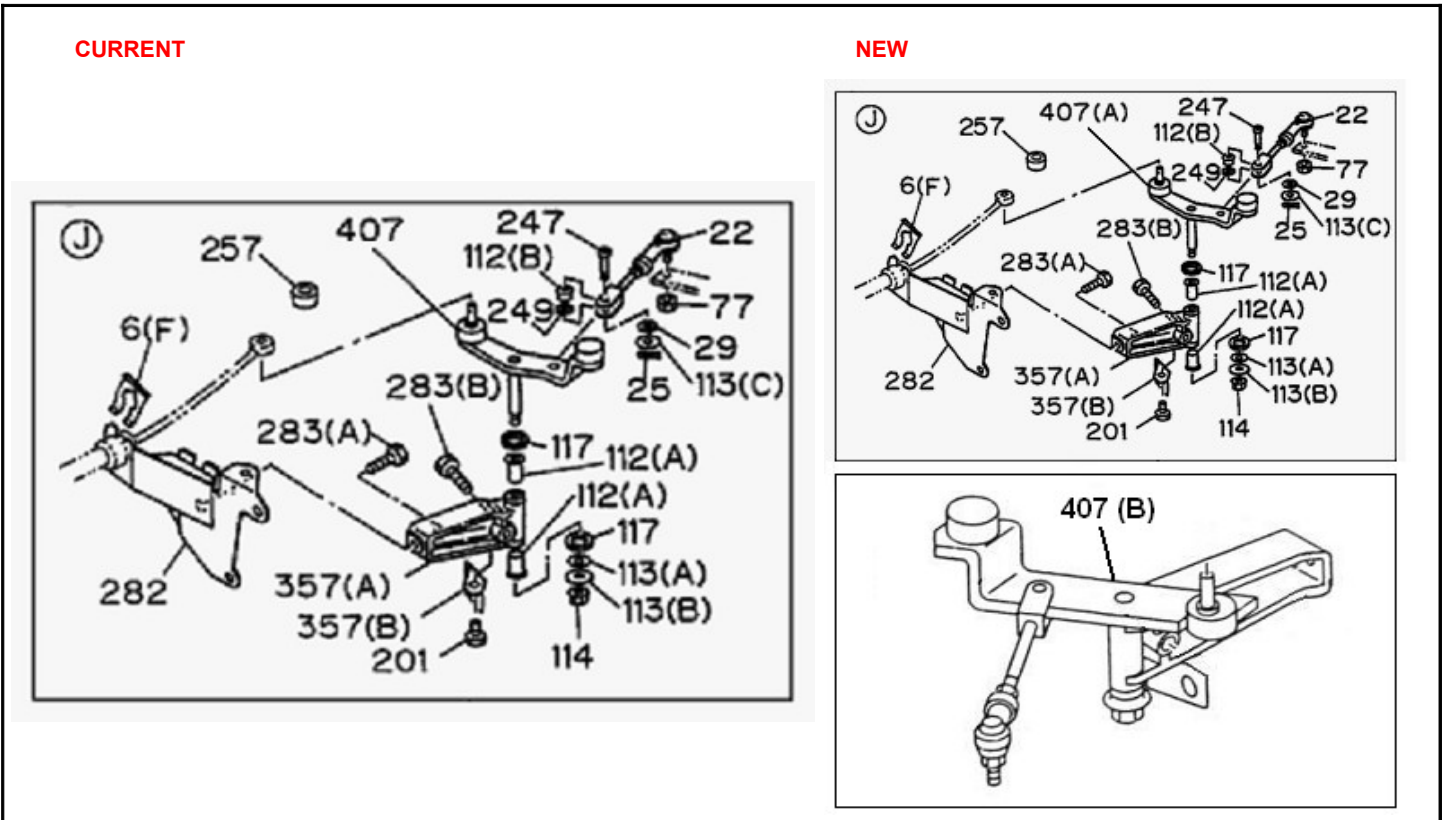
PART INFORMATION

No : 015/IAMI/INV/III/2009

Tanggal : 06 Maret 2009

Perihal : LEVER; RELAY SHIFT

FIG.NO : 2- 36



NO	PART NUMBER	UNIT	DESCRIPTION	Fig Key	Key	TYPE	PRICE LIST	REMARKS
	CURRENT							
1	18-97089 690-1		LEVER; RELAY SHIFT	2-36	407	NHR55	-	NHR55
	NEW							
1	18-97089 690-1	C	LEVER; RELAY SHIFT	2-36	407	NHR55	-	(A) NHR55
2	18-97134 267-0		LEVER; RELAY SHIFT	2-36	407	NHR55	610.000	(A) NHR55
3	18-97174 068-3		LEVER; ASM RELAY SHIFT	2-36	407	NHR55	1.650.000	(B) NKR58