

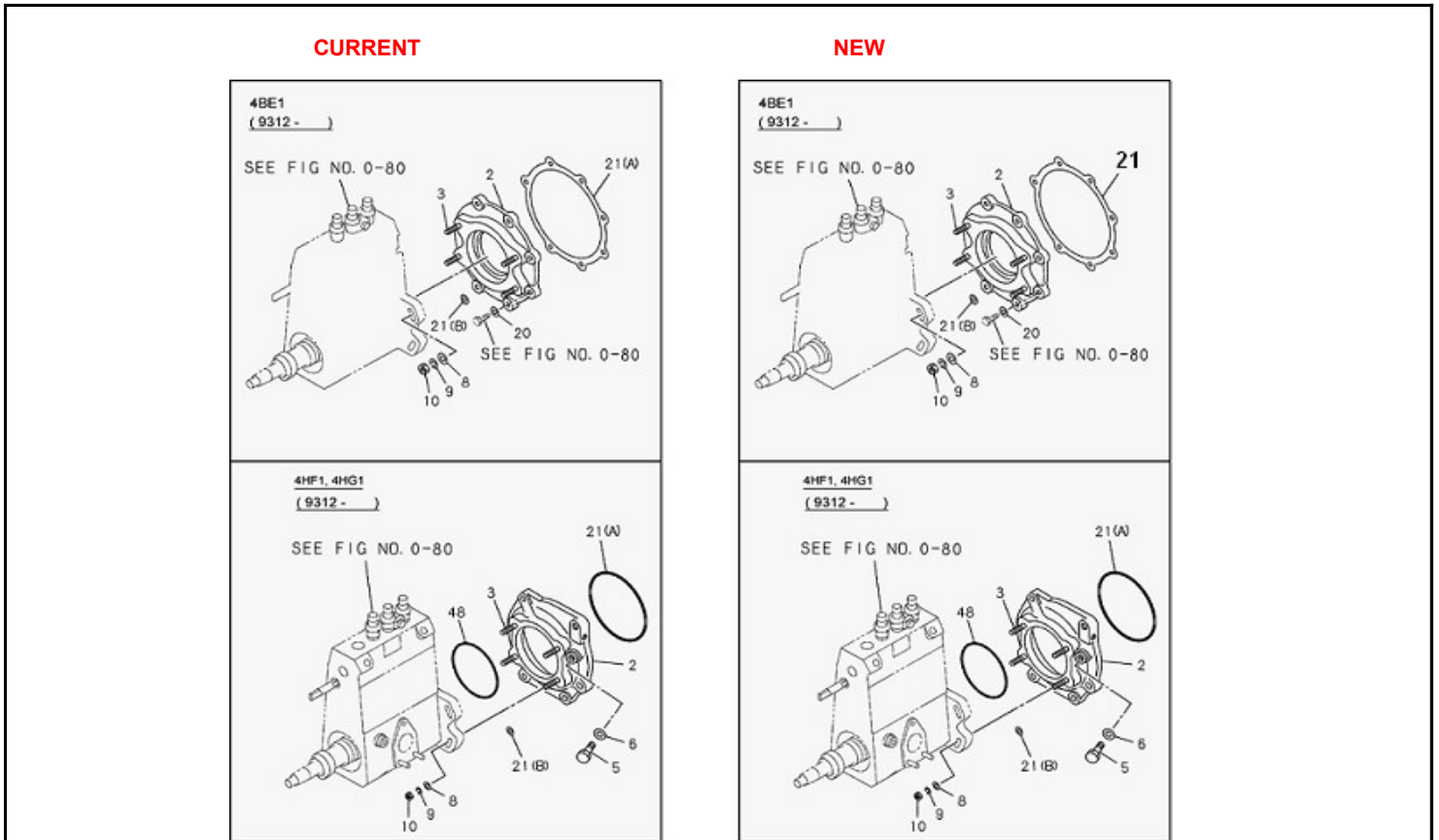
PART INFORMATION

No : 019/IAMI/INV/III/2009

Tanggal : 17 Maret 2009

Perihal : GASKET; INJECTION PUMP

FIG.NO : 0- 86



NO	PART NUMBER	TC	DESCRIPTION	Fig Key	Key	TYPE	PRICE LIST	REMARKS
CURRENT								
1	18-94370 675-0		GASKET; INJECTION PUMP	0-86	21	NKR58	33.000	NKR58
2	18-97039 200-1		GASKET; INJECTION PUMP	0-86	21	NKR66	51.000	(A) NKR66, NK66-2, NKR71
3	19-09572 014-0		GASKET; INJECTION PUMP	0-86	21	NKR66	4.000	(B) NKR66, NKR71 D=14 OD=23.0
4	19-09572 014-0		GASKET; INJECTION PUMP	0-86	21	NKR71	4.000	(B) NKR71 EURO2 D=14 OD=23.0
5	18-97039 200-1		GASKET; INJECTION PUMP	0-86	21	NKR71	51.000	(A) NKR71 EURO2 D=14 OD=23.0
NEW								
1	18-94370 675-1		GASKET; INJECTION PUMP	0-86	21	NKR58	33.000	NKR58
2	18-97039 200-1		GASKET; INJECTION PUMP	0-86	21	NKR66	51.000	(A) NKR66, NK66-2, NKR71
3	19-09572 014-0		GASKET; INJECTION PUMP	0-86	21	NKR66	4.000	(B) NKR66, NKR71 D=14 OD=23.0
4	19-09572 014-0		GASKET; INJECTION PUMP	0-86	21	NKR71	4.000	(B) NKR71 EURO2 D=14 OD=23.0
5	18-97039 200-1		GASKET; INJECTION PUMP	0-86	21	NKR71	51.000	(A) NKR71 EURO2