

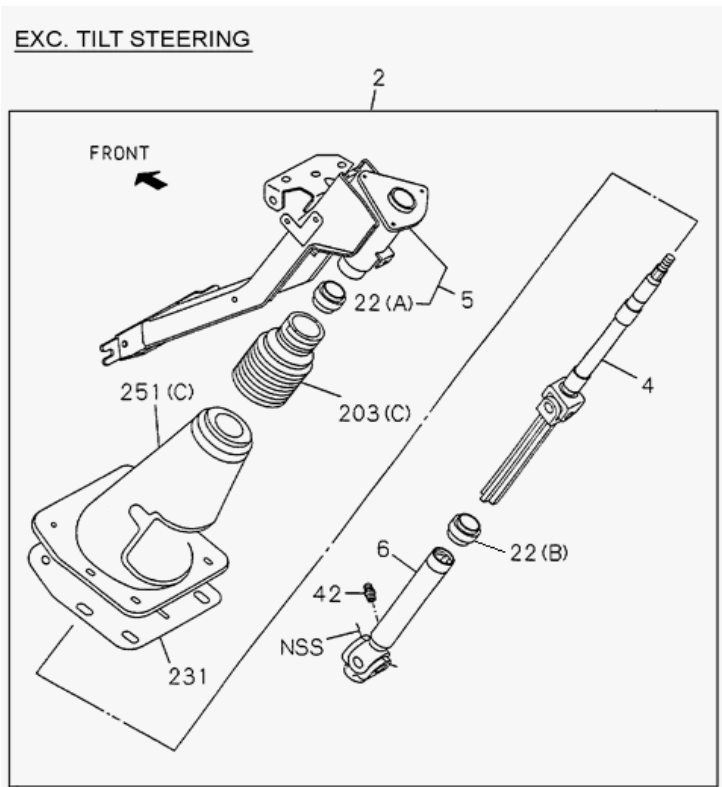
PART INFORMATION

No : 021/IAMI/INV/III/2009

Tanggal : 24 Maret 2009

Perihal : **BUSHING STEERING COLUMN**

FIG.NO : 4-31 BUSHING STEERING COLUMN



NO	PART NUMBER	ITC	DESCRIPTION	Fig Key	Key	Applied Date	TYPE	PRICE LIST	REMARKS
CURRENT									
1	8-97201 085-0	C	BUSHING; STRG COLUMN	4-31	22	9312-	NHR55	73.000	EXC, TITL STEERING
2	8-97201 085-0	C	BUSHING; STRG COLUMN	4-31	22	9312-	NKR66	73.000	EXC, TITL STEERING
3	8-97076 821-0		BUSHING; STRG COLUMN	4-31	22	9312-	NHR55	73.000	TITL STEERING
4	8-97076 821-0		BUSHING; STRG COLUMN	4-31	22	9312-	NKR58	73.000	TITL STEERING
5	8-97076 821-0		BUSHING; STRG COLUMN	4-31	22	9312-	NKR66	73.000	TITL STEERING
NEW									
1	8-97076 821-0		BUSHING; STRG COLUMN	4-31	22	9312-	N series	73.000	(A) N series
2	8-97378 617-0		BUSHING; STRG COLUMN	4-31	22	0405-	N series	39.000	(B) N series