

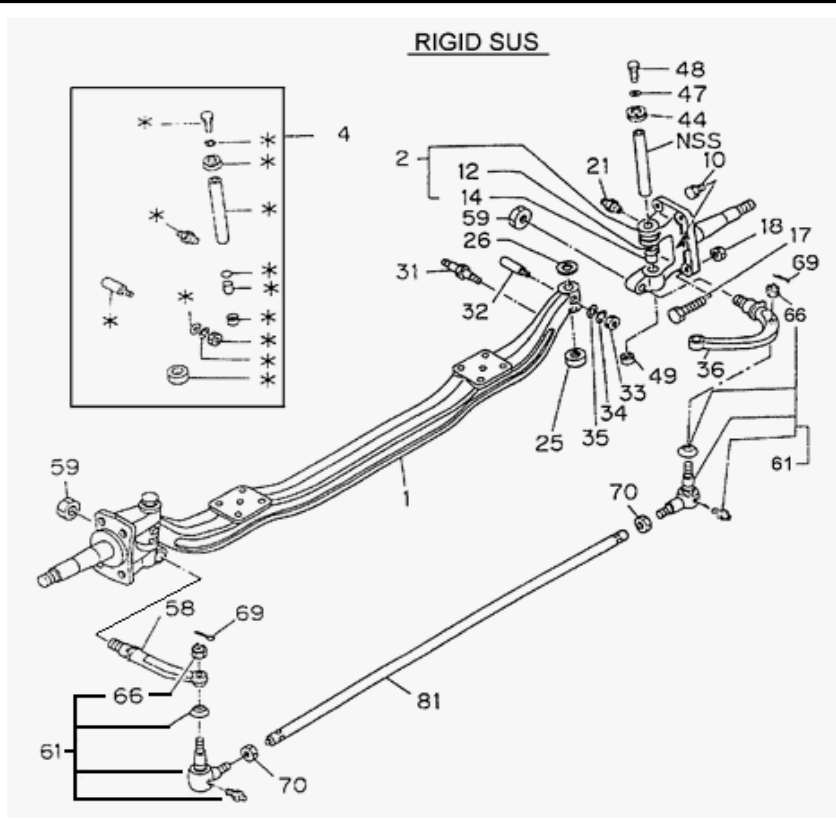
PART INFORMATION

No : 022/IAMI/INV/III/2009

Tanggal : 30 Maret 2009

Perihal : NUT; TIE ROD END

FIG.NO : 4-10 NUT; TIE ROD END



NO	PART NUMBER	ITC	DESCRIPTION	Fig Key	Key	Applied Date	TYPE	PRICE LIST	REMARKS
CURRENT									
1	8-94254 726-0		PIN; SPLIT TIE ROD END	4-10	70	9312-	NHR55	15.500	NHR 55
2	8-94254 726-0		PIN; SPLIT TIE ROD END	4-10	70	9312-	NKR58	15.500	NKR 58
3	8-94254 726-0		PIN; SPLIT TIE ROD END	4-10	70	9312-	NKR66	15.500	NKR 66, 66-2, NKR 71
4	8-94254 726-0		PIN; SPLIT TIE ROD END	4-10	70	0702-	NHR55	15.500	NHR 55, NKR 55 E2
5	8-94254 726-0		PIN; SPLIT TIE ROD END	4-10	70	0702-	NKR71	15.500	NKR 71 EURO 2
6	9-99111 420-0		PIN; SPLIT TIE ROD END	4-10	70	9312-	NHR55	-	NHR 55
7	9-99111 420-0		PIN; SPLIT TIE ROD END	4-10	70	9312-	NKR58	-	NKR 58
8	9-99111 420-0		PIN; SPLIT TIE ROD END	4-10	70	9312-	NKR66	-	NKR 66, 66-2, NKR 71
NEW									
1	8-94254 726-0		NUT; TIE ROD END	4-10	70	9312-	N series	15.500	LH THREAD M20
2	9-99111 420-0		NUT; TIE ROD END	4-10	70	9312-	N series	-	RH THREAD M20