

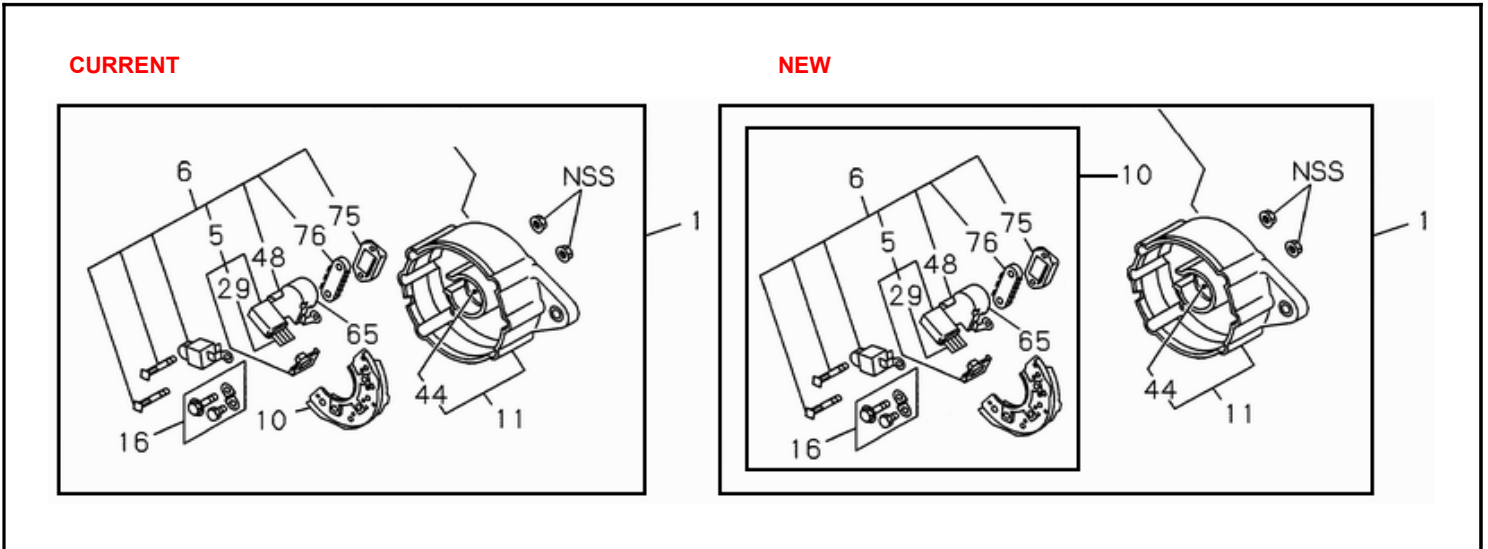
# PART INFORMATION

No : 028/IAMI/INV/IV/2009

Tanggal : 14 April 2009

Perihal : RECTIFIER GENERATOR

**FIG.NO : 0-66 RECTIFIER GENERATOR**



NO	PART NUMBER	ITC	DESCRIPTION	Fig Key	Key	Applied Date	MODEL	PRICE LIST	REMARKS
1	8-97188 870-A		RECTIFIER GEN,TBR541	0-66	10	0008-	4JA1	850.000	FOR ASSY 8-97187 657-A
2	8-94453 149-A		RECTIFIER GEN,TBR541	0-66	10	0008-	4JA1	870.000	FOR ASSY 8-97957 071-A