

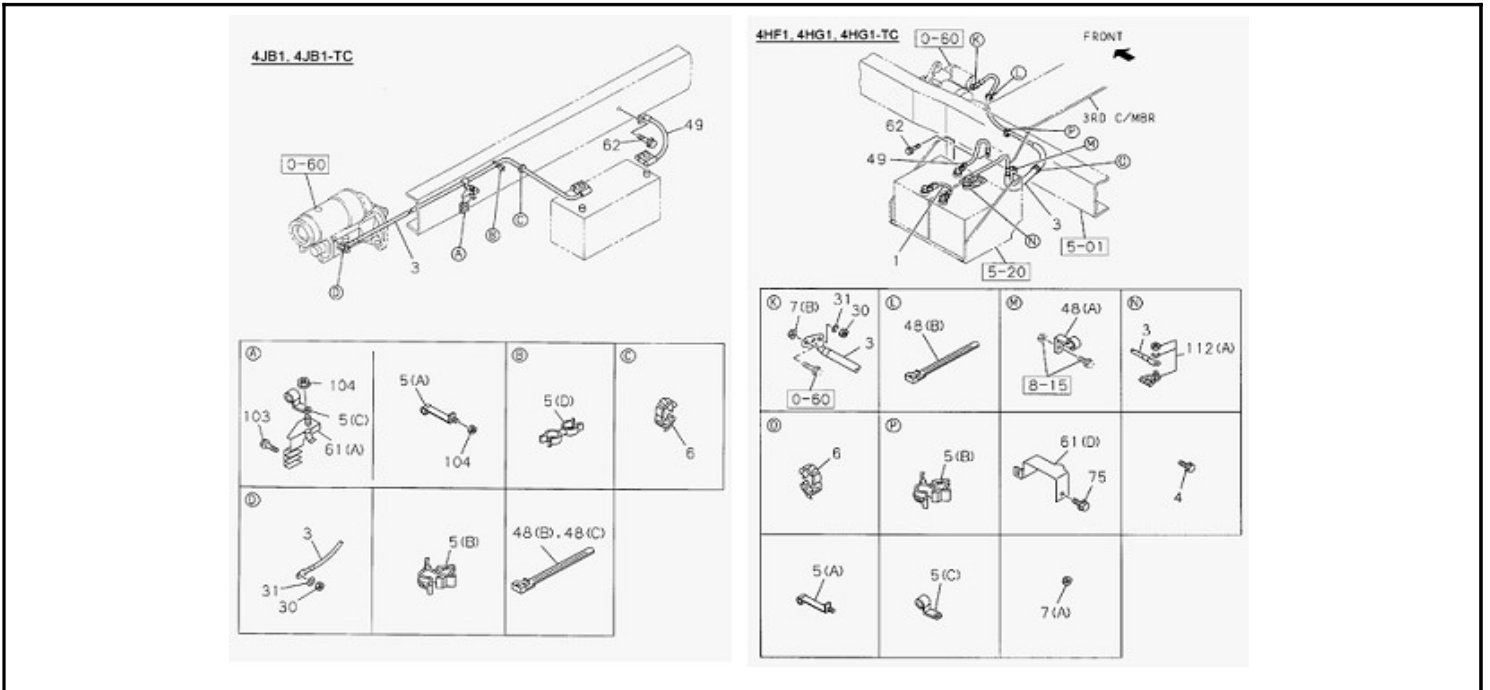
PART INFORMATION

No : 030/IAMI/INV/IV/2009

Tanggal : 23 April 2009

Perihal : CABLE; BATTERY

FIG.NO : 0-61 CABLE; BATTERY



NO	PART NUMBER	ITC	DESCRIPTION	Fig Key	Key	Applied Date	MODEL	PRICE LIST	REMARKS
	CURRENT								
1	17-42500 200-A		CABLE; BATTERY (+)	0-61	1	9904-	4JB1	-	NHR55 24V
2	17-11117 079-A		CABLE; BATTERY (+)	0-61	1	-309	4JB1	50.000	NHR55
3	17-42400 203-A		CABLE; BATTERY (+)	0-61	1	0310-	4JB1	50.000	NHR55 ALL
4	11-82650 265-0		CABLE; BATTERY (+)	0-61	1	9312-	4BE1	68.000	NKR58, L=180
5	18-97230 719-1		CABLE; BATTERY (+)	0-61	1	0106-	4HF1	125.000	NKR66; L=280
6	17-11117 084-A		CABLE; BATTERY (+)	0-61	1	-0309-	4HF1	-	NKR66, NKR66-2, NKR71
7	17-42400 202-A		CABLE; BATTERY (+)	0-61	1	0310-	4HF1	93.000	NKR66, NKR66-2, NKR71
8	17-11117 026-A		CABLE; BATTERY (-)	0-61	2	9312-0309	4JB1	31.000	NHR55
9	17-42400 204-A		CABLE; BATTERY (-)	0-61	2	0310-	4JB1	31.000	NHR55
10	17-11117 025-A		CABLE; BATTERY (-)	0-61	2	9312-0309	4JB1	-	NHR55 24V
11	17-42400 205-A		CABLE; BATTERY (-)	0-61	2	0310-	4JB1	23.000	NHR55 24V
12	17-11117 025-A		CABLE; BATTERY (-)	0-61	2	9312-0309	4HF1	-	NKR66, NKR66-2, NKR71
13	17-42400 205-A		CABLE; BATTERY (-)	0-61	2	0310-	4HF1	23.000	NKR66, NKR66-2, NKR71
14	18-97090 342-1		CABLE, BATTERY TO STARTER	0-61	3	9312-9402	4JB1	510.000	NHR55
15	18-97110 140-0		CABLE, BATTERY TO STARTER	0-61	3	9403-	4JB1	530.000	NHR55
16	17-11117 018-A		CABLE, BATTERY TO STARTER	0-61	3	9904-0309	4JB1	-	NHR55 24V
17	17-42400 206-A		CABLE, BATTERY TO STARTER	0-61	3	0310-	4JB1	16.000	NHR55 24V
18	18-97102 961-0		CABLE, BATTERY TO STARTER	0-61	3	9312-	4BE1	53.000	NKR58

PART INFORMATION

No : 030/IAMI/INV/IV/2009

Tanggal : 23 April 2009

Perihal : **CABLE; BATTERY**

19	18-97066 648-3	CABLE, BATTERY TO STARTER	0-61	3	9312-	4HF1	59.000	NKR66
20	18-97215 917-0	CABLE, BATTERY TO STARTER	0-61	3	9811-	4HF1	570.000	NKR66
21	17-11117 018-A	CABLE, BATTERY TO STARTER	0-61	3	9904-0309	4HF1	-	NKR66, NKR66-2, NKR71
22	17-42400 206-A	CABLE, BATTERY TO STARTER	0-61	3	0310-	4HF1	16.000	NKR66, NKR66-2, NKR71
23	17-42400 213-A	CABLE, BATTERY TO STARTER	0-61	3	0108-0701	4HF1	105.000	NKR66, NKR66-2
24	17-42400 213-A	CABLE, BATTERY TO STARTER	0-61	3	0702-	4HG1-T	105.000	NKR71T/THD EURO2
25	17-42400 203-A	CABLE, BATTERY TO STARTER	0-61	3	0702-	4JB1-TC	50.000	NHR55, NKR55 EURO2
26	18-94166 037-0	CABLE; BATTERY TO S/MBR, RH	0-61	49	9312-	4JB1	11.500	NHR55
27	17-42400 204-A	CABLE; BATTERY TO S/MBR, RH	0-61	49	0702-	4JB1-TC	31.000	NHR55, NKR55 EURO2
28	19-82933 456-0	CABLE; BATTERY TO S/MBR, RH	0-61	49	9312-	4BE1	90.000	NKR58
29	19-82933 456-0	CABLE; BATTERY TO S/MBR, RH	0-61	49	9312-	4HF1	90.000	NKR66
30	18-97231 243-1	CABLE; BATTERY TO S/MBR, RH	0-61	49	0211-	4HF1	132.000	L=200 (NKR66, NKR71)
31	17-42400 212-A	CABLE; BATTERY TO S/MBR, RH	0-61	49	0702-	4HG1-T	26.000	NKR71T/THD EURO2
	NEW							
1	18-97230 719-1	CABLE; BATTERY (+)	0-61	1	9811-	4HF1	125.000	NKR66
2	17-42400 206-A	CABLE; BATTERY (+)	0-61	1	0310-	4HF1	16.000	NKR66, NKR66-2, NKR71
3	17-42400 213-A	CABLE, BATTERY TO STARTER	0-61	3	0702-	4JB1-TC	105.000	NHR55, NKR55 EURO2
4	17-42400 202-A	CABLE, BATTERY TO STARTER	0-61	3	0310-	4HF1	93.000	NKR66, NKR66-2, NKR71
5	17-42400 204-A	CABLE; BATTERY TO S/MBR, RH	0-61	49	0702-	4JB1-TC	31.000	L=300 NHR55, NKR55 E2
6	17-42400 212-A	CABLE; BATTERY TO S/MBR, RH	0-61	49	0702-	4HG1-T	26.000	L=200 NKR71T/THD E2