

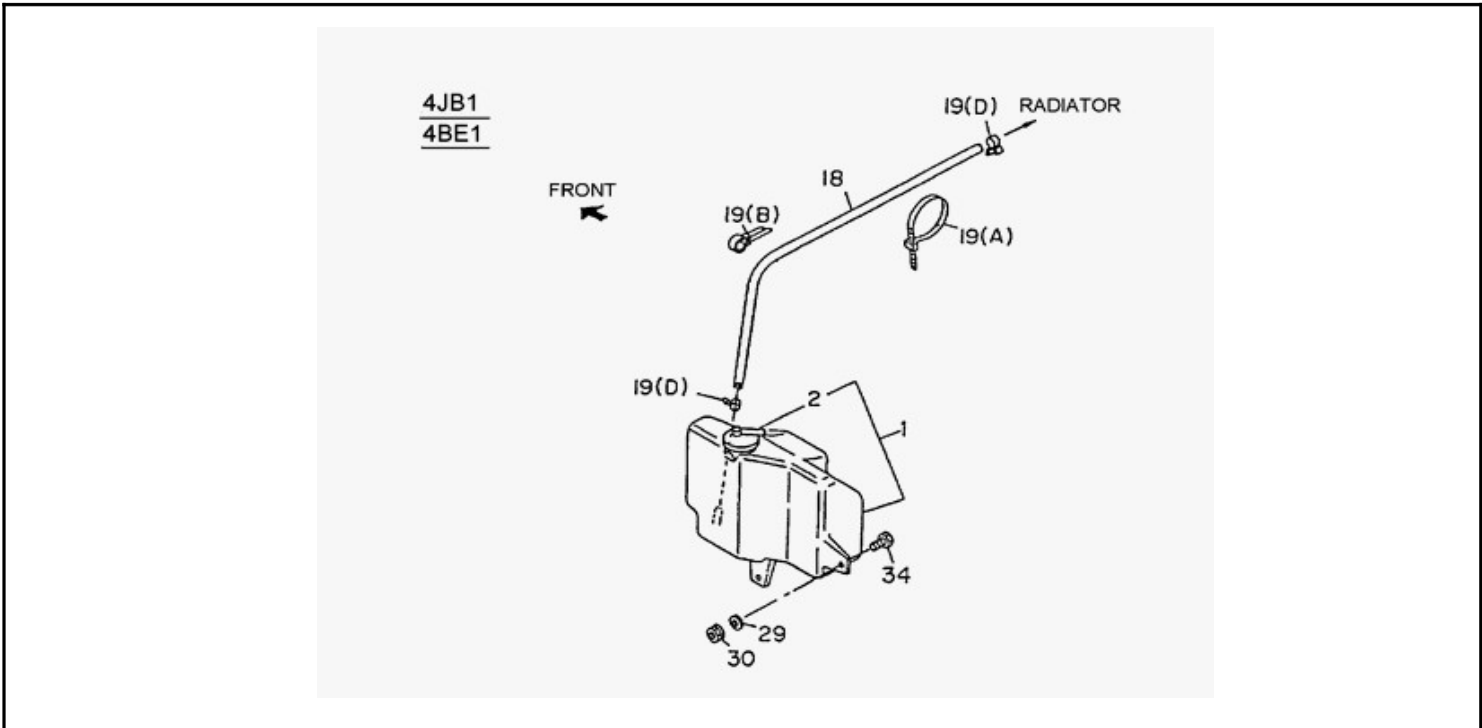
# PART INFORMATION

No : 034/IAMI/INV/V/2009

Tanggal : 20 Mei 2009

Perihal : HOSE SURGE TANK

**FIG.NO : 1-11 HOSE SURGE TANK**



NO	PART NUMBER	ITC	DESCRIPTION	Fig Key	Key	Applied Date	MODEL	PRICE LIST	REMARKS
1	18-97100 929-0		HOSE; RAD TO SURGE TANK	1-11	18	9312-	4JB1	84.000	NHR55
2	18-97106 370-0		HOSE; RAD TO SURGE TANK	1-11	18	9312-9504	4BE1	119.000	NKR58
3	18-97129 556-0		HOSE; RAD TO SURGE TANK	1-11	18	9505-	4BE1	11.000	NKR58
4	18-97095 064-4	C	HOSE; RAD TO SURGE TANK	1-11	18	9312-9504	4HF1	126.000	NKR66
5	18-97162 125-A	C	HOSE; RAD TO SURGE TANK	1-11	18	9608-9711	4HF1	-	NKR66
6	18-97129 554-1		HOSE; RAD TO SURGE TANK	1-11	18	9505-	4HF1	14.000	NKR66, NKR71
7	18-97225 444-A		HOSE; RAD TO SURGE TANK	1-11	18	0610-	4JB1-TC	32.000	NHR55, NKR55 EURO-2
8									
9									
10									
11									
12									
13									
14									
15									