

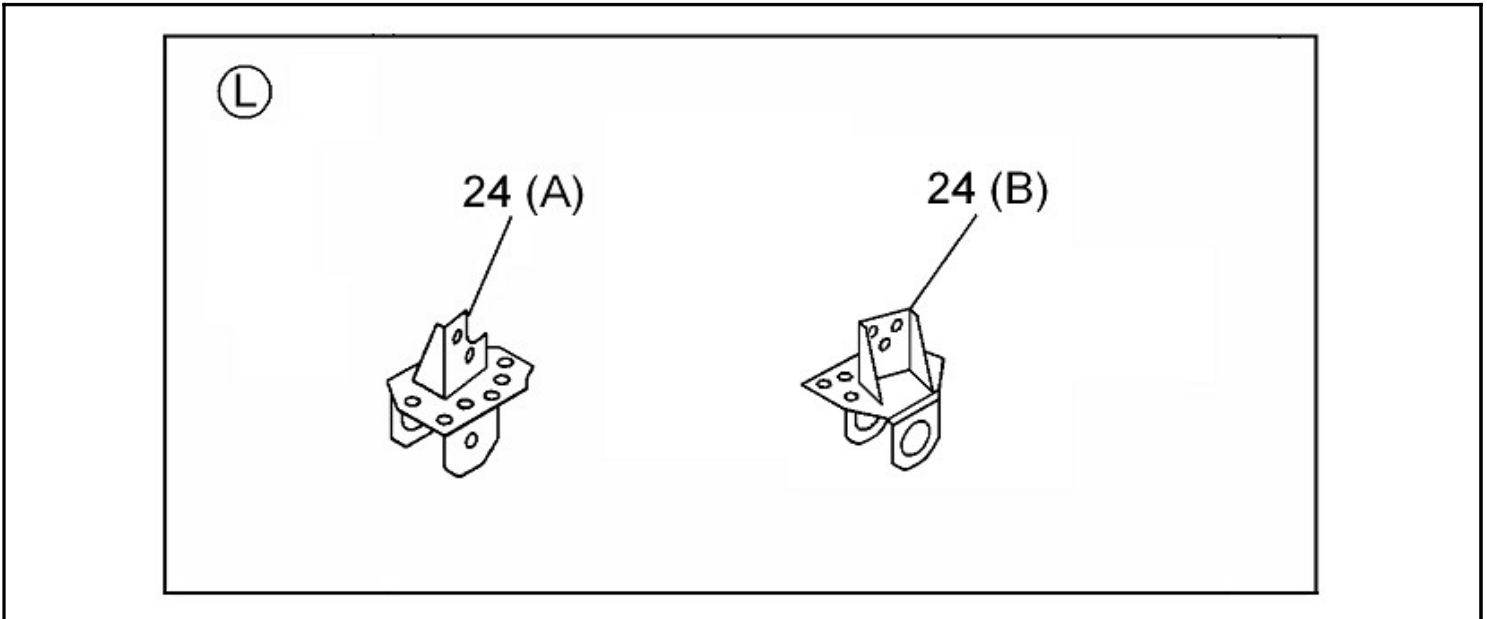
PART INFORMATION

No : 036/IAMI/INV/V/2009

Tanggal : 20 Mei 2009

Perihal : BRACKET; FRT SPRING FRT

FIG.NO : 5-01 BRACKET FRT SPRING FRT



NO	PART NUMBER	ITC	DESCRIPTION	Fig Key	Key	Applied Date	MODEL	PRICE LIST	REMARKS
CURRENT									
1	18-94366 818-1		BRACKET FRT SPRING FRT RH	5-01	24	9312-	4JB1	133.000	RH (NHR 55)
2	18-94366 818-1		BRACKET FRT SPRING FRT RH	5-01	24	9312-	4BE1	133.000	RH (NKR 58)
3	18-94366 818-1		BRACKET FRT SPRING FRT RH	5-01	24	0702-	4JB1-TC	133.000	RH (NHR 55, NKR 55 E2)
4	18-94366 816-1		BRACKET FRT SPRING FRT RH	5-01	24	9312-	4HF1	1.225.000	RH (NKR 66, NKR 71)
5	18-94366 816-1		BRACKET FRT SPRING FRT RH	5-01	24	0702-	4HG1-T	1.225.000	RH (NKR 71 EURO2)
6	18-97065 789-1		BRACKET FRT SPRING FRT LH	5-01	24	9312-	4JB1	133.000	LH (NHR 55)
7	18-97065 789-1		BRACKET FRT SPRING FRT LH	5-01	24	0702-	4JB1-TC	133.000	LH (NHR 55, NKR 55 E2)
8	18-97065 789-1		BRACKET FRT SPRING FRT LH	5-01	24	9312-	4BE1	133.000	LH (NKR 58)
9	18-97065 788-1		BRACKET FRT SPRING FRT LH	5-01	24	9312-	4HF1	1.225.000	LH (NKR 66, NKR 71)
10	18-97065 788-1		BRACKET FRT SPRING FRT LH	5-01	24	0702-	4HG1-T	1.225.000	LH (NKR 71 EURO2)
NEW									
1	17-53155 085-A		BRACKET FRT SPRING FRT RH	5-01	24	9312-	4JB1	133.000	A (NHR 55, NKR 58)
2	17-53155 086-A		BRACKET FRT SPRING FRT LH	5-01	24	9312-	4JB1	133.000	A (NHR 55, NKR 58)
3	17-53155 085-A		BRACKET FRT SPRING FRT RH	5-01	24	9312-0210	4HF1	133.000	A (NKR 66)
4	17-53155 086-A		BRACKET FRT SPRING FRT LH	5-01	24	9312-0210	4HF1	133.000	A (NKR 66)
5	17-53192 069-A		BRACKET FRT SPRING FRT RH	5-01	24	0211-	4HG1-T	-	B (NKR 71 EURO 2)
6	17-53192 070-A		BRACKET FRT SPRING FRT LH	5-01	24	0211-	4HG1-T	-	B (NKR 71 EURO 2)