

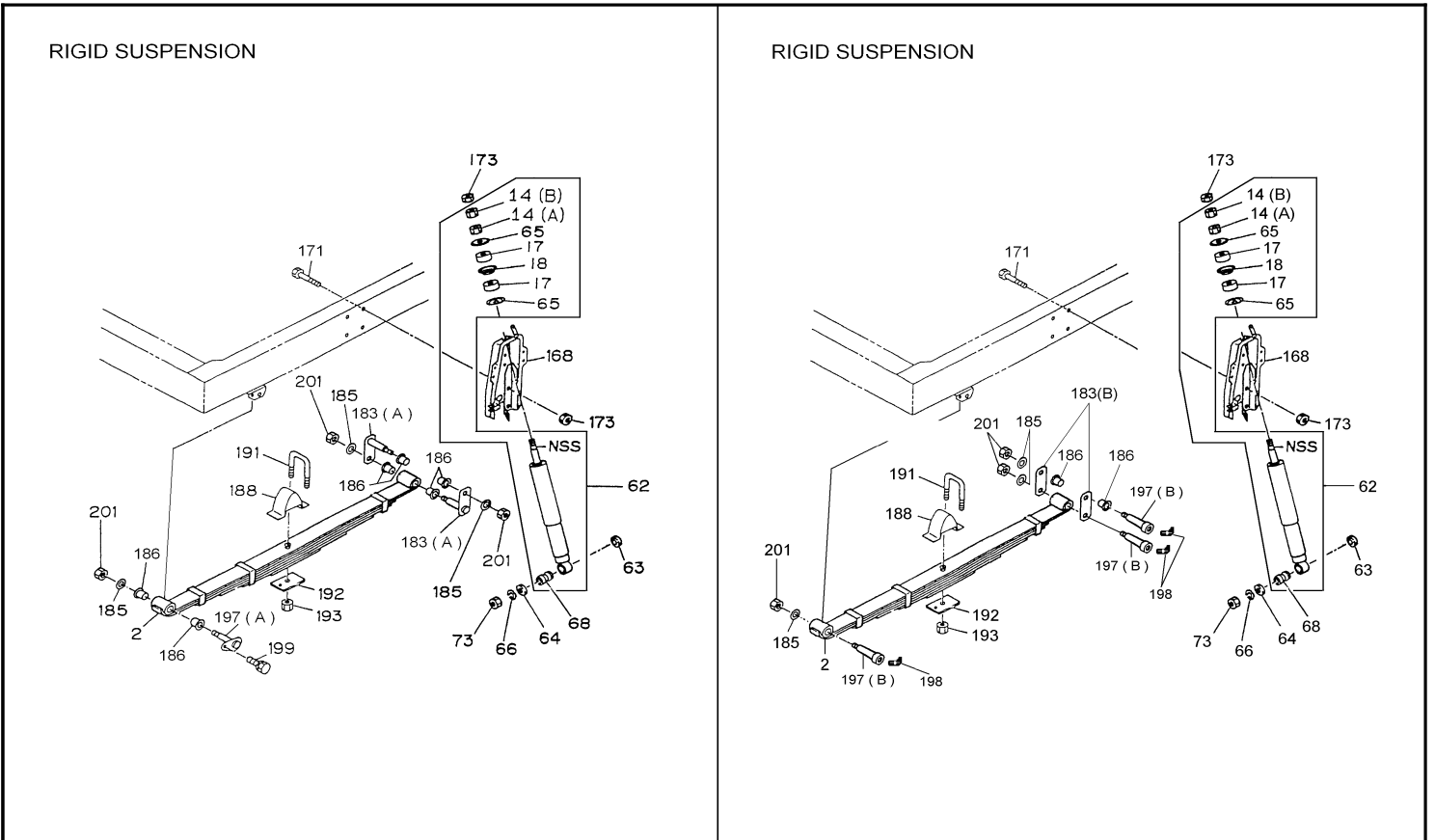
# PART INFORMATION

No : 045/IAMI/INV/VI/2009

Tanggal : 15 Juni 2009

Perihal : **FRONT SUSPENSION**

**FIG.NO : 4-50 FRONT SUSPENSION**



NO	PART NUMBER	UNIT	DESCRIPTION	Fig Key	Key	Applied Date	TYPE	PRICE LIST	REMARKS
Note	Mohon di Update d Data terlampir		Catalog N series						