

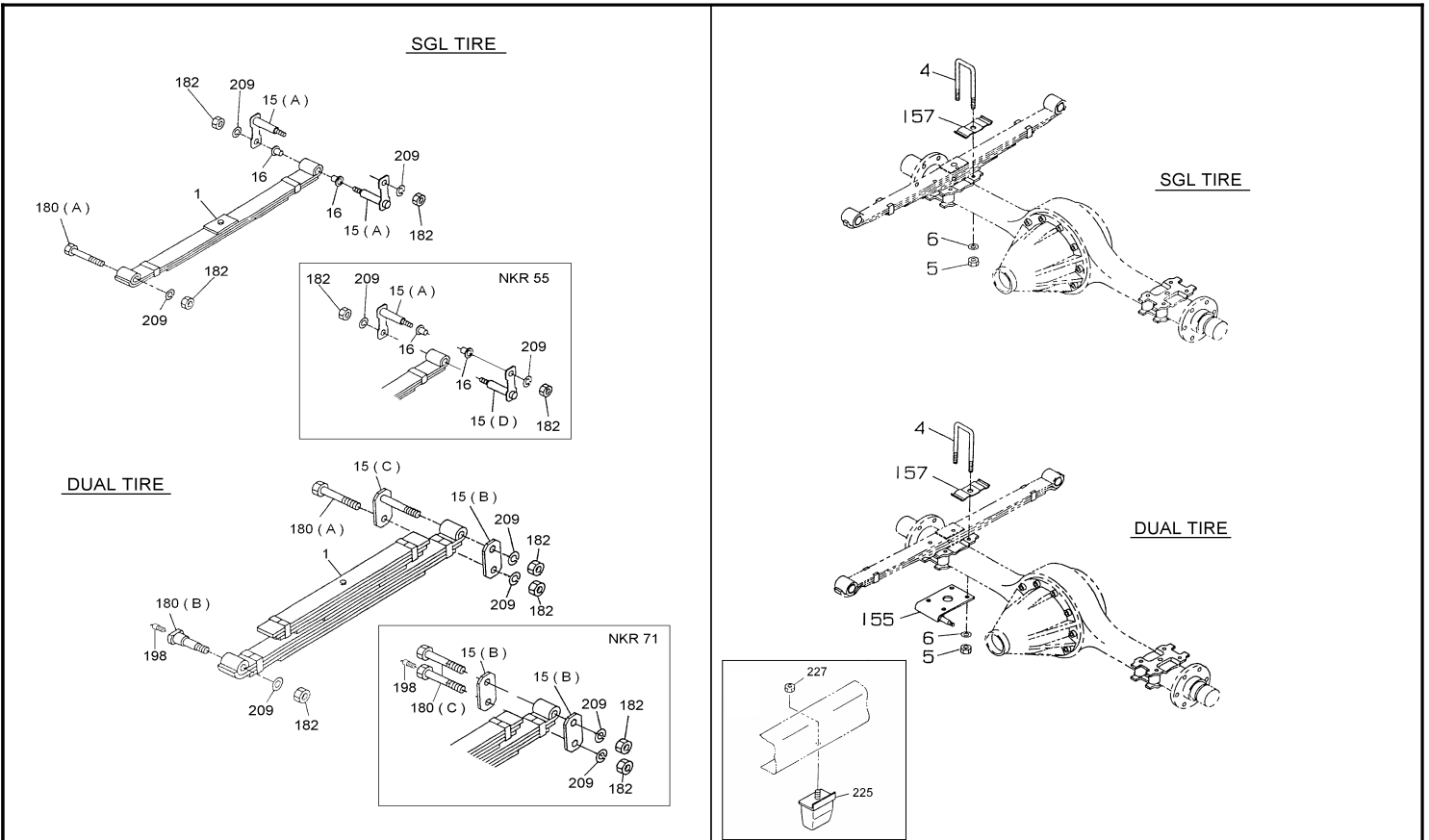
PART INFORMATION

No : 047/IAMI/INV/VI/2009

Tanggal : 15 Juni 2009

Perihal : REAR SUSPENSION

FIG.NO : 4-60 REAR SUSPENSION



NO	PART NUMBER	T/C	DESCRIPTION	Fig Key	Key	Applied Date	TYPE	PRICE LIST	REMARKS
Note	Mohon di Update dan Data terlampir		Catalog N series						