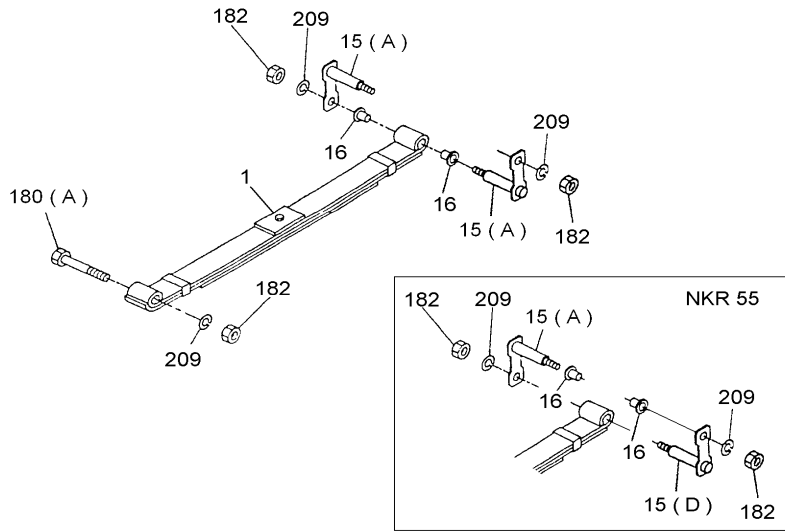
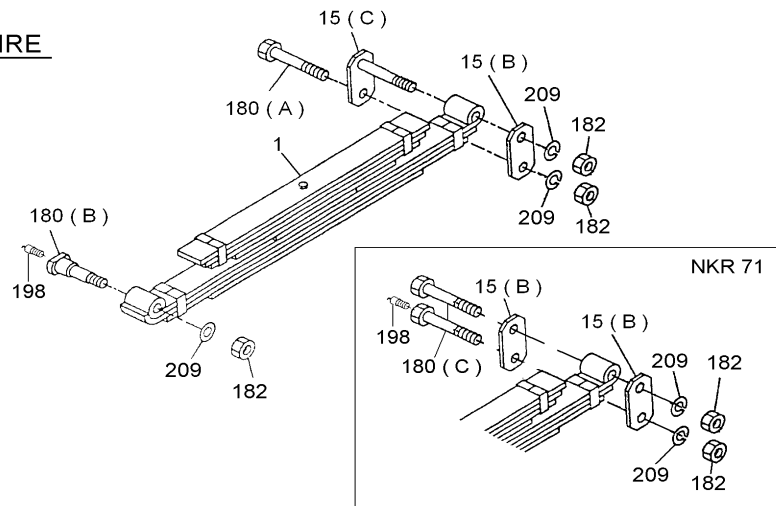


FIG.NO : 4-60 REAR SUSPENSION

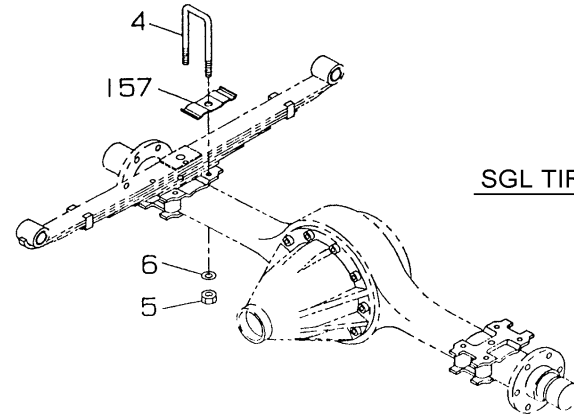
SGL TIRE



DUAL TIRE



SGL TIRE



DUAL TIRE

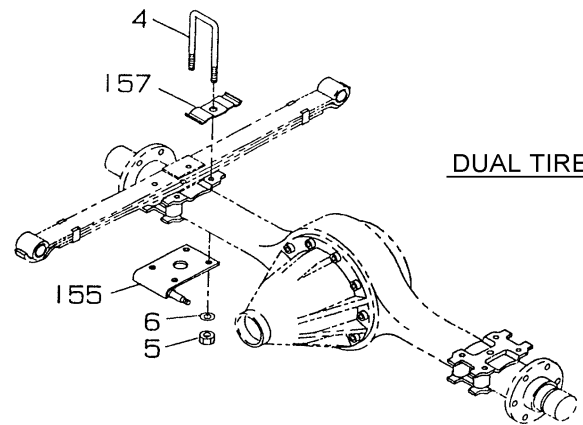
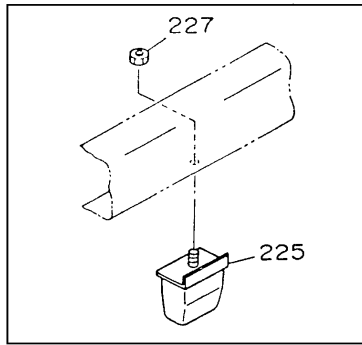


FIG.NO : 4-60 REAR SUSPENSION



KEY NO	PART NUMBER	T C	DESCRIPTION	QTY	APPLIED DATE	MODEL	REMARKS
1	8-94343 132-1	C	SPRING ASM ; LEAF, REAR	2	9312-9805	4JB1	5 LEAF (NHR 55)
	7-66000 217-A		SPRING ASM ; LEAF, REAR	2	9806-	4JB1	NHR 55TRUK (FR AXLE FULL CAST) 5 LEAF (P660002170)
	7-66000 201-A		SPRING ASM ; LEAF, REAR	2	9806-	4JB1	7 LEAF (NHR 55TRUK) (P660002010), FOR WELD AXLE
	7-66000 200-A	C	SPRING ASM ; LEAF, REAR	2	9806-	4JB1	5 LEAF, NHR 55BUS, NHR 5524V
	7-66006 210-A		SPRING ASM ; LEAF, REAR	2	9806-	4JB1	5 LEAF, NHR 55BUS, NHR 5524V
	8-97070 508-0	C	SPRING ASM ; LEAF, REAR	2	9312-	4BE1	10 LEAF (NKR58,NKR662 BUS)
	7-11117 331-A	C	SPRING ASM ; LEAF, REAR	2	_0208	4HF1-2	NKR 66-2 TRUK (NPN-OTH-7331)
	7-66002 200-A	C	SPRING ASM ; LEAF, REAR	2	0209-	4HF1-2	NKR 66-2TRUK (P660022000)
	8-97070 509-0	C	SPRING ASM ; LEAF, REAR	2	9312-	4HF1	10 LEAF (NKR 66)
	2-97070 009-0		SPRING ASM ; LEAF, REAR	2	9811-	4HF1-2	10 LEAF NKR 58, NKR 66-2, NKR 66
	7-11117 334-A	C	SPRING ASM ; LEAF, REAR	2	_0208	4HF1	NKR 66 (NPN-OTH-7334)
	7-66001 200-A		SPRING ASM ; LEAF, REAR	2	0209-	4HG1-T	NKR 66, NKR 71 (P660012000) 13 LEAF NKR 71 EURO2
	8-97033 505-A		SPRING ASM ; LEAF, REAR	2	0702-	4JB1-TC	5 LEAF NKR 55T EURO2
4	8-94127 917-1	C	U BOLT ; REAR SPRING , RR	4	9312-	4JB1	L = 205 (NHR 55)
	7-00007 141-A	C	U BOLT ; REAR SPRING , RR	4	_0208	4JB1	NHR 55BUS (M16 X 205 X 72)
	7-66000 206-A		U BOLT ; REAR SPRING , RR	4	0211-	4JB1	L = 205 (NHR55 BUS, NHR55V) (P660002060)
	7-66000 202-A		U BOLT ; REAR SPRING , RR	4	0209-	4JB1	L = 225 (NHR 55 TRUK) M16X225X72 , (P660002020)
	8-94127 923-1	C	U BOLT ; REAR SPRING , RR	4	9312-	4BE1	L = 265 (NKR 58, NKR66-2)
	7-00007 143-A	C	U BOLT ; REAR SPRING	4	_0210	4HF1-2	NPN-OTH-7143 L = 265 (NKR66-2 TRUK& BUS)
	7-66000 207-A		U BOLT ; REAR SPRING	4	0211-	4HF1-2	P660002070 (M16X265X72) L = 265 (NKR 66-2 TRUK& BUS)

FIG.NO : 4-60 REAR SUSPENSION

KEY NO	PART NUMBER	T C	DESCRIPTION	QTY	APPLIED DATE	MODEL	REMARKS	KEY NO	PART NUMBER	T C	DESCRIPTION	QTY	APPLIED DATE	MODEL	REMARKS		
4	7-51371 029-A		U BOLT ; REAR SPRING	4	0211-	4HF1-2	NKR 66-2 (TRUK SINGLE)	15	7-00007 082-0	C	SHACKLE ; RR SPRING	2	9801-	4HF1	(B) NKR66, 71, 66-2 TRUK		
	8-94132 172-2	C	U BOLT ; REAR SPRING , RR	4	9312-9711	4HF1	NKR 66 (M16 X 285 X 72)			7-66200 202-A		SHACKLE ; RR SPRING	2	0212-	4HF1	(OUTER) NPN-OTH-7082	
	8-97141 874-0		U BOLT ; REAR SPRING , RR	4	9712-	4HF1	NKR 66 (M16 X 285 X 72)										(B) NKR66, 71, 66-2 TRUK
	7-00007 076-A	C	U BOLT ; REAR SPRING	4	_9809	4HF1	NPN-OTH-7076										(OUTER) P662002020
	7-66000 210-A		U BOLT ; REAR SPRING	4	9810-	4HF1	L = 320 (NKR 66HD) P660002100 (M16X320X72)			7-66200 202-A		SHACKLE ; RR SPRING	2	0209-	4HG1-T		(B) NKR 71 EURO 2
	7-66242 220-A		U BOLT ; REAR SPRING	4	0211-	4JB1-TC	(NKR 66HD, NKR 71) NKR 55T EURO2			8-94113 322-3		SHACKLE ; RR SPRING	2	0702-	4JB1-TC		(A) NKR 55 EURO2
							(M16 X 235 X 72L)			8-97033 966-1		SHACKLE ; RR SPRING	2	0702-	4JB1-TC		(D) NKR 55 EURO2
5	8-97147 389-0		NUT ; U BOLT, RR SPRING	8	9312-	4JB1	NHR 55	16	8-94113 323-2		BUSHING, SHACKLE	4	9312-	4JB1	NHR 55		
	8-94107 767-0	C	NUT ; U BOLT, RR SPRING	8	9811-	4JB1	M16 (NHR 55)					REAR SPRING					
	8-97147 389-0		NUT ; U BOLT, RR SPRING	8	9811-	4JB1	M16 (NHR 55)			8-94113 323-2		BUSHING, SHACKLE	2	0702-	4JB1-TC	NKR 55T EURO2	
	8-97147 389-0		NUT ; U BOLT, RR SPRING	8	9312-	4BE1	NKR 58					REAR SPRING					
	8-97147 389-0		NUT ; U BOLT, RR SPRING	8	9312-	4HF1	NKR 66										
	8-94107 767-0	C	NUT ; U BOLT, RR SPRING	8	9811-	4HF1	M16 (NKR66,NKR66-2, NKR 71)										
	8-97147 389-0		NUT ; U BOLT, RR SPRING	8	9811-	4HF1	M16 (NKR66,NKR66-2, NKR 71)		155	7-53192 019-A		BRACKET ; S/ABS LH	1	9312-	4JB1	NHR 55	
	8-97147 389-0		NUT ; U BOLT, RR SPRING	8	0209-	4HG1-T	NKR 55, NKR 71 EURO 2				8-94128 363-3		BRACKET ; S/ABS LH	1	9312-	4BE1	NKR 58
6	8-94137 482-1	C	WASHER ; PL, U-BOLT	8	9312-	4JB1	NHR 55		8-94128 363-3		BRACKET ; S/ABS LH	1	9312-	4HF1	NKR 66		
	8-97360 118-0		WASHER ; PL, U-BOLT	8	9312-	4JB1	NHR 55		8-97205 228-0		BRACKET ; S/ABS LH	1	0103-	4HF1-2	NKR 66-2		
	9-09164 616-0		WASHER ; PL, U-BOLT	8	9801-	4JB1	NHR 55		7-53192 081-A		BRACKET ; S/ABS LH	1	0302-	4HF1	NKR 66, NKR 71		
	8-94137 482-1	C	WASHER ; PL, U-BOLT	8	9312-	4HF1	NKR 58, NKR 66 , NKR66-2, NKR 71		7-53192 081-A		BRACKET ; S/ABS LH	1	0702-	4JB1-TC	NKR 55T EURO2		
	8-97360 118-0		WASHER ; PL, U-BOLT	8	9312-	4HF1	NKR 58, NKR 66 , NKR66-2, NKR 71		7-53192 018-A		BRACKET ; S/ABS RH	1	9312-	4JB1	NHR 55		
	8-97360 118-0		WASHER ; PL, U-BOLT	8	0209-	4HG1-T	NKR 55, NKR 71 EURO 2		8-94128 362-3		BRACKET ; S/ABS RH	1	9312-	4BE1	NKR 58 ,		
									8-94128 362-3		BRACKET ; S/ABS RH	1	9312-	4HF1	NKR 66		
15	8-94113 322-3		SHACKLE ; RR SPRING	4	9312-	4JB1	(A) NHR 55		8-97205 223-0		BRACKET ; S/ABS RH	1	0103-	4HF1-2	NKR 66-2		
	8-94118 511-3		SHACKLE ; RR SPRING	2	9312-	4HF1	(B) NKR 58 , NKR66 BUS		7-53192 080-A		BRACKET ; S/ABS RH	1	0302-	4HF1	NKR 66, NKR 71		
	8-94118 512-4		SHACKLE ; RR SPRING	2	9312-	4HF1	(C) NKR 58 , NKR66 BUS (WITH PIN)		7-53192 018-A		BRACKET ; S/ABS RH	1	0702-	4JB1-TC	NKR 55T EURO2		
	7-00007 081-0	C	SHACKLE ; RR SPRING	2	0212-	4HF1	(B) NKR66, 71, 66-2 TRUK (INNER) NPN-OTH-7081	157	7-53192 080-A		BRACKET ; S/ABS RH	1	0702-	4HG1-T		NKR 71 EURO 2	
	7-66200 203-A		SHACKLE ; RR SPRING	2	0212-	4HF1	(B) NKR66, 71, 66-2 TRUK (INNER) P662002030			8-94119 069-2		CLAMP ; UPPER, RR SPR	2	9312-	4JB1	NHR 55	
	7-66200 203-A		SHACKLE ; RR SPRING	2	0209-	4HG1-T	(B) NKR 71 EURO 2 (INNER) P662002030			8-94119 069-2		CLAMP ; UPPER, RR SPR	2	9312-	4BE1	NKR 58 , NKR66-2	
										8-94118 509-1		CLAMP ; UPPER, RR SPR	2	9312-	4HF1	NKR 66, NKR 71	
								8-94119 069-2		CLAMP ; UPPER, RR SPR	2	0702-	4JB1-TC	NKR 55T EURO2			
								8-94118 509-1		CLAMP ; UPPER, RR SPR	2	0702-	4HG1-T		NKR 71 EURO 2		

FIG.NO : 4-60 REAR SUSPENSION

KEY NO	PART NUMBER	T C	DESCRIPTION	QTY	APPLIED DATE	MODEL	REMARKS	KEY NO	PART NUMBER	T C	DESCRIPTION	QTY	APPLIED DATE	MODEL	REMARKS	
180	9-51361 602-2		PIN ; REAR SPRING	2	9312-	4JB1	(A) FRONT NHR 55	209	8-97070 925-1		WASHER ; PL	6	9312-	4JB1	NHR 55, NKR 55	
	8-97033 967-0	C	PIN ; REAR SPRING	2	9312-	4JBE1	(B) FRONT NKR 58		8-97070 925-1		WASHER ; PL	4	9312-	4BE1	NKR 58 , NKR66-2	
	8-97033 967-0	C	PIN ; REAR SPRING	2	9312-	4HF1	(B) FRONT NKR 66		8-97070 925-1		WASHER ; PL	4	9312-	4HF1	NKR 66	
	8-98011 488-0		PIN ; REAR SPRING	2	9312-	4HF1	(B) FRONT NKR 58, NKR 66		8-97073 435-1		WASHER ; PL	2	9312-	4BE1	NKR 58	
	9-51361 602-2		PIN ; REAR SPRING	2	9312-	4JB1	(A) REAR NKR 58		8-97073 435-1		WASHER ; PL	2	9312-	4HF1	NKR 66	
	9-51361 602-2		PIN ; REAR SPRING	2	9312-	4JB1	(A) REAR NKR 58		8-97070 925-1		WASHER ; PL	4	0702-	4JB1-TC	NKR 55T EURO2	
	9-51361 602-2		PIN ; REAR SPRING	2	0702-	4JB1-TC	(A) FRONT NKR 55 EURO2		7-66000 215-A		WASHER ; PL	4	0702-	4HG1-T	NKR 71 EURO 2	
	7-00007 079-0	C	PIN ; REAR SPRING	2	9312-9712	4HF1	(B) FRONT (NPN-OTH-7090) (NKR 66, NKR 66-2, NKR 71)		225	8-94142 044-3		RUBBER ; CUSHION, REAR SPRING	2	9312-	4JB1	NHR 55, NKR 66-2, NKR 55
	7-66000 212-A		PIN ; REAR SPRING	2	9801-	4HF1	(B) FRONT (P660002120) (NKR 66, NKR 66-2, NKR 71) M20 X 127 X D25			8-94118 510-4		RUBBER ; CUSHION, REAR SPRING	2	9312-	4BE1	NKR 58
	7-11117 080-A	C	PIN ; REAR SPRING	4	9312-9712	4HF1	(C) REAR, (NPN-OTH-7080) (NKR 66, NKR 66-2, NKR 71)			8-94118 510-4		RUBBER ; CUSHION, REAR SPRING	2	9312-	4HF1	NKR 66, NKR 66-2, NKR 71
7-66000 213-A		PIN ; REAR SPRING	4	9801-	4HF1	(C) REAR, (P660002130) (NKR 66, NKR 66-2, NKR 71) M20 X 123 X D25	8-94142 044-3			RUBBER ; CUSHION, REAR SPRING	2	0702-	4JB1-TC	NKR 55T EURO2		
182	9-99110 516-0	C	NUT ; PIN, REAR SPRING	6	9312-	4JB1	M16 (NHR 55)	227	0-91150 112-0	C	NUT ; CUSHION RUBBER	2	9312-	4JB1	NHR 55	
	0-91110 516-0		NUT ; PIN, REAR SPRING	6	9312-	4JB1	M16 (NHR 55)		0-91150 112-0	C	NUT ; CUSHION RUBBER	2	9312-	4BE1	NKR 58 , NKR66-2	
	9-99110 518-0	C	NUT ; PIN, REAR SPRING	2	9312-	4BE1	M18 (NKR58,NKR66-2,NKR66)		0-91150 112-0	C	NUT ; CUSHION RUBBER	2	9312-	4HF1	NKR 66, NKR 71	
	0-91110 518-0		NUT ; PIN, REAR SPRING	2	9312-	4HF1	M18 (NKR58,NKR66-2,NKR66)		0-91180 112-0		NUT ; CUSHION RUBBER	2	9312-	4JB1	NHR 55, NKR 58, NKR 66	
	0-91110 516-0		NUT ; PIN, REAR SPRING	4	9312-	4BE1	M16 (NKR58,NKR66-2,NKR66)		0-91180 112-0		NUT ; CUSHION RUBBER	2	0209-	4HG1-T	NKR 55, NKR 71 EURO 2	
	7-11117 085-A	C	NUT ; PIN, REAR SPRING	6	_0211	4HF1	M20 (NKR 66, NKR 66-2) NPN-OTH-7085									
	7-66000 214-A		NUT ; PIN, REAR SPRING	6	0212-	4HF1	M20 (P660002140) (NKR 66 , NKR66-2, NKR 71)									
	0-91110 516-0		NUT ; PIN, REAR SPRING	6	0702-	4JB1-TC	M16 (NKR 55 EURO2)									
	198	7-66000 219-A		NIPPLE GREASE	6	9801-	4HF1		NKR 71 EURO2							