

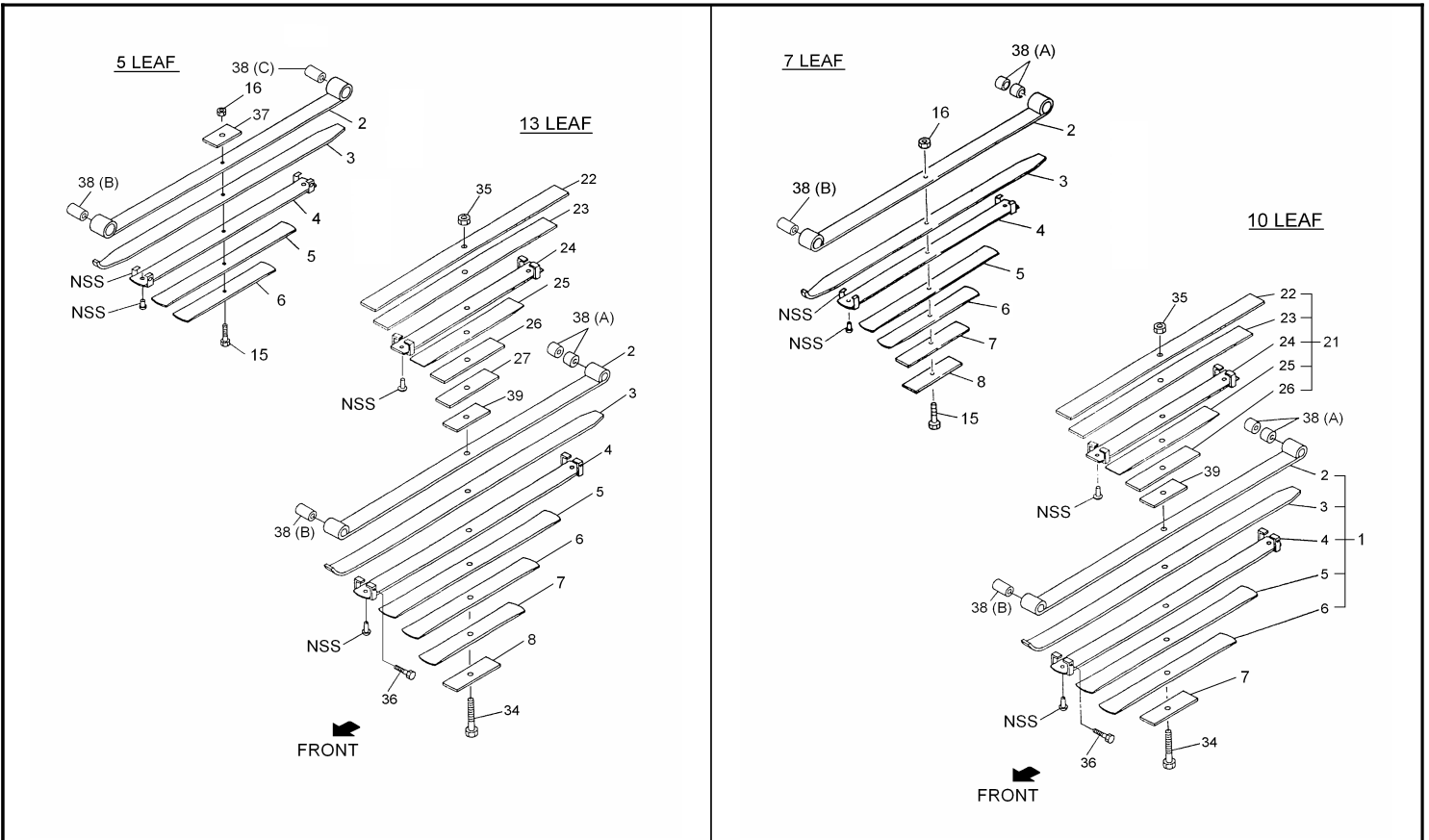
PART INFORMATION

No : 048/IAMI/INV/VI/2009

Tanggal : 15 Juni 2009

Perihal : REAR LEAF SPRING

FIG.NO : 4-65 REAR LEAF SPRING



| NO | PART NUMBER | UNIT | DESCRIPTION | Fig Key | Key | Applied Date | TYPE | PRICE LIST | REMARKS |
|------|-------------------------------------|------|------------------|---------|-----|--------------|------|------------|---------|
| Note | Mohon di Update d Data terlampir | | Catalog N series | | | | | | |