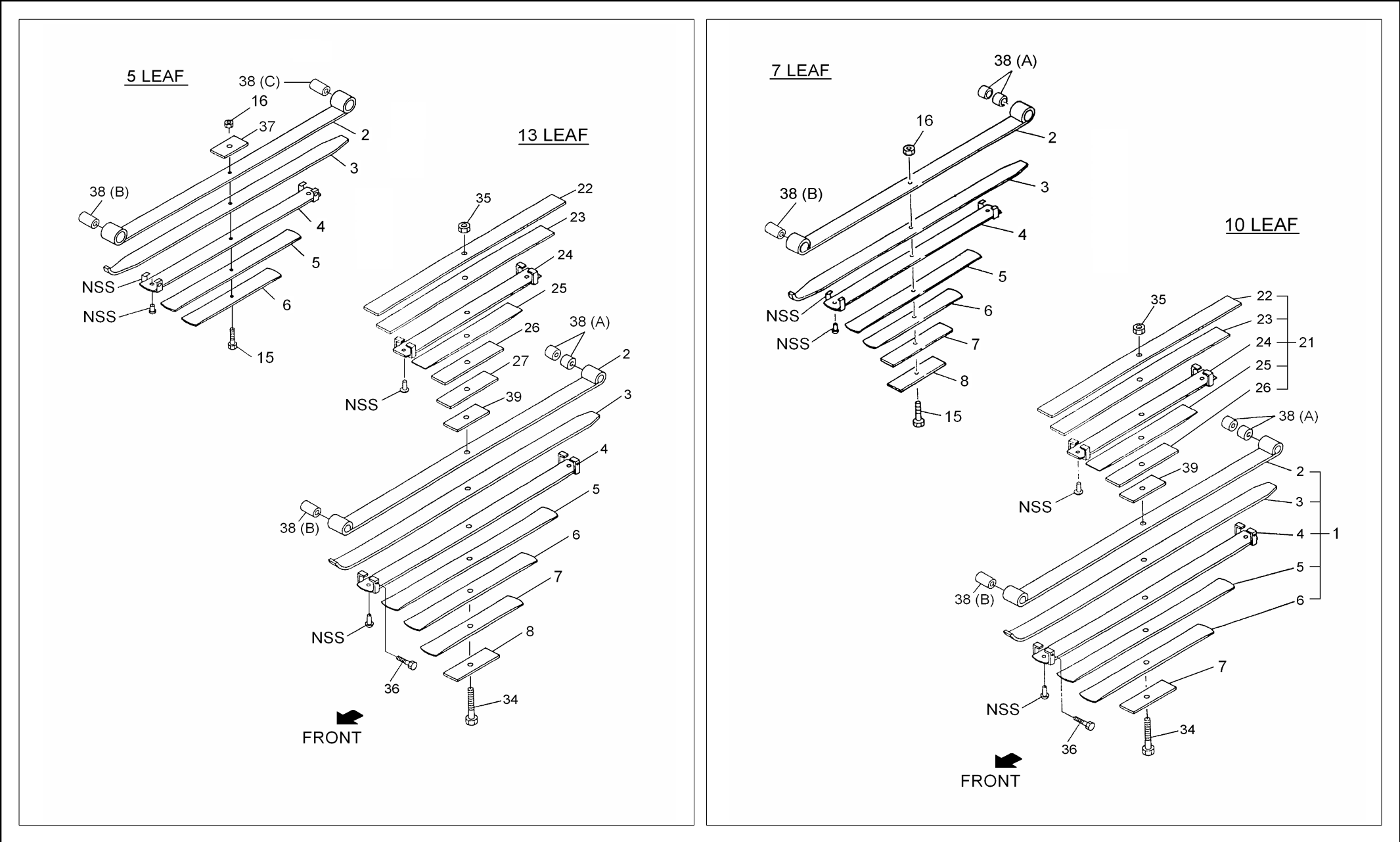


FIG.NO : 4-65 REAR LEAF SPRING



**FIG.NO : 4-65 REAR LEAF SPRING**

KEY NO	PART NUMBER	T C	DESCRIPTION	QTY	APPLIED DATE	MODEL	REMARKS	KEY NO	PART NUMBER	T C	DESCRIPTION	QTY	APPLIED DATE	MODEL	REMARKS	
1	8-97108 417-0	C	SPRING ASM ; LEAF, REAR MAIN	2	9312-	4HF1	NKR 66	3	8-97108 408-0	C	SPRING ; LEAF, NO.2, REAR MAIN	2	9312-	4BE1	NKR 58	
	8-97108 329-0		SPRING ASM ; LEAF, REAR MAIN	2	9312-	4BE1	NKR 58		2-97070 209-0			SPRING ; LEAF, NO.2, REAR MAIN	2	9312-	4HF1	NKR 66
2	8-94448 118-0	C	SPRING ; LEAF, NO.1, REAR MAIN	2	9312-	4JB1	NHR 55	7-66006 212-A			SPRING ; LEAF, NO.2, REAR MAIN	2	0209-	4JB1	NHR 55 ( BUS )	
	2-94343 132-0	C	SPRING ; LEAF, NO.1, REAR MAIN	2	0211-	4JB1	NHR 55		8-97033 525-A			SPRING ; LEAF, NO.2, REAR MAIN	2	0211-	4JB1-TC	NKR 55 EURO 2
	7-66001 201-A		SPRING ; LEAF, NO.1, REAR MAIN	2	0211-	4JB1	NHR 55 ( TRUCK )		7-66001 220-A			SPRING ; LEAF, NO.2, REAR MAIN	2	0211-	4HG1-T	NKR 71 EURO 2
	8-97108 319-0	C	SPRING ; LEAF, NO.1, REAR MAIN	2	9312-	4BE1	NKR 58	4	2-94343 332-0	C	SPRING ; LEAF, NO.3 , REAR MAIN	2	9312-	4JB1	NHR 55	
	8-97108 407-0	C	SPRING ; LEAF, NO.1, REAR MAIN	2	9312-	4HF1	NKR 66		8-94448 120-1	C	SPRING ; LEAF, NO.3 , REAR MAIN	2	9312-	4JB1	NHR 55	
	2-97070 108-0	C	SPRING ; LEAF, NO.1, REAR MAIN	2	9312-	4HF1	NKR 58, NKR 66		7-66005 201-A			SPRING ; LEAF, NO.3 , REAR MAIN	2	9312-	4JB1	5 LEAF NHR 55 ( TRUCK )
	2-97070 109-0		SPRING ; LEAF, NO.1, REAR MAIN	2	9312-	4HF1	NKR 58, NKR 66		7-66003 201-A			SPRING ; LEAF, NO.3 , REAR MAIN	2	0101-	4JB1	7 LEAF NHR 55 ( TRUCK )
	7-66006 211-A		SPRING ; LEAF, NO.1, REAR MAIN	2	0211-	4JB1	NHR 55 ( BUS )		2-97070 308-0	C	SPRING ; LEAF, NO.3 , REAR MAIN	2	9312-	4BE1	NKR 58	
	8-97033 515-A		SPRING ; LEAF, NO.1, REAR MAIN	2	0211-	4JB1-TC	NKR 55 EURO 2		8-97108 321-0	C	SPRING ; LEAF, NO.3 , REAR MAIN	2	9312-	4BE1	NKR 58	
	7-66001 210-A		SPRING ; LEAF, NO.1, REAR MAIN	2	0209-	4HG1-T	NKR 71 EURO 2		8-97108 409-0	C	SPRING ; LEAF, NO.3 , REAR MAIN	2	9312-	4HF1	NKR 66	
3	2-94343 232-0	C	SPRING ; LEAF, NO.2, REAR MAIN	2	9312-	4JB1	NHR 55	2-97070 309-0			SPRING ; LEAF, NO.3 , REAR MAIN	2	9312-	4HF1	NKR 66	
	8-94448 119-0	C	SPRING ; LEAF, NO.2, REAR MAIN	2	9312-	4JB1	NHR 55	7-66006 213-A			SPRING ; LEAF, NO.3 , REAR MAIN	2	0211-	4JB1	NHR 55 ( BUS )	
	7-66002 201-A		SPRING ; LEAF, NO.2, REAR MAIN	2	0211-	4JB1	NHR 55 ( TRUCK )	8-97033 535-A			SPRING ; LEAF, NO.3 , REAR MAIN	2	0211-	4JB1-TC	NKR 55 EURO 2	
	2-97070 208-0	C	SPRING ; LEAF, NO.2, REAR MAIN	2	9312-	4BE1	NKR 58	7-66001 230-A			SPRING ; LEAF, NO.3 , REAR MAIN	2	0209-	4HG1-T	NKR 71 EURO 2	
	8-97108 320-0	C	SPRING ; LEAF, NO.2, REAR MAIN	2	9312-	4HF1	NKR 66									

**FIG.NO : 4-65 REAR LEAF SPRING**

KEY NO	PART NUMBER	T C	DESCRIPTION	QTY	APPLIED DATE	MODEL	REMARKS	KEY NO	PART NUMBER	T C	DESCRIPTION	QTY	APPLIED DATE	MODEL	REMARKS
5	2-94343 432-0	C	SPRING ; LEAF, NO.4 , REAR MAIN	2	9312-	4JB1	NHR 55	6	2-97070 509-0		SPRING ; LEAF, NO.5 , REAR MAIN	2	9312-	4HF1	NKR 66
	7-66006 201-A		SPRING ; LEAF, NO.4 , REAR MAIN	2	9312-	4JB1	5 LEAF NHR 55 ( TRUCK )		7-66006 215-A		SPRING ; LEAF, NO.5 , REAR MAIN	2	0211-	4JB1	NHR 55 ( BUS )
	7-66004 201-A	C	SPRING ; LEAF, NO.4 , REAR MAIN	2	0101-	4JB1	7 LEAF NHR 55 ( TRUCK )		8-97033 555-A		SPRING ; LEAF, NO.5 , REAR MAIN	2	0211-	4JB1-TC	NKR 55 EURO 2
	7-66003 201-A		SPRING ; LEAF, NO.4 , REAR MAIN	2	0101-	4JB1	7 LEAF NHR 55 ( TRUCK )		7-66001 250-A		SPRING ; LEAF, NO.5 , REAR MAIN	2	0209-	4HG1-T	NKR 71 EURO 2
	2-97070 408-0	C	SPRING ; LEAF, NO.4 , REAR MAIN	2	9312-	4BE1	NKR 58								
	8-97108 322-0	C	SPRING ; LEAF, NO.4 , REAR MAIN	2	9312-	4BE1	NKR 58	7	7-66006 201-A		SPRING ; LEAF, NO.6 , REAR MAIN	2	0101-	4JB1	7 LEAF NHR 55 ( TRUCK )
	8-97108 410-0	C	SPRING ; LEAF, NO.4 , REAR MAIN	2	9312-	4HF1	NKR 66		2-97070 609-0		SPRING ; LEAF, NO.6 , REAR MAIN	2	9312-	4HF1	NKR 66
	2-97070 409-0		SPRING ; LEAF, NO.4 , REAR MAIN	2	9312-	4HF1	NKR 66		7-66001 260-A		SPRING ; LEAF, NO.6 , REAR MAIN	2	0209-	4HG1-T	NKR 71 EURO 2
	7-66006 214-A		SPRING ; LEAF, NO.4 , REAR MAIN	2	0211-	4JB1	NHR 55 ( BUS )								
	8-97033 545-A		SPRING ; LEAF, NO.4 , REAR MAIN	2	0211-	4JB1-TC	NKR 55 EURO 2	8	7-66007 201-A		SPRING ; LEAF, NO.7 , REAR MAIN	2	0101-	4JB1	7 LEAF NHR 55 ( TRUCK )
	7-66001 240-A		SPRING ; LEAF, NO.4 , REAR MAIN	2	0209-	4HG1-T	NKR 71 EURO 2		7-66001 270-A		SPRING ; LEAF, NO.7 , REAR MAIN	2	0209-	4HG1-T	NKR 71 EURO 2
6	2-94343 532-0	C	SPRING ; LEAF, NO.5 , REAR MAIN	2	9312-	4JB1	NHR 55	21	8-97108 330-0	C	SPRING ASM ; LEAF, REAR HELPER	2	9312-	4BE1	NKR 58
	7-66007 201-A		SPRING ; LEAF, NO.5 , REAR MAIN	2	9312-	4JB1	5 LEAF NHR 55 ( TRUCK )		8-97108 418-0		SPRING ASM ; LEAF, REAR HELPER	2	9312-	4HF1	NKR 66
	7-66005 201-A		SPRING ; LEAF, NO.5 , REAR MAIN	2	0101-	4JB1	7 LEAF NHR 55 ( TRUCK )								
	2-97070 508-0	C	SPRING ; LEAF, NO.5 , REAR MAIN	2	9312-	4BE1	NKR 58	22	2-97070 108-H	C	SPRING ; LEAF, NO.1 , REAR HELPER	2	9312-	4BE1	NKR 58
	8-97108 323-0	C	SPRING ; LEAF, NO.5 , REAR MAIN	2	9312-	4BE1	NKR 58		8-97108 324-0	C	SPRING ; LEAF, NO.1 , REAR HELPER	2	9312-	4BE1	NKR 58
	8-97108 411-0	C	SPRING ; LEAF, NO.5 , REAR MAIN	2	9312-	4HF1	NKR 66		7-66001 271-A		SPRING ; LEAF, NO.1 , REAR HELPER	2	0209-	4HG1-T	NKR 71 EURO 2

**FIG.NO : 4-65 REAR LEAF SPRING**

KEY NO	PART NUMBER	T C	DESCRIPTION	QTY	APPLIED DATE	MODEL	REMARKS	KEY NO	PART NUMBER	T C	DESCRIPTION	QTY	APPLIED DATE	MODEL	REMARKS
22	2-97070 109-H	C	SPRING ; LEAF, NO.1 , REAR HELPER	2	9312-	4HF1	NKR 66	25	2-97070 408-H	C	SPRING ; LEAF, NO.4 , REAR HELPER	2	9312-	4BE1	NKR 58
	8-97108 412-0	C	SPRING ; LEAF, NO.1 , REAR HELPER	2	9312-	4HF1	NKR 66		8-97108 327-0	C	SPRING ; LEAF, NO.4 , REAR HELPER	2	9312-	4BE1	NKR 58
	7-66001 271-A		SPRING ; LEAF, NO.1 , REAR HELPER	2	0209-	4HG1-T	NKR 71 EURO 2		2-97070 409-H		SPRING ; LEAF, NO.4 , REAR HELPER	2	9312-	4HF1	NKR 66
23	2-97070 208-H	C	SPRING ; LEAF, NO.2 , REAR HELPER	2	9312-	4BE1	NKR 58		8-97108 415-0	C	SPRING ; LEAF, NO.4 , REAR HELPER	2	9312-	4HF1	NKR 66
	8-97108 325-0	C	SPRING ; LEAF, NO.2 , REAR HELPER	2	9312-	4BE1	NKR 58		2-97070 409-H		SPRING ; LEAF, NO.4 , REAR HELPER	2	9312-	4HF1	NKR 66
	7-66001 272-A		SPRING ; LEAF, NO.2 , REAR HELPER	2	0209-	4HG1-T	NKR 71 EURO 2		7-66001 274-A		SPRING ; LEAF, NO.4 , REAR HELPER	2	0209-	4HG1-T	NKR 71 EURO 2
	2-97070 209-H	C	SPRING ; LEAF, NO.2 , REAR HELPER	2	9312-	4HF1	NKR 66	26	2-97070 508-H	C	SPRING ; LEAF, NO.5 , REAR HELPER	2	9312-	4BE1	NKR 58
	8-97108 413-0	C	SPRING ; LEAF, NO.2 , REAR HELPER	2	9312-	4HF1	NKR 66		8-97108 328-0	C	SPRING ; LEAF, NO.5 , REAR HELPER	2	9312-	4BE1	NKR 58
	7-66001 272-A		SPRING ; LEAF, NO.2 , REAR HELPER	2	0209-	4HG1-T	NKR 71 EURO 2		2-97070 509-H		SPRING ; LEAF, NO.5 , REAR HELPER	2	9312-	4HF1	NKR 66
24	2-97070 308-H	C	SPRING ; LEAF, NO.3 , REAR HELPER	2	9312-	4BE1	NKR 58		8-97108 416-0	C	SPRING ; LEAF, NO.5 , REAR HELPER	2	9312-	4HF1	NKR 66
	8-97108 326-0	C	SPRING ; LEAF, NO.3 , REAR HELPER	2	9312-	4BE1	NKR 58		2-97070 509-H		SPRING ; LEAF, NO.5 , REAR HELPER	2	9312-	4HF1	NKR 66
	2-97070 309-H		SPRING ; LEAF, NO.3 , REAR HELPER	2	9312-	4HF1	NKR 66		7-66001 275-A		SPRING ; LEAF, NO.5 , REAR HELPER	2	0209-	4HG1-T	NKR 71 EURO 2
	8-97108 414-0	C	SPRING ; LEAF, NO.3 , REAR HELPER	2	9312-	4HF1	NKR 66	27	7-66001 276-A		SPRING ; LEAF, NO.6 , REAR HELPER	2	0209-	4HG1-T	NKR 71 EURO 2
	2-97070 309-H		SPRING ; LEAF, NO.3 , REAR HELPER	2	9312-	4HF1	NKR 66								
	7-66001 273-A		SPRING ; LEAF, NO.3 , REAR HELPER	2	0209-	4HG1-T	NKR 71 EURO 2								

**FIG.NO : 4-65 REAR LEAF SPRING**

KEY NO	PART NUMBER	T C	DESCRIPTION	QTY	APPLIED DATE	MODEL	REMARKS	KEY NO	PART NUMBER	T C	DESCRIPTION	QTY	APPLIED DATE	MODEL	REMARKS
34	8-94448 730-0	C	BOLT ; CENTER, LEAF SPRING, REAR MAIN	2	9312-	4JB1	L=75 NHR 55	38	8-97227 996-0	C	BUSHING ; LEAF SPRING, RR	2	9312-	4JB1	(B) NHR 55
	8-94448 730-A		BOLT ; CENTER, LEAF SPRING, REAR MAIN	2	9312-	4JB1	L=75 NHR 55		8-97227 996-0	C	BUSHING ; LEAF SPRING, RR	2	9312-	4JB1	(B) NKR 58, NKR 66-2
	8-94165 311-0		BOLT ; CENTER, LEAF SPRING, REAR MAIN	2	9312-	4BE1	L=125 NKR 58		8-97227 996-0	C	BUSHING ; LEAF SPRING, RR	2	9312-	4JB1	(B) NKR 66
	8-94165 311-0		BOLT ; CENTER, LEAF SPRING, REAR MAIN	2	9312-	4HF1	L=125 NKR 66		8-97227 996-A	C	BUSHING ; LEAF SPRING, RR	2	9312-	4JB1	(B) NHR55, NKR58, NKR66
	8-94165 305-A		BOLT ; CENTER, LEAF SPRING, REAR MAIN	2	0101-	4JB1	L=95 NHR 55		8-94249 427-0	C	BUSHING ; LEAF SPRING, RR	4	9312-	4JB1	(A) NHR 55
	8-94165 306-A		BOLT ; CENTER, LEAF SPRING, REAR MAIN	2	0211-	4JB1-TC	L=100 NKR 55 EURO 2		8-94249 427-A	C	BUSHING ; LEAF SPRING, RR	4	9312-	4JB1	(A) NHR 55
	8-94165 292-A		BOLT ; CENTER, LEAF SPRING, REAR MAIN	2	0211-	4JB1	L=65 NHR 55 ( BUS )		8-97184 699-1		BUSHING ; LEAF SPRING, RR	4	9312-	4BE1	(A) NKR 58, NKR 66-2
	8-94165 293-A		BOLT ; CENTER, LEAF SPRING, REAR MAIN	2	0209-	4HG1-T	L=160 NKR 71 EURO 2		8-97184 699-1		BUSHING ; LEAF SPRING, RR	4	9312-	4HF1	(A) NKR 66
									8-97227 996-0	C	BUSHING ; LEAF SPRING, RR	2	0211-	4JB1-TC	(B) NKR 55 EURO 2
35	9-99110 112-0	C	NUT ; CENTER BOLT, LEAF SPRING, REAR	2	9312-	4JB1	NHR 55	8-97227 996-A		BUSHING ; LEAF SPRING, RR	2	0211-	4JB1-TC	(B) NKR 55 EURO 2	
	9-99110 512-0	C	NUT ; CENTER BOLT, LEAF SPRING, REAR	2	9312-	4BE1	NKR 58	8-97034 380-0	C	BUSHING ; LEAF SPRING, RR	2	0211-	4JB1-TC	(C) NKR 55 EURO 2	
	9-99110 512-0	C	NUT ; CENTER BOLT, LEAF SPRING, REAR	2	9312-	4HF1	NKR 66	8-97034 380-A	C	BUSHING ; LEAF SPRING, RR	2	0211-	4JB1-TC	(C) NKR 55 EURO 2	
	0-91110 512-0		NUT ; CENTER BOLT, LEAF SPRING, REAR	2	9312-	4JB1	NHR 55, NKR 58, NKR 66	7-00007 078-0		BUSHING ; LEAF SPRING, RR	2	0209-	4HG1-T	(B) NKR 71 EURO 2	
	0-91110 512-0		NUT ; CENTER BOLT, LEAF SPRING, REAR	2	0209-	4JB1-TC	NKR 55 EURO 2	7-00007 095-0		BUSHING ; LEAF SPRING, RR	4	0209-	4HG1-T	(A) NKR 71 EURO 2	
	0-91110 512-0		NUT ; CENTER BOLT, LEAF SPRING, REAR	2	0209-	4HG1-T	NKR 71 EURO 2								
36	8-94407 133-0		BOLT ; CLIP, LEAF SPR RR	2	9312-	4BE1	NKR 58								
	8-94407 133-0		BOLT ; CLIP, LEAF SPR RR	2	9312-	4HF1	NKR 66								
37	8-94448 734-0		SPACER ; CENTER, LEAF SPRING, REAR	2	9312-	4JB1	NHR 55								