

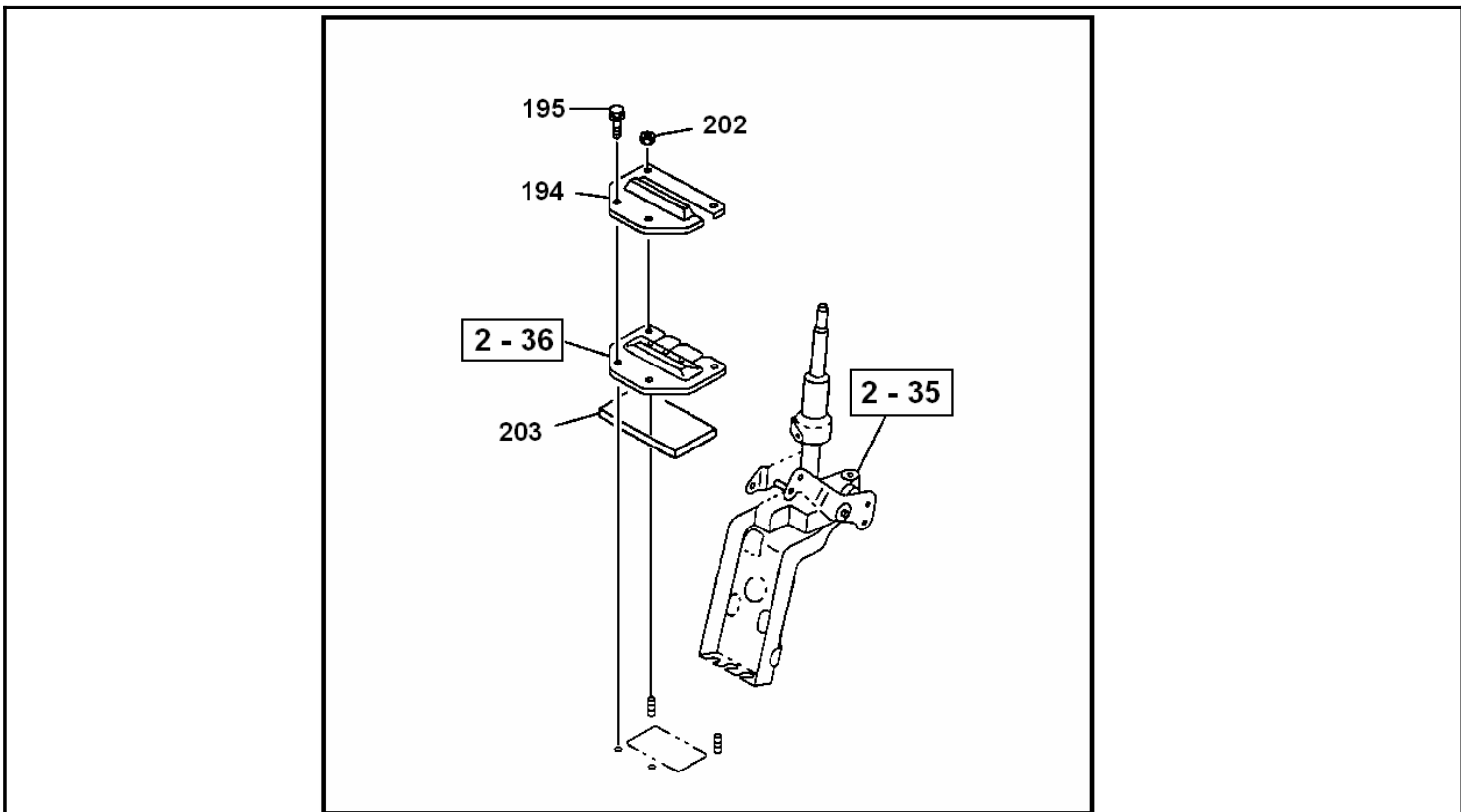
PART INFORMATION

No : 049/IAMI/INV/VI/2009

Tanggal : 15 Juni 2009

Perihal : **AUTO TRANS CONTROL LINK**

FIG.NO : 2-56 AUTO TRANS CONTROL LINK



NO	PART NUMBER	ITC	DESCRIPTION	Fig Key	Key	Applied Date	TYPE	PRICE LIST	REMARKS
1	8-97048 319-1		RETAINER; GROMMET	2-06	194	0211-	4JB1-TC		- NHR55, NKR55 EURO 2
2	8-97048 319-1		RETAINER; GROMMET	2-06	194	0211-	4HG1		- MT/MYY5T (NKR71 E2)
3	0-28480 620-0		BOLT; GROMMET FIX	2-06	195	0211-	4JB1-TC	6.000	NHR55, NKR55 EURO 2
4	0-28480 620-0		BOLT; GROMMET FIX	2-06	195	0211-	4HG1	6.000	MT/MYY5T (NKR71 E2)
5	0-91150 206-0		NUT; GROMMET	2-06	202	0211-	4JB1-TC	2.500	NHR55, NKR55 EURO 2
6	0-91150 206-0		NUT; GROMMET	2-06	202	0211-	4HG1	2.500	MT/MYY5T (NKR71 E2)
7	8-97096 753-0		SEAL; CABLE	2-06	203	0211-	4JB1-TC	13.500	NHR55, NKR55 EURO 2
8	8-97096 753-0		SEAL; CABLE	2-06	203	0211-	4HG1	13.500	MT/MYY5T (NKR71 E2)