

PART INFORMATION

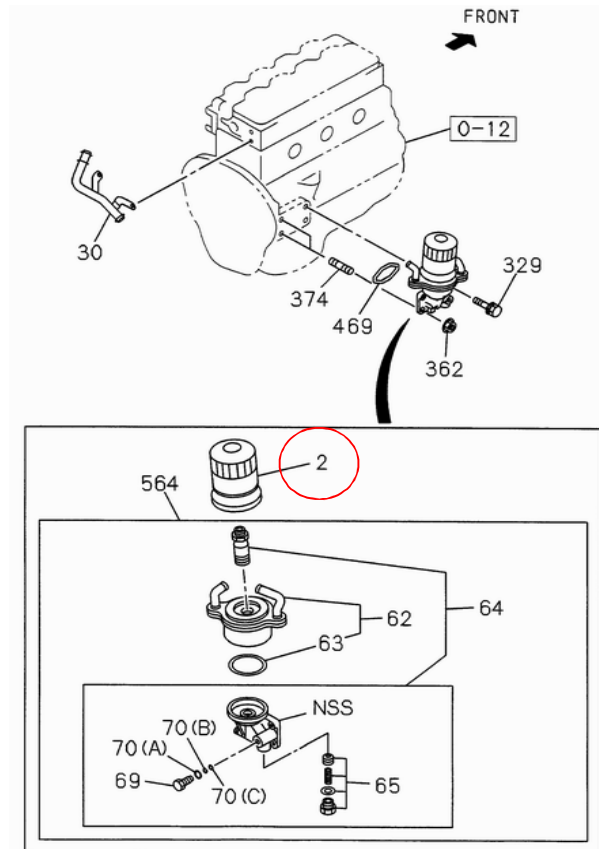
No : 082/IAMI/INV/III/2010
Tanggal : 18 MARET 2010
Perihal : OIL COOLER AND OIL FILTER

FIG NO: 0-50 OIL COOLER AND OIL FILTER

PART IADG

16-97309 927-0
OIL FILTER P165 EURO 2

Untuk setiap pembelian part di atas
mendapatkan **Discount = 5%**



NO	PART NUMBER	DESCRIPTION	Fig Key	Key	TYPE	APPLIED DATE	REMARKS
1	16-97309 927-0	OIL FILTER	0-50	2	TBR541	0911-	EURO2