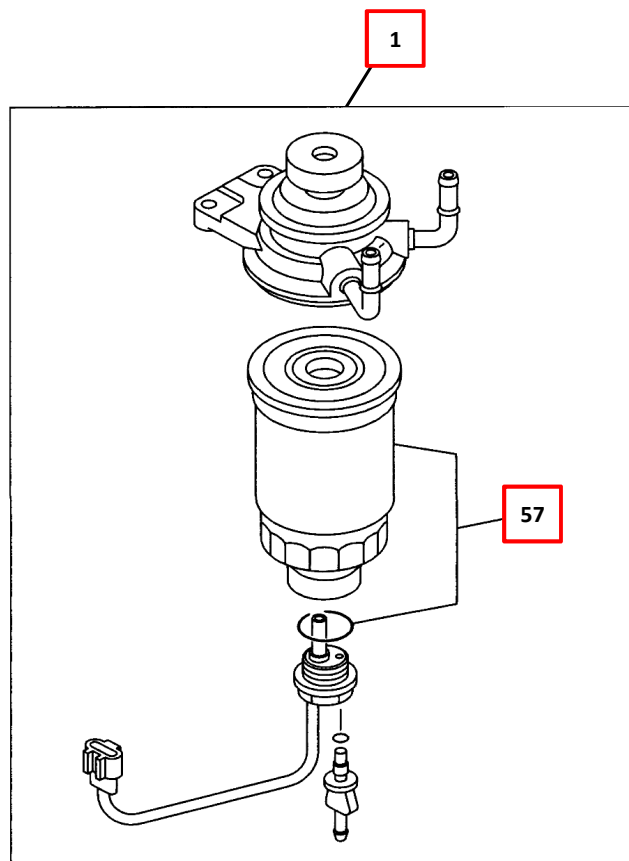


PART INFORMATION

No : FORM/D/16/006/Rev00
 Reff No : 001/PI/PART/IAMI/17
 Tanggal : 31 Januari 2017
 Perihal : FUEL FILTER NHR55 (4JB1-TC)

FIG NO : 1-45 WATER SEDIMENTER; FUEL



NO	PART NUMBER	ITC	DESCRIPTION	FIG No.	KEY NO.	APPLIED DATE	RETAIL	REMARKS
1	I8-98371 819-A		FUEL FILTER ASM	1-45	1	1612-	Rp250.000	NHR55 (4JB1-TC)
2	I8-98372 221-A		FUEL FILTER	1-45	57	1612-	Rp67.000	NHR55 (4JB1-TC)