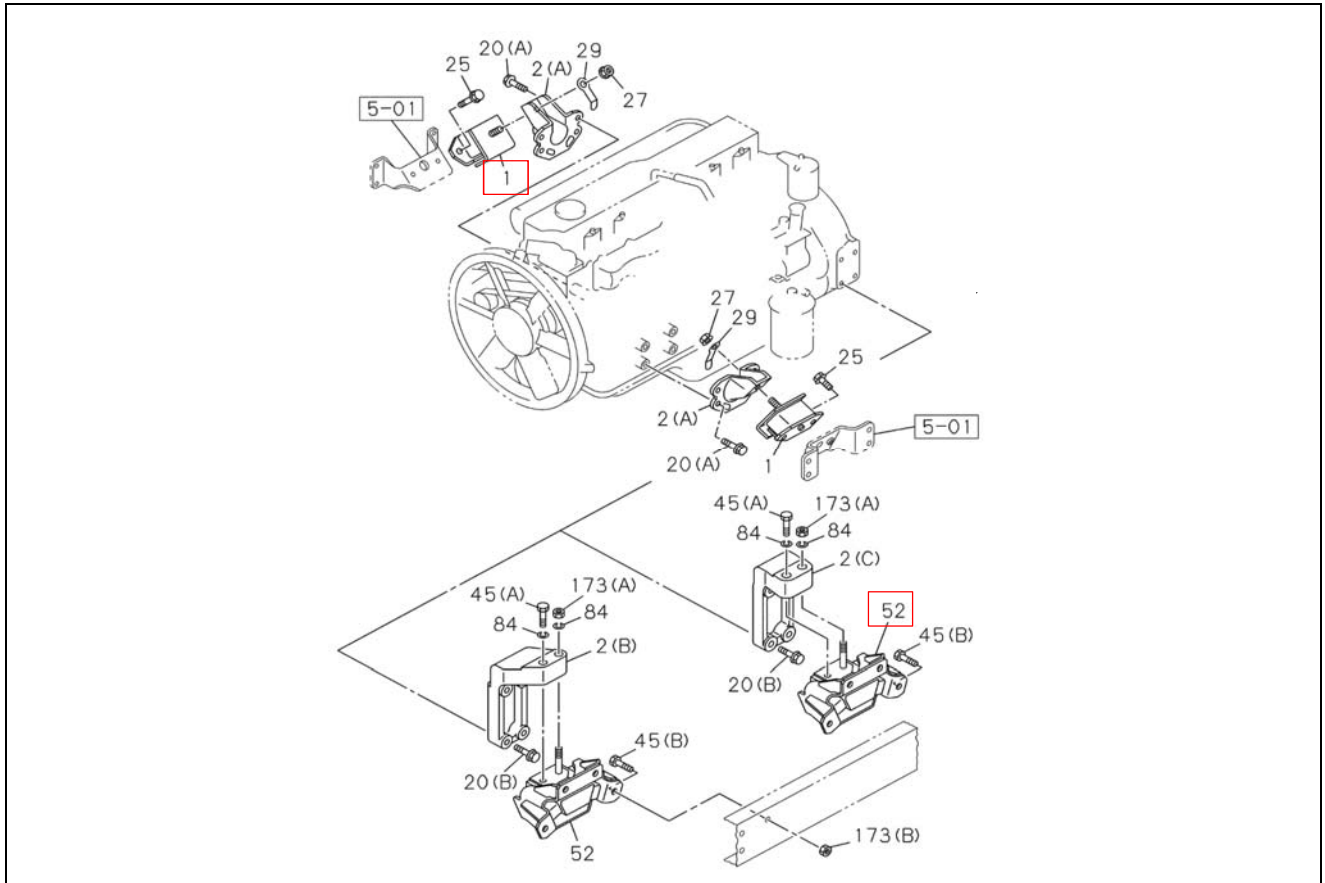


PART INFORMATION

No : FORM/D/16/006/Rev00
 Ref No : 001/PI/PART/IAMI/I/21
 Tanggal : 21 Januari 2021
 Perihal : RUBBER ENG FOOT; RUBBER CUSHION, ENG MTG RR, GIGA VF78 IADG

FIG NO : 0-22 ENGINE MOUNTING

NO	PART NUMBER	ITC	DESCRIPTION	FIG No.	KEY NO.	APPLIED DATE	REMARKS
1	16-53215 172-2		RUBBER; ENG FOOT, FRT	022	1	1102-	FVR; FVM; FVZ; GVR; GVZ (VF78)
2	16-98013 022-2		RUBBER; CUSHION, ENG MTG RR	022	52	1102-	FVR-HP; FVM-HP; FVZ; GVR; GVZ (VF78)