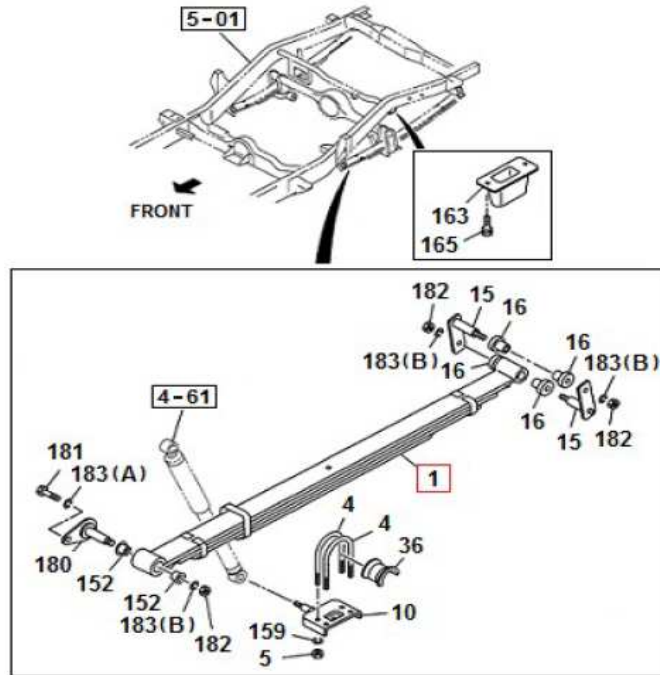


## PART INFORMATION

No : 001 / PI / PART / IAMI / I / 15  
 Tanggal : 06 Januari 2015  
 Perihal : SPRING ASM; REAR, TBR541, IADG

**FIG.NO : 4-60 REAR SUSPENSION****4JA1-T**

NO	PART NEW	DESCRIPTION	FIG No.	KEY NO.	APPLIED DATE	RETAIL	REMARKS
1	16-66010 106-0	SPRING ASM LEAF RR,P165E2	4-60	1	0610-	Rp585.000	TBR541 (P165)