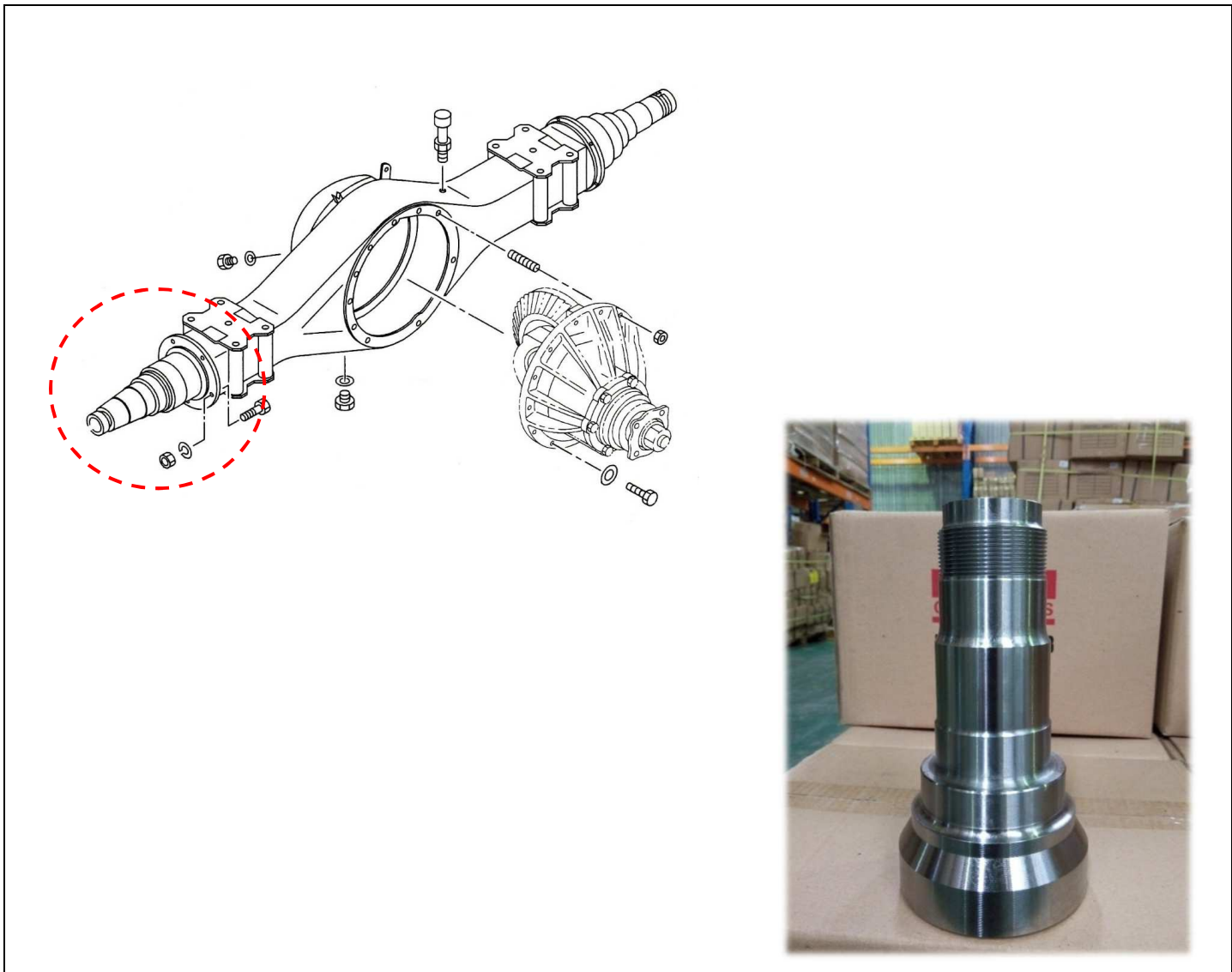


PART INFORMATION

No : FORM/D/16/006/Rev00
 Reff No : 002/PI/PART/IAMI/II/17
 Tanggal : 14 Februari 2017
 Perihal : END TUBE NKR71 (4HG1-T)

FIG NO : 4-20 REAR AXLE CASE AND SHAFT



NO	PART NUMBER	ITC	DESCRIPTION	FIG No.	KEY NO.	APPLIED DATE	RETAIL	REMARKS
1	18-98285 153-0		END; TUBE	4-20		1502-	Rp790.000	NKR71 (4HG1-T)