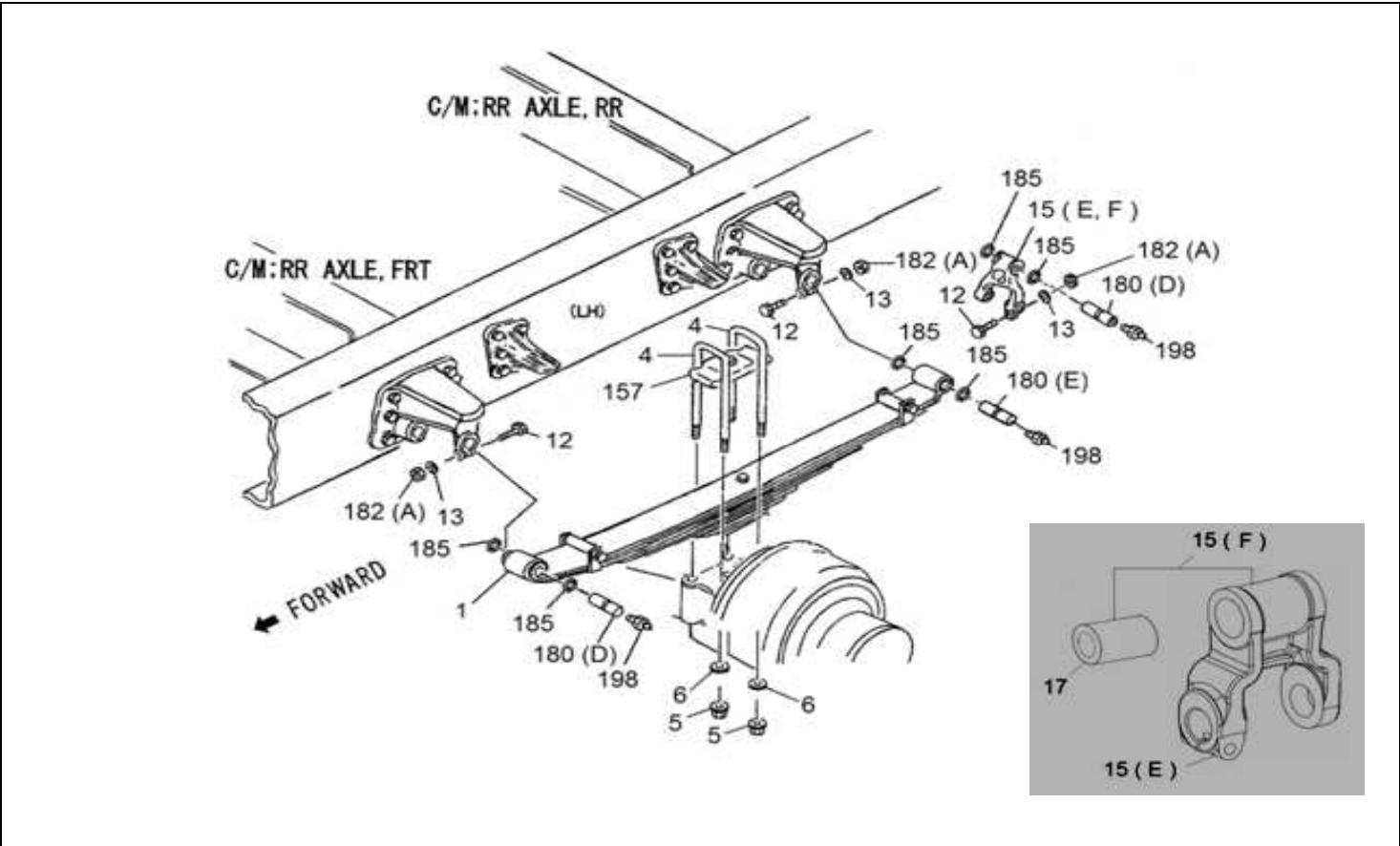


PART INFORMATION

No : 002 / PI / PART / IAMI / I / 2014
Tanggal : 28 Jan 2014
Perihal : REAR SUSPENSION NKR71 HARIMAU

FIG.NO : 4-60 REAR SUSPENSION



NO	PART NEW	DESCRIPTION	FIG No.	KEY NO.	APPLIED DATE	RETAIL	REMARKS
1	7-66020 212-A	SPRING ASM ; LEAF, REAR	4-60	1	1202-	3.825.000	NKR71-T std
2	7-66020 213-A	SPRING ASM ; LEAF, REAR	4-60	1	1202-	2.925.000	NKR71-THD, HARIMAU
3	7-66000 210-A	U BOLT ; REAR SPRING	4-60	4	1202-	69.000	NKR71-T/THD, HARIMAU
4	8-97360 121-0	NUT ; U BOLT, RR SPRING	4-60	5	1202-	14.000	NKR71-T/THD, HARIMAU
5	8-97360 118-0	WASHER ; PL, U-BOLT	4-60	6	1202-	11.500	NKR71-T/THD, HARIMAU
6	7-04510 060-A	BOLT; REAR SPRING	4-60	12	1202-	4.000	NKR71-T/THD, HARIMAU
7	0-91510 810-0	WASHER; RR SPR SHKL	4-60	13	1202-	2.000	NKR71-T/THD, HARIMAU
8	7-66226 212-A	SHACKLE ; RR SPRING	4-60	15(E)	1202-	#N/A	W/O BUSHING
9	7-66226 210-A	SHACKLE ; RR SPRING	4-60	15(F)	1202-	187.000	W/BUSHING
10	7-66220 211-A	BUSHING, SHACKLE RR SPR	4-60	17	1202-	49.000	NKR71-T/THD, HARIMAU
11	8-94118 509-1	CLAMP ; UPPER, RR SPR	4-60	157	1202-	96.000	NKR71-T/THD, HARIMAU
12	7-66230 212-A	PIN ; REAR SPRING	4-60	180(D)	1202-	38.000	Length 133.2 mm
13	7-66230 211-A	PIN ; REAR SPRING	4-60	180(E)	1202-	42.000	Length 113.5 mm
14	0-91110 510-0	NUT ; PIN, REAR SPRING	4-60	182(A)	1202-	11.000	NKR71-T/THD, HARIMAU
15	7-66231 211-A	SPACER; RR SPR SHKL	4-60	185	1202-	3.500	NKR71-T/THD, HARIMAU
16	7-66000 219-A	NIPPLE GREASE	4-60	198	1202-	8.000	NKR71-T/THD, HARIMAU

Prepared by : Eddy Pramono , 28 Jan 2014