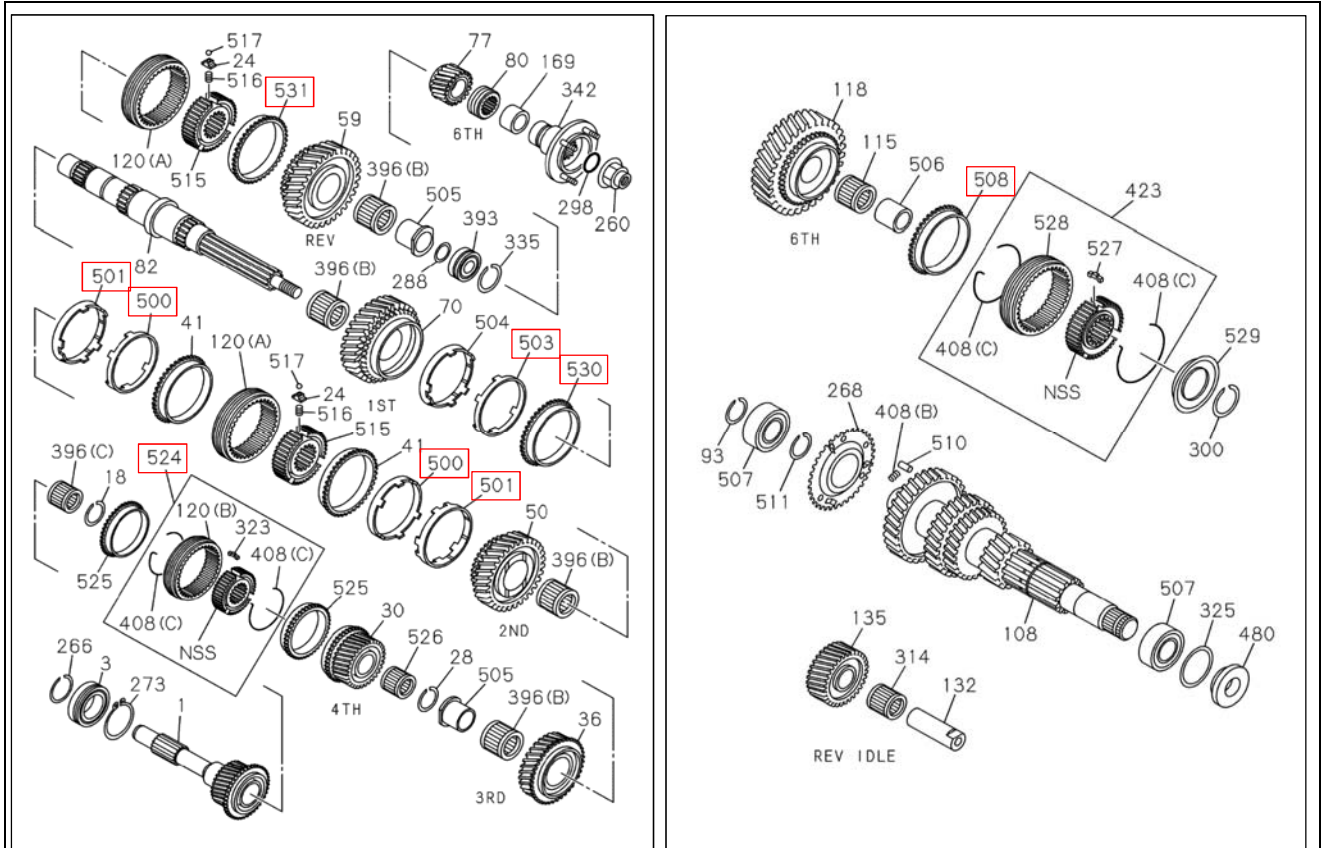


# PART INFORMATION

No : **FORM/D/16/006/Rev00**  
 Reff No : **002/PI/PART/IAMI/I/21**  
 Tanggal : **21 Januari 2021**  
 Perihal : **RING INSIDE; RING OUTSIDE; RING BLOCK, SLEEVE AND HUB ASM, NLR-NMR IADG**

**FIG NO : 2-26 MANUAL TRANSMISSION GEAR**



NO	PART NUMBER	ITC	DESCRIPTION	FIG No.	KEY NO.	APPLIED DATE	REMARKS
1	16-97241 312-0		RING; INSIDE, 3RD & 2ND	226	501	1512-	NLR71; NMR71; NMR81; NPS81; NQR81
2	16-97241 309-0		RING; OUTSIDE, 3RD & 2ND	226	500; 503	1512-	NLR71; NMR71; NMR81; NPS81; NQR81
3	16-97309 532-0		RING; BLOCK, 6TH	226	508	1512-	NMR71; NMR81; NPS81; NQR81
4	16-97366 526-0		SLEEVE & HUB ASM; TOP-4TH,	226	524	1512-	NLR71; NMR71; NMR81; NPS81; NQR81
5	16-97241 306-0		RING; BLOCK, 2ND & 3RD	226	530	1512-	NLR71; NMR71; NMR81; NPS81; NQR81
6	16-97368 343-0		RING; BLOCK, REV	226	531	1512-	NLR71; NMR71; NMR81; NPS81; NQR81