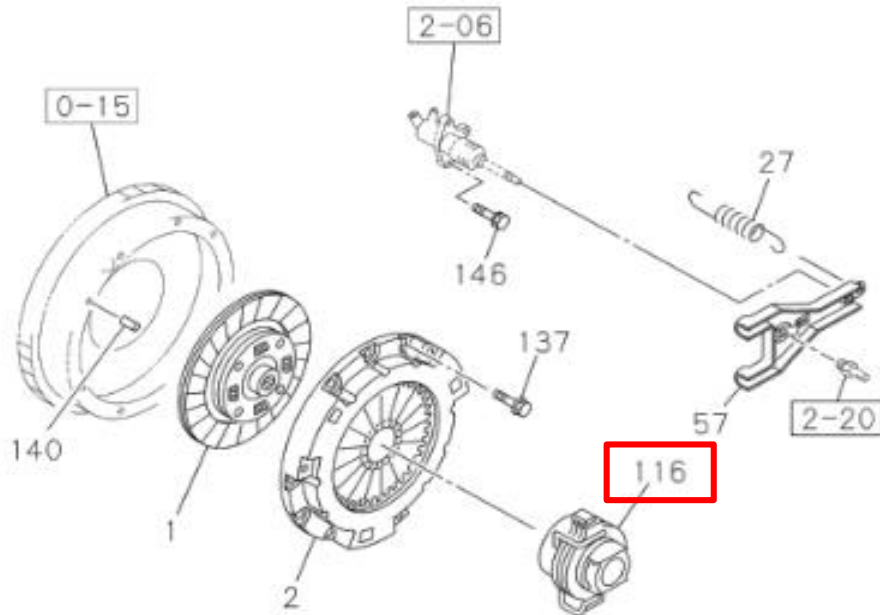


PART INFORMATION

No : FORM/D/16/006/Rev00
 Ref No : 003/PI/PART/IAMI/V/19
 Tanggal : 06 Mei 2019
 Perihal : Block Shift Clutch

FIG NO : 2-01 CLUTCH



NO	PART NUMBER	ITC	DESCRIPTION	FIG No.	KEY NO.	APPLIED DATE	RETAIL	REMARKS
1	16-97316 602-0		BLOCK; SHIFT, CLUTCH	2-01	116	0702-	Rp320.000	NHR55, NKR55 EURO 2
2	16-97255 313-0		BLOCK; SHIFT, CLUTCH	2-01	116	0702-	Rp520.000	NKR 71

