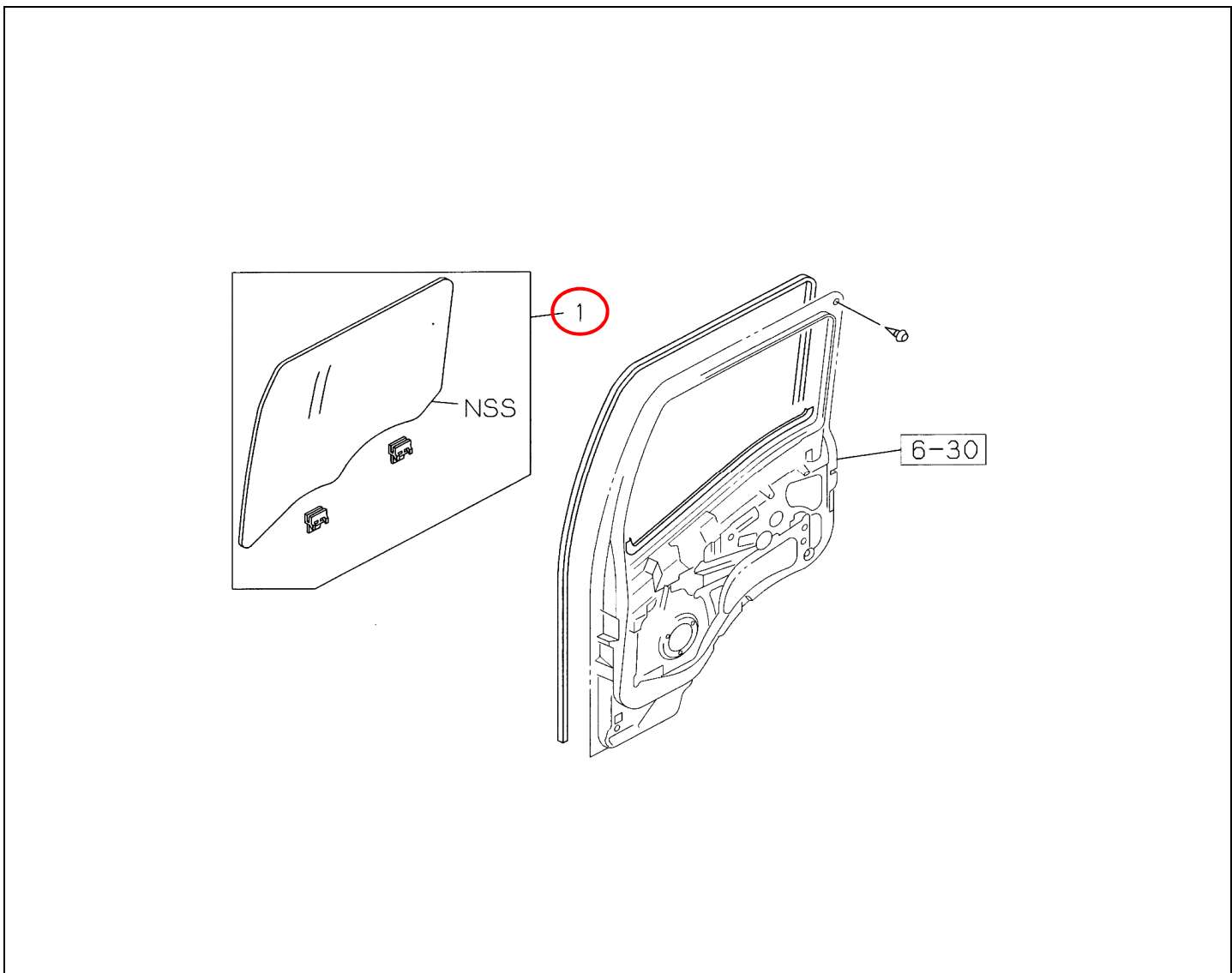


# PART INFORMATION

No : FORM/D/16/006/Rev00  
 Reff No : 003/PI/PART/IAMI/VIII/17  
 Tanggal : 1 Agustus 2017  
 Perihal : GLASS FRT DOOR, NLR/NMR

**FIG NO : 6-31 FRONT DOOR GLASS AND REGULATOR**



NO	PART NUMBER	ITC	DESCRIPTION	FIG No.	KEY NO.	APPLIED DATE	RETAIL	REMARKS
1	I8-98029 189-A	C	GLASS; FRT DOOR, RH	6-31	1	1512-1707	Rp420.000	NLR; NMR
	I8-97696 474-A		GLASS; FRT DOOR, RH	6-31	1	1708-	Rp420.000	NLR; NMR
2	I8-98029 190-A	C	GLASS; FRT DOOR, LH	6-31	1	1512-1707	Rp420.000	NLR; NMR
	I8-97696 475-A		GLASS; FRT DOOR, LH	6-31	1	1708-	Rp420.000	NLR; NMR