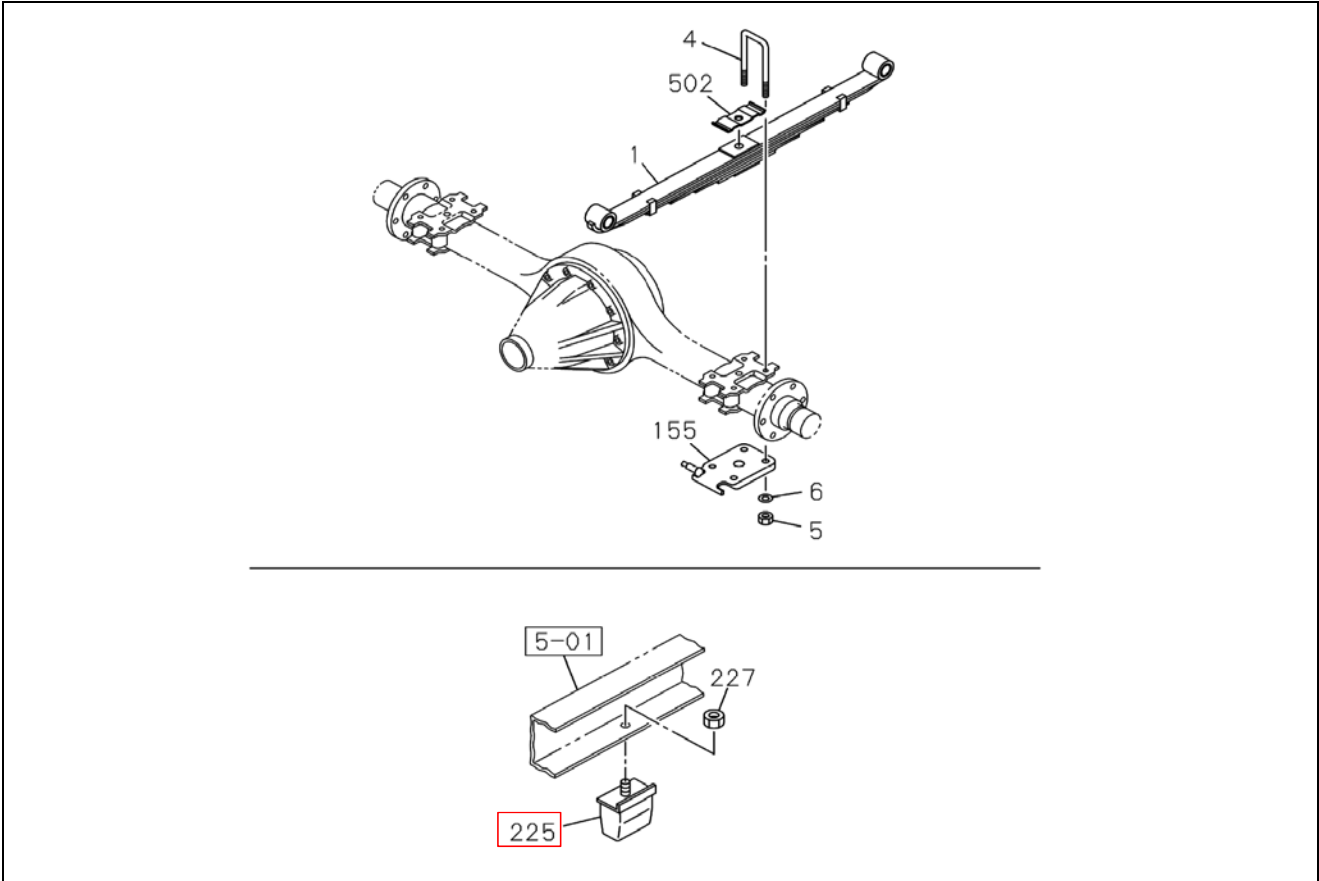


PART INFORMATION

No : FORM/D/16/006/Rev00
 Ref No : 003/PI/PART/IAMI/I/21
 Tanggal : 21 Januari 2021
 Perihal : RUBBER CUSHION RR SPRING, NKR-NMR IADG

FIG NO : 4-60 REAR SUSPENSION



NO	PART NUMBER	ITC	DESCRIPTION	FIG No.	KEY NO.	APPLIED DATE	REMARKS
1	I6-66802 212-0		RUBBER; CUSHION, RR SPR	460	225	1202-	NKR71
						1512-	NKR71; NMR71, NMR81