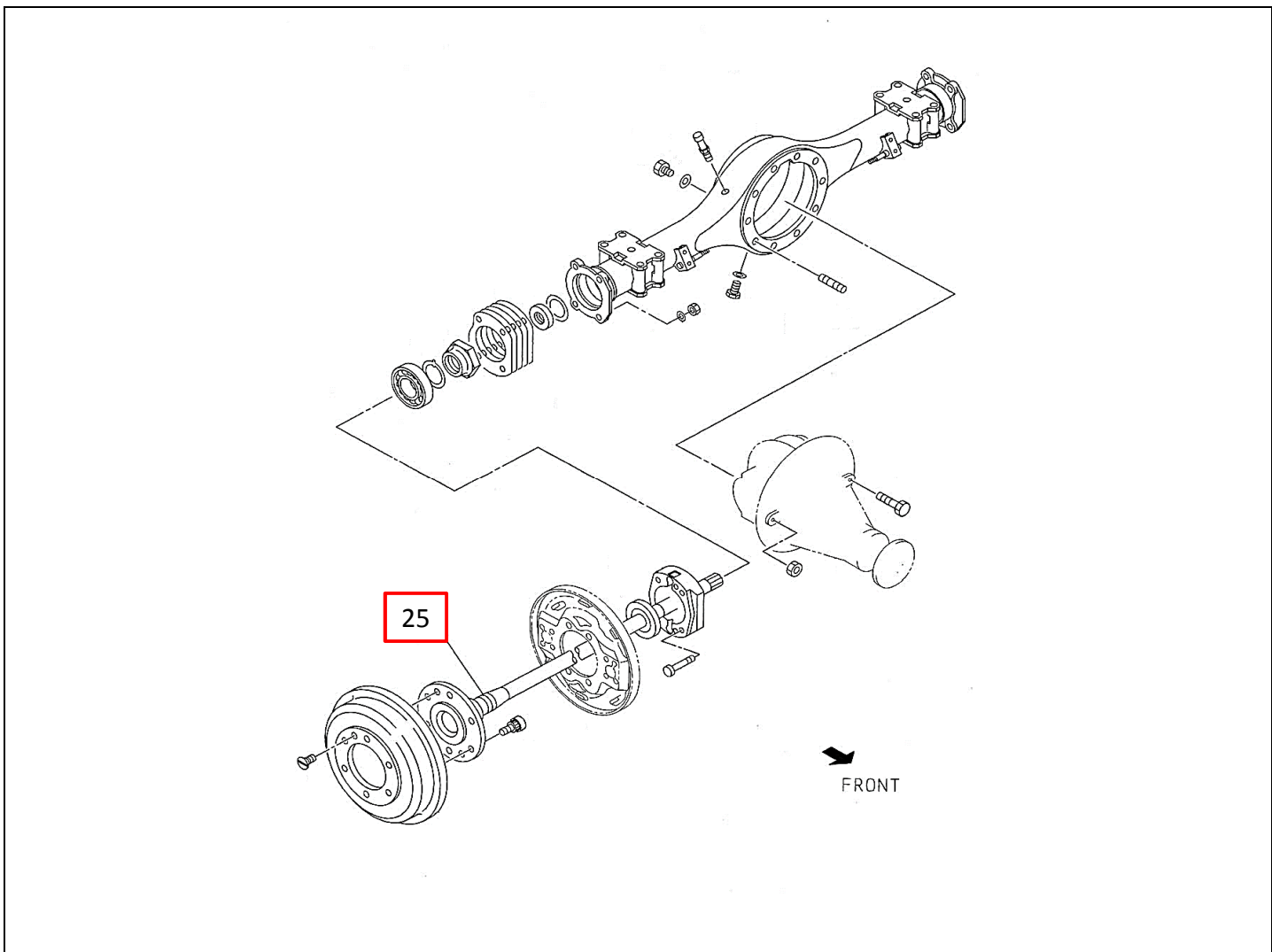


PART INFORMATION

No : FORM/D/16/006/Rev00
 Reff No : 003/PI/PART/IAMI/II/18
 Tanggal : 2 Februari 2018
 Perihal : SHAFT REAR AXLE NMR71-HD, IADG

FIG NO : 4-20 REAR AXLE CASE AND SHAFT



| NO | PART NUMBER | ITC | DESCRIPTION | FIG No. | KEY NO. | APPLIED DATE | RETAIL | REMARKS |
|----|----------------|-----|---------------|---------|---------|--------------|-------------|----------|
| 1 | 16-98272 242-0 | | SHAFT AXLE RR | 4-20 | 25 | 1512- | Rp1.110.000 | NMR71-HD |
| | | | | | | | | |
| | | | | | | | | |
| | | | | | | | | |
| | | | | | | | | |
| | | | | | | | | |
| | | | | | | | | |