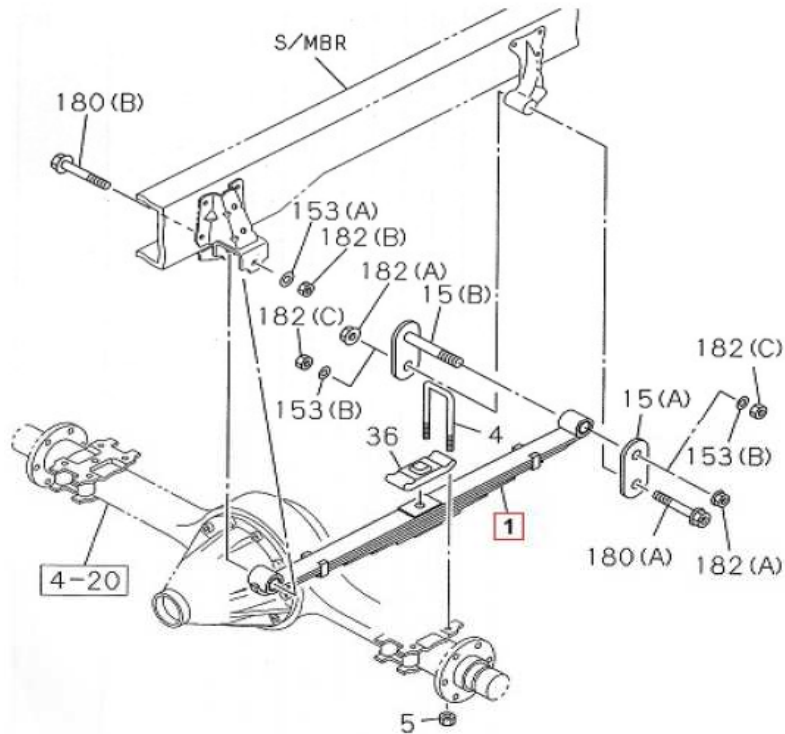


PART INFORMATION

No : 003 / PI / PART / IAMI / I / 15
 Tanggal : 6 Januari 2015
 Perihal : SPRING ASM; REAR, NQR, IADG

FIG.NO : 4-60 REAR SUSPENSION

NO	PART NEW	DESCRIPTION	FIG No.	KEY NO.	APPLIED DATE	RETAIL	REMARKS
1	I6-98190 548-0	SPRING ASM REAR,NQR	4-60	1	1208-	Rp2.100.000	NQR