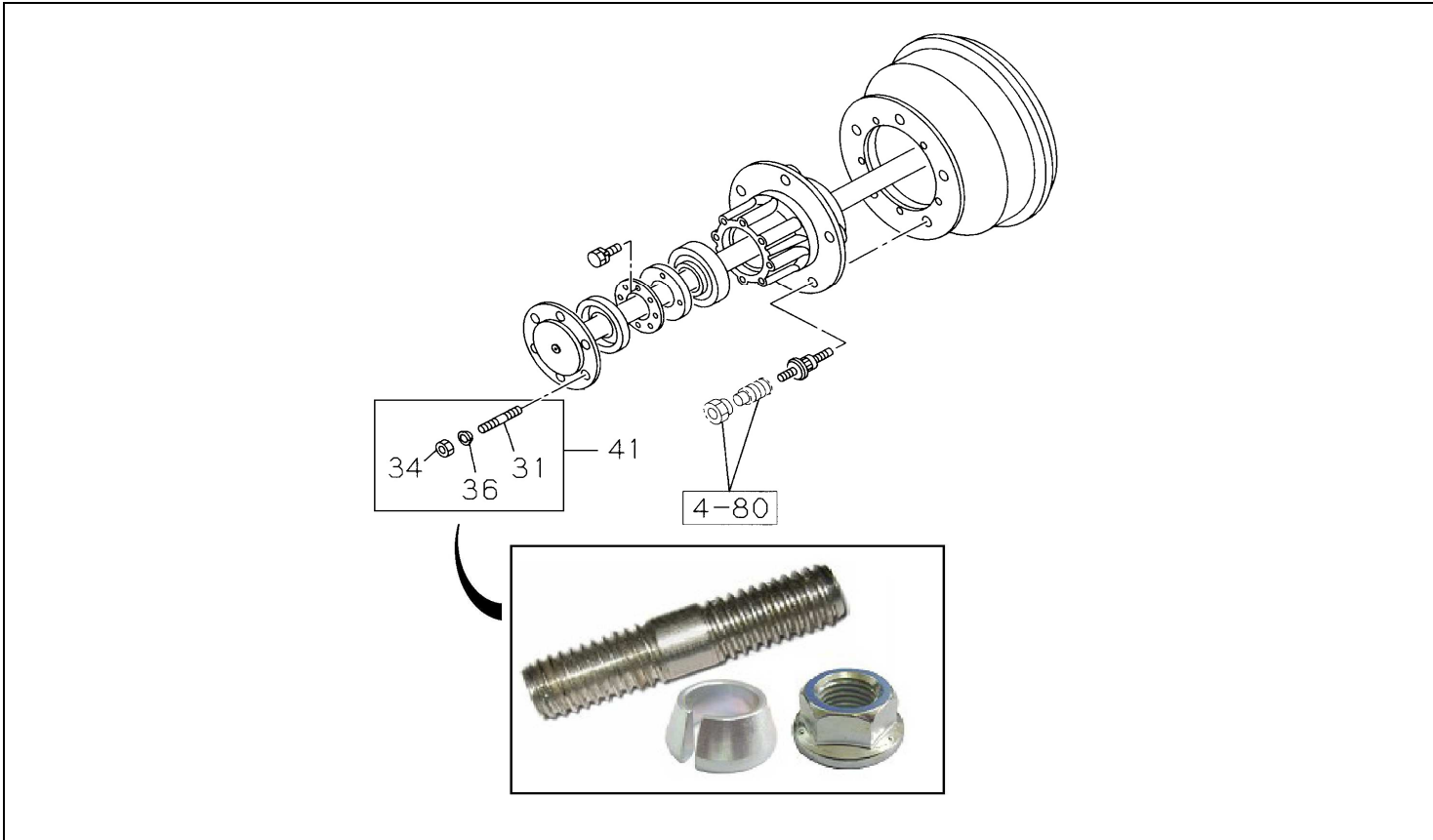


PART INFORMATION

No : 003 / PI / PART / IAMI / I / 2013
Tanggal : 01 Feb 2013
Perihal : **STUD AXLE SHAFT SET NKR66/71**

FIG.NO : 4-20 REAR AXLE CASE AND SHAFT



NO	PART NEW	DESCRIPTION	FIG No.	KEY NO.	APPLIED DATE	RETAIL	REMARKS
1	I6-97359 803-0	STUD AXLE SHAFT SET	4-20	41	9312-	8.000	NKR66, NKR71