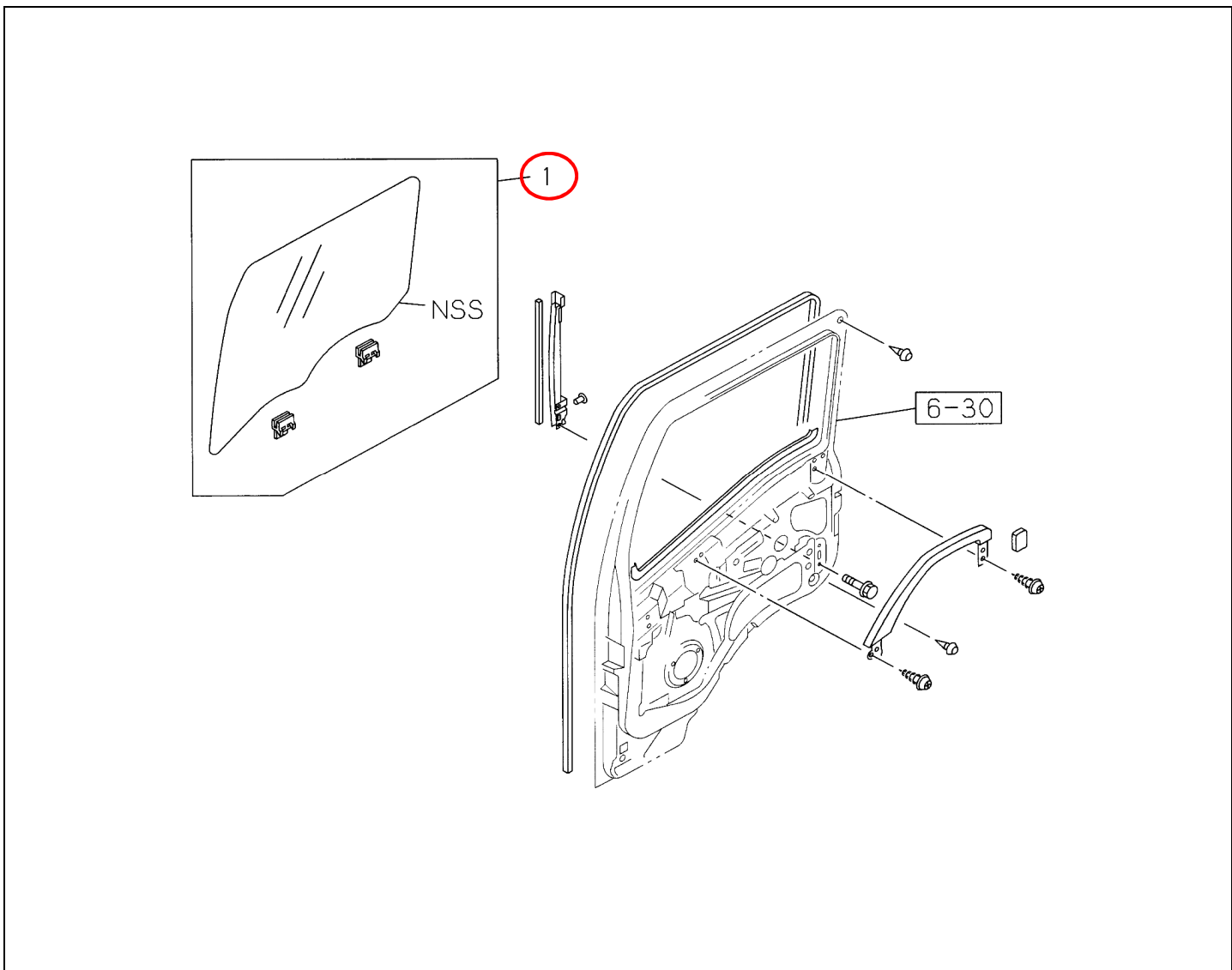


PART INFORMATION

No : FORM/D/16/006/Rev00
 Reff No : 004/PI/PART/IAMI/VIII/17
 Tanggal : 1 Agustus 2017
 Perihal : GLASS FRT DOOR, F-SERIES

FIG NO : 6-31 FRONT DOOR GLASS AND REGULATOR



NO	PART NUMBER	ITC	DESCRIPTION	FIG No.	KEY NO.	APPLIED DATE	RETAIL	REMARKS
1	18-98029 189-A	C	GLASS; FRT DOOR, RH	6-31	1	1104-1707	Rp420.000	ALL F-SERIES
	18-97696 474-A		GLASS; FRT DOOR, RH	6-31	1	1708-	Rp420.000	ALL F-SERIES
2	18-98029 190-A	C	GLASS; FRT DOOR, LH	6-31	1	1104-1707	Rp420.000	ALL F-SERIES
	18-97696 475-A		GLASS; FRT DOOR, LH	6-31	1	1708-	Rp420.000	ALL F-SERIES