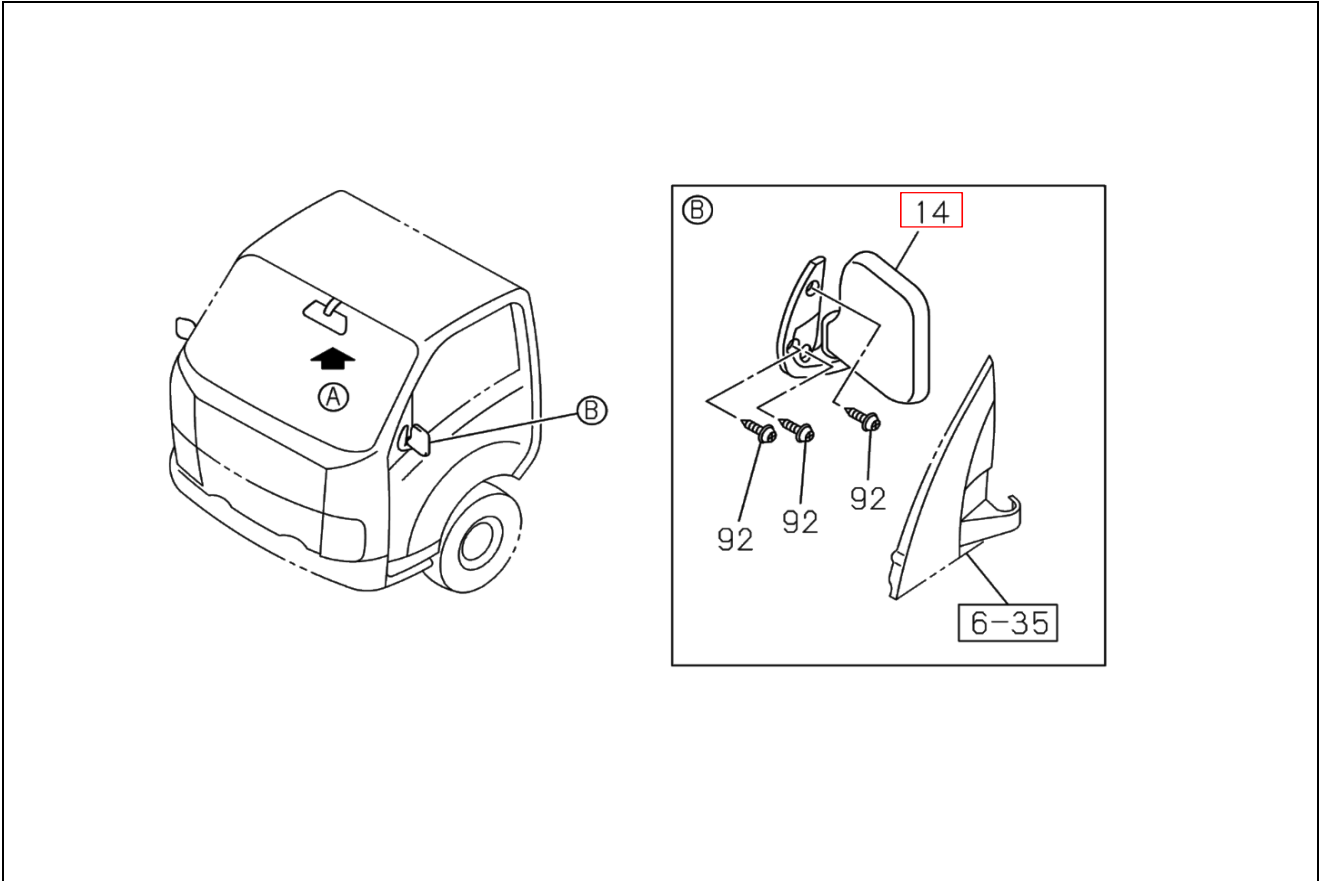


PART INFORMATION

No : FORM/D/16/006/Rev00
 Reff No : 004/PI/PART/IAMI/I/21
 Tanggal : 21 Januari 2021
 Perihal : MIRROR ASM OUTSIDE, TRAGA IADG

FIG NO : 7-20 MIRROR AND MIRROR STAY



NO	PART NUMBER	ITC	DESCRIPTION	FIG No.	KEY NO.	APPLIED DATE	REMARKS
1	16-98258 171-0		MIRROR ASM; OUTSIDE, RH	720	14	1802-	Traga
2	16-98258 170-0		MIRROR ASM; OUTSIDE, LH	720	14	1802-	Traga