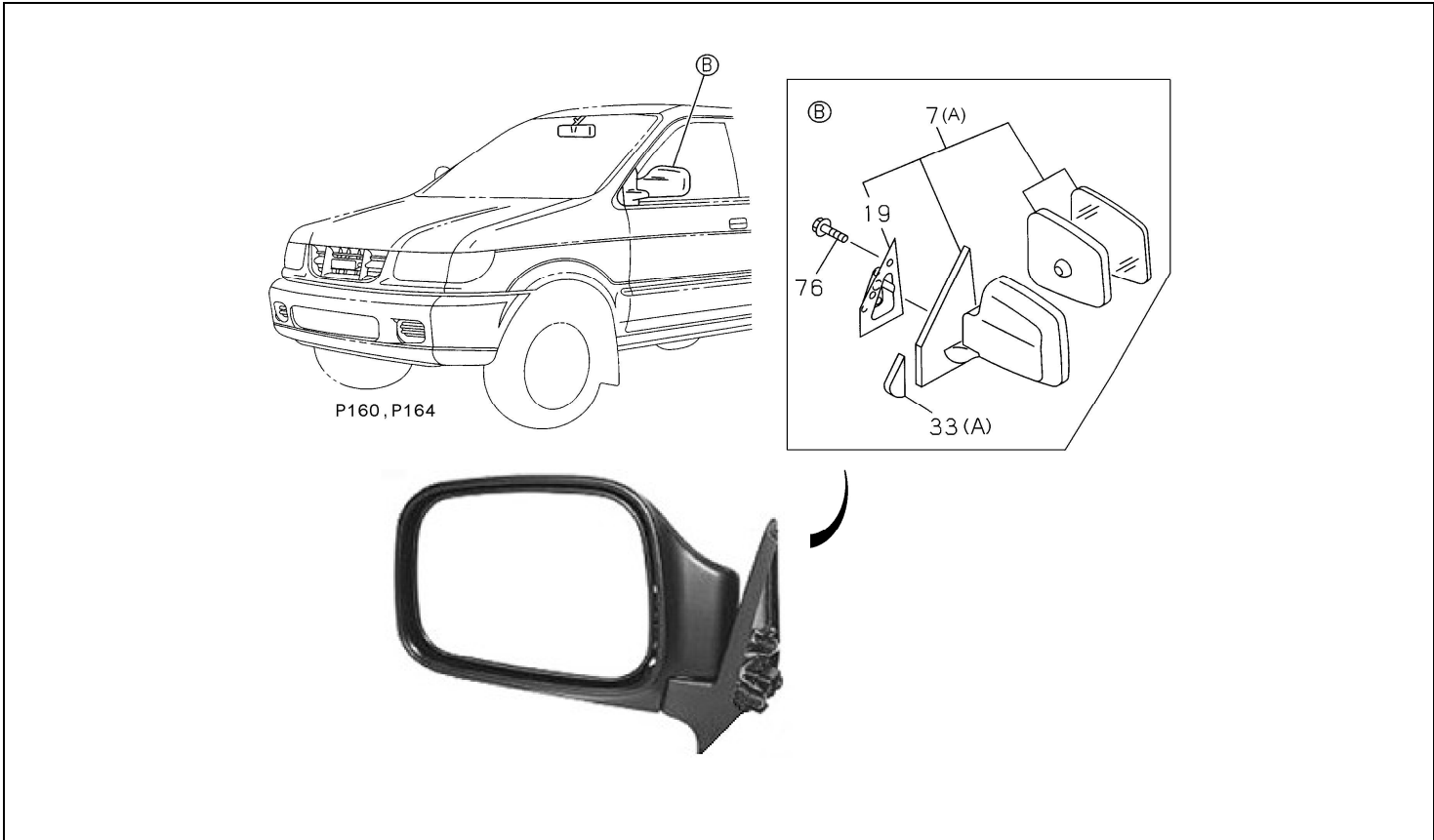


PART INFORMATION

No : 004 / PI / PART / IAMI / I / 2013
 Tanggal : 01 Feb 2013
 Perihal : OUTER MIRROR MANUAL TBR541

FIG.NO : 7-20 MIRROR AND MIRROR STAY



NO	PART NEW	DESCRIPTION	FIG No.	KEY NO.	APPLIED DATE	RETAIL	REMARKS
1	16-97957 164-0	MIRROR ASSY DOOR RH	4-20	7 (A)	0008-	530.000	TBR541, Manual
2	16-97957 165-0	MIRROR ASSY DOOR LH	4-20	7 (A)	0008-	530.000	TBR541, Manual

Prepared by : Eddy Pramono , 01 Feb 2013