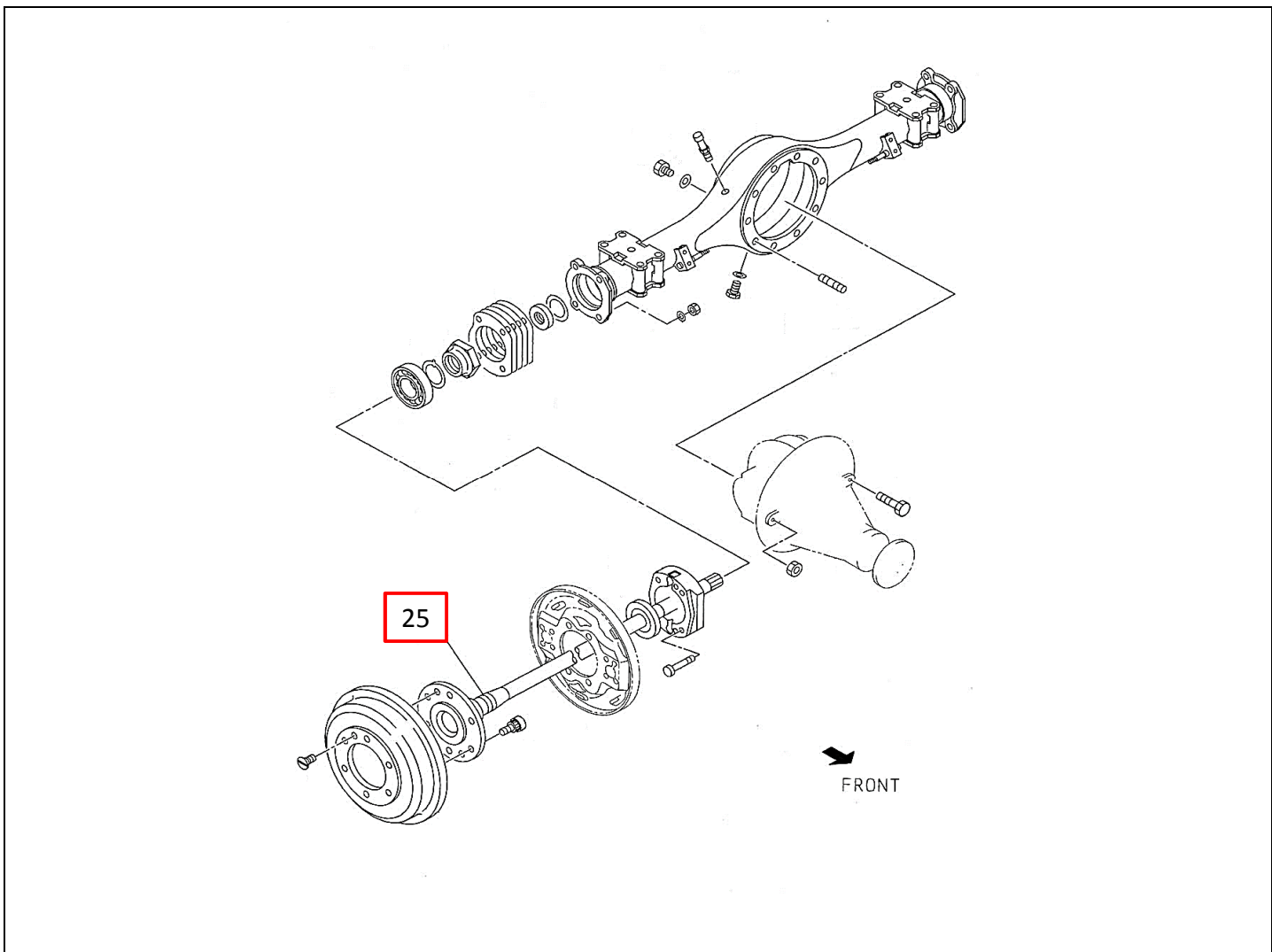


PART INFORMATION

No : FORM/D/16/006/Rev00
 Reff No : 004/PI/PART/IAMI/IV/18
 Tanggal : 3 April 2018
 Perihal : SHAFT REAR AXLE NKR71; NMR71, IADG

FIG NO : 4-20 REAR AXLE CASE AND SHAFT



NO	PART NUMBER	ITC	DESCRIPTION	FIG No.	KEY NO.	APPLIED DATE	RETAIL	REMARKS
1	16-98151 846-0		SHAFT AXLE RR	4-20	25	1512-	Rp1.075.000	NKR71-HD NMR71-STD