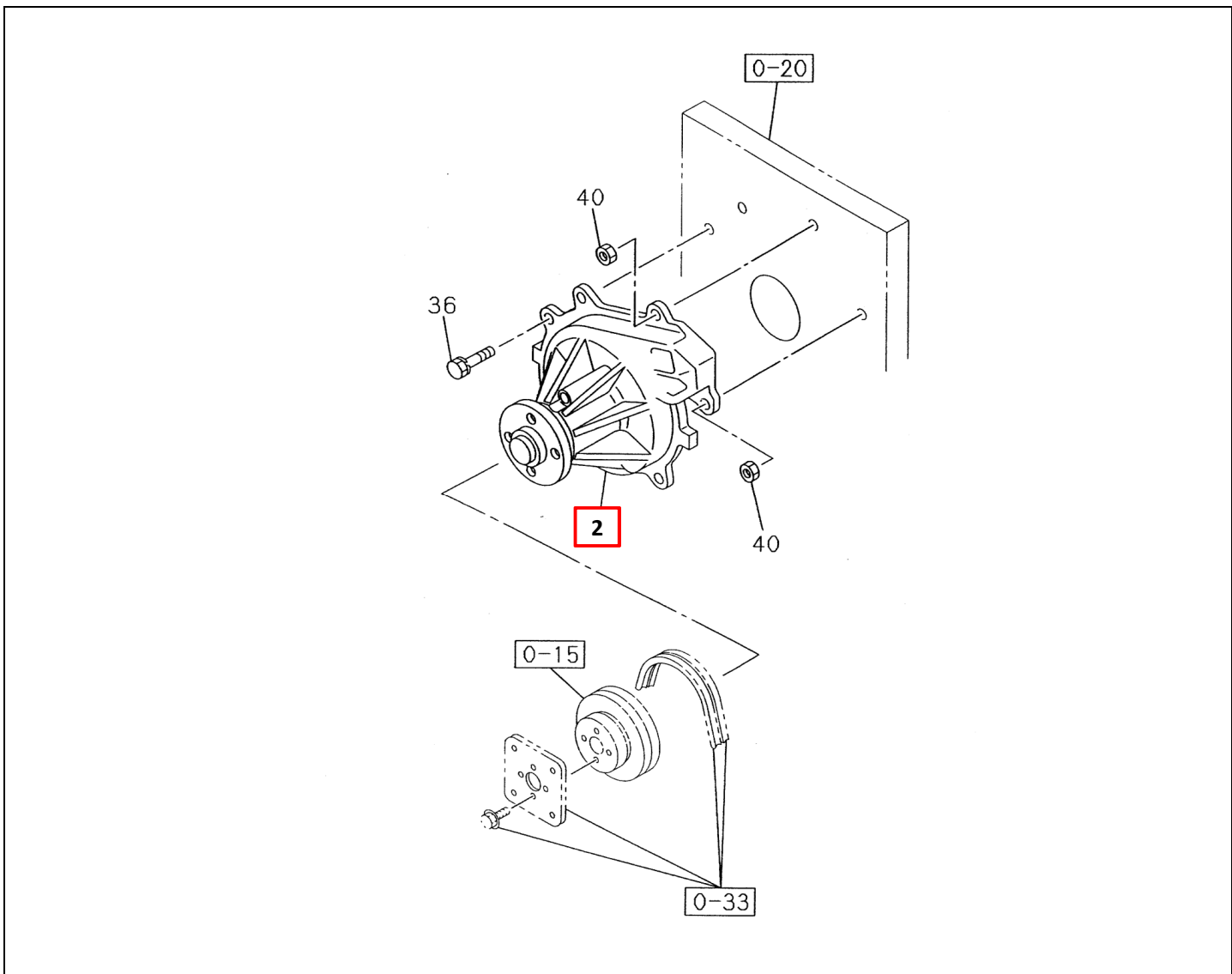


# PART INFORMATION

No : FORM/D/16/006/Rev00  
 Reff No : 005/PI/PART/IAMI/VI/16  
 Tanggal : 22 Juni 2016  
 Perihal : PUMP ASM; WATER

**FIG.NO : 0-30 WATER PUMP AND CORROSION RESISTOR**



NO	PART NUMBER	ITC	DESCRIPTION	FIG No.	KEY NO.	APPLIED DATE	RETAIL	REMARKS
1	I8-98329 116-0		PUMP ASM; WATER	0-30	2	1511-	Rp1.675.000	NKR71; NQR71