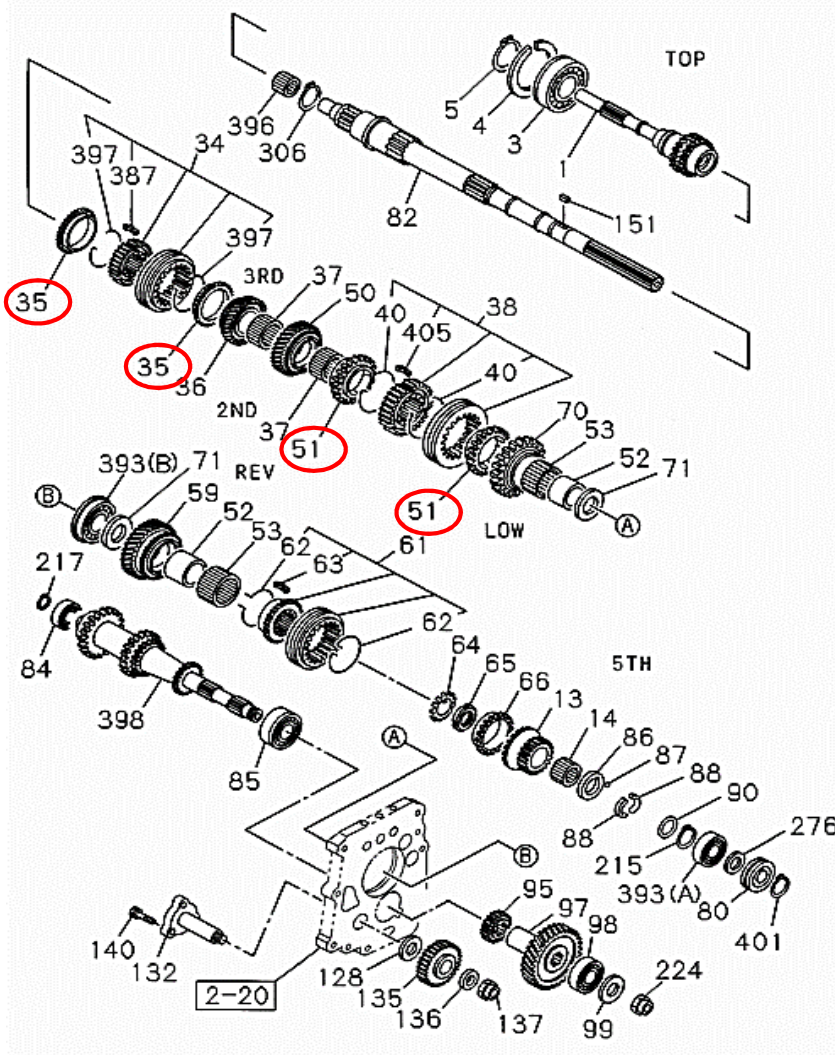


PART INFORMATION

No : FORM/D/16/006/Rev00
 Reff No : 005/PI/PART/IAMI/V/18
 Tanggal : 11 MEI 2018
 Perihal : RING; BLOCKING

FIG NO : 2-26 MANUAL TRANSMISSION GEAR



NO	PART NUMBER	ITC	DESCRIPTION	FIG No.	KEY NO.	APPLIED DATE	RETAIL	REMARKS
1	I6-94151 510-0		RING BLOCKING,PT	2-26	51	1802-	Rp100.000	TBR, TRAGA
2	I6-94463 830-0		RING; BLOCK, 4TH & 3RD	2-26	35	0612-	Rp70.000	TBR