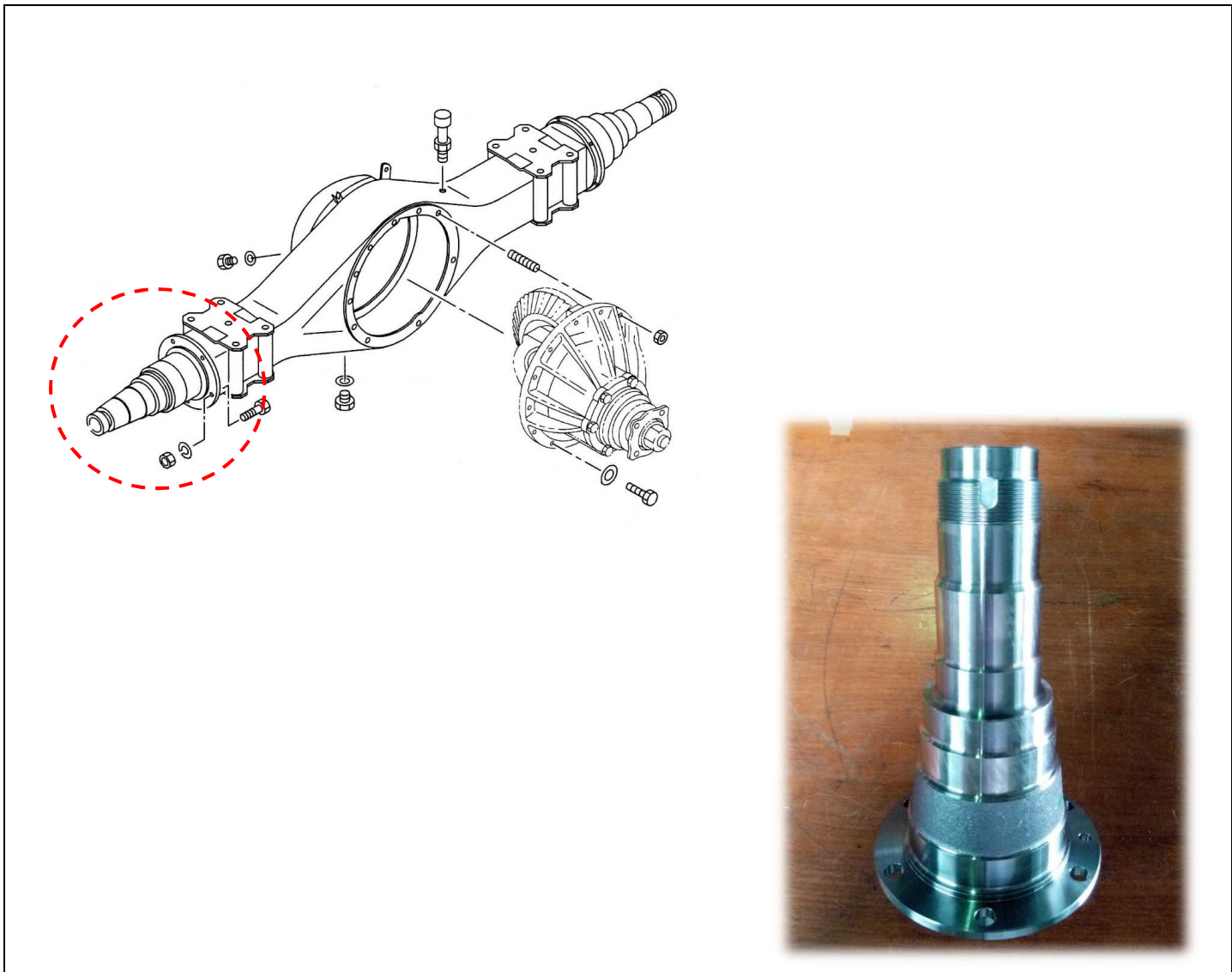


PART INFORMATION

No : FORM/D/16/006/Rev00
 Ref No : 006/PI/PART/IAMI/X/17
 Tanggal : 23 Oktober 2017
 Perihal : END TUBE NMR71-HD (4HG1-T)

FIG NO : 4-20 REAR AXLE CASE AND SHAFT



NO	PART NUMBER	ITC	DESCRIPTION	FIG No.	KEY NO.	APPLIED DATE	RETAIL	REMARKS
1	18-98272 086-0		END; TUBE	4-20	-	1512-	Rp2.250.000	NMR71-HD