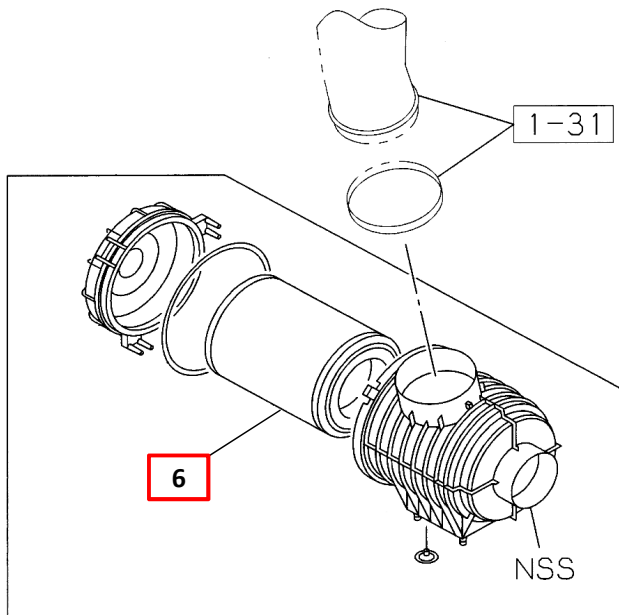


PART INFORMATION

No : FORM/D/16/006/Rev00
 Ref No : 007/PI/PART/IAMI/VI/16
 Tanggal : 29 Juni 2016
 Perihal : AIR CLEANER, NMR71

FIG.NO : 1-30 AIR CLEANER



NO	PART NUMBER	ITC	DESCRIPTION	FIG No.	KEY NO.	APPLIED DATE	RETAIL	REMARKS
1	I8-98321 413-A		AIR CLEANER	1-30	6	1605-	Rp155.000	NMR71