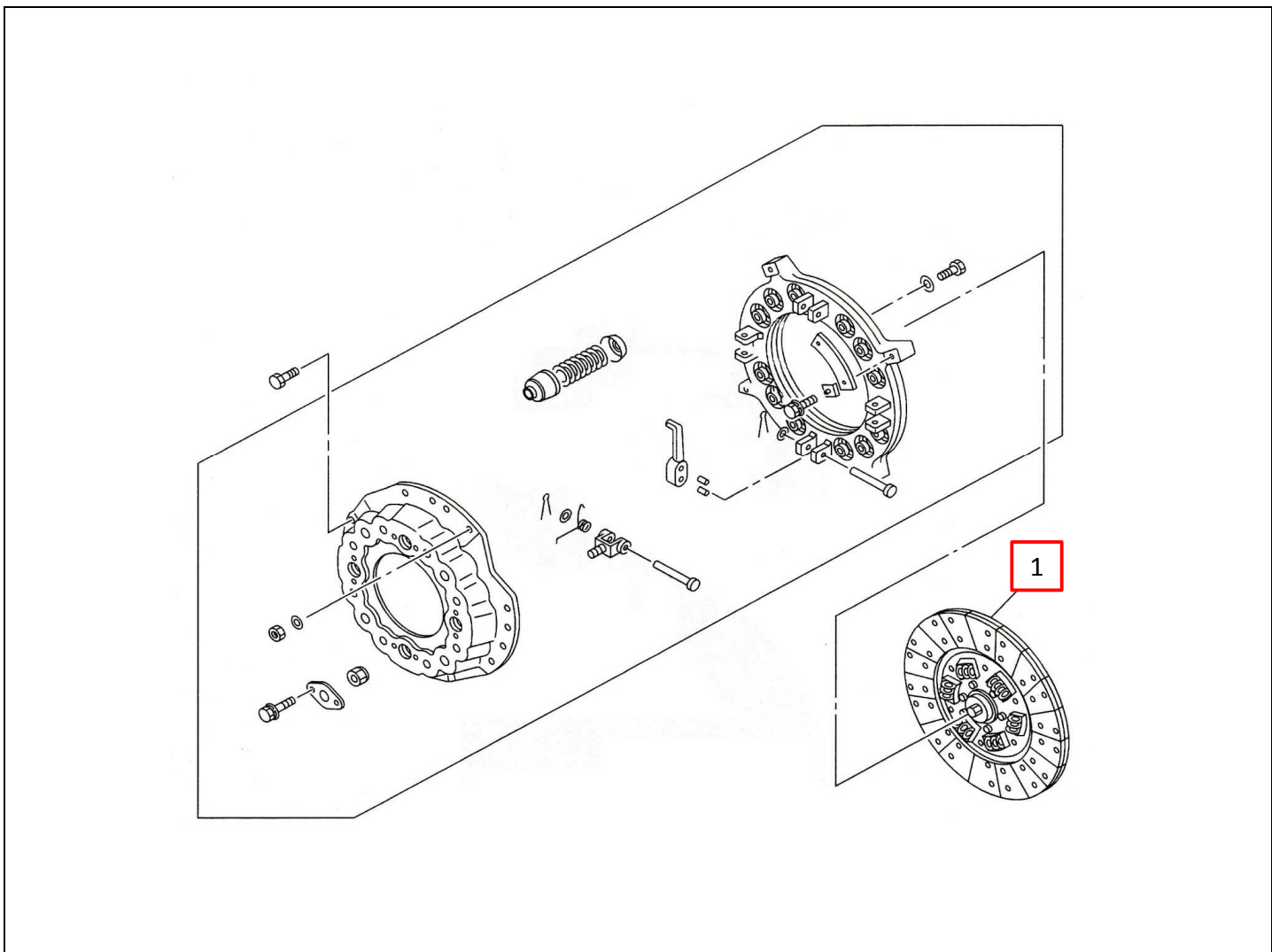


**PART INFORMATION**

No : FORM/D/16/006/Rev00  
 Ref No : 007/PI/PART/IAMI/X/17  
 Tanggal : 30 Oktober 2017  
 Perihal : DISC CLUTCH F-SERIES, IADG

**FIG NO : 2-01 CLUTCH**



NO	PART NUMBER	ITC	DESCRIPTION	FIG No.	KEY NO.	APPLIED DATE	RETAIL	REMARKS
1	I6-31240 972-0		DISC CLUTCH	201	1	1104-	Rp1.950.000	FVZ
2	I6-31240 851-0		DISC CLUTCH	201	1	1108-	Rp1.700.000	FVM ; FVR
3	I6-31240 971-0		DISC CLUTCH	201	1	1111-	Rp1.925.000	FTR
4	I6-31240 949-0		DISC CLUTCH	201	1	1103-	Rp1.500.000	FRR