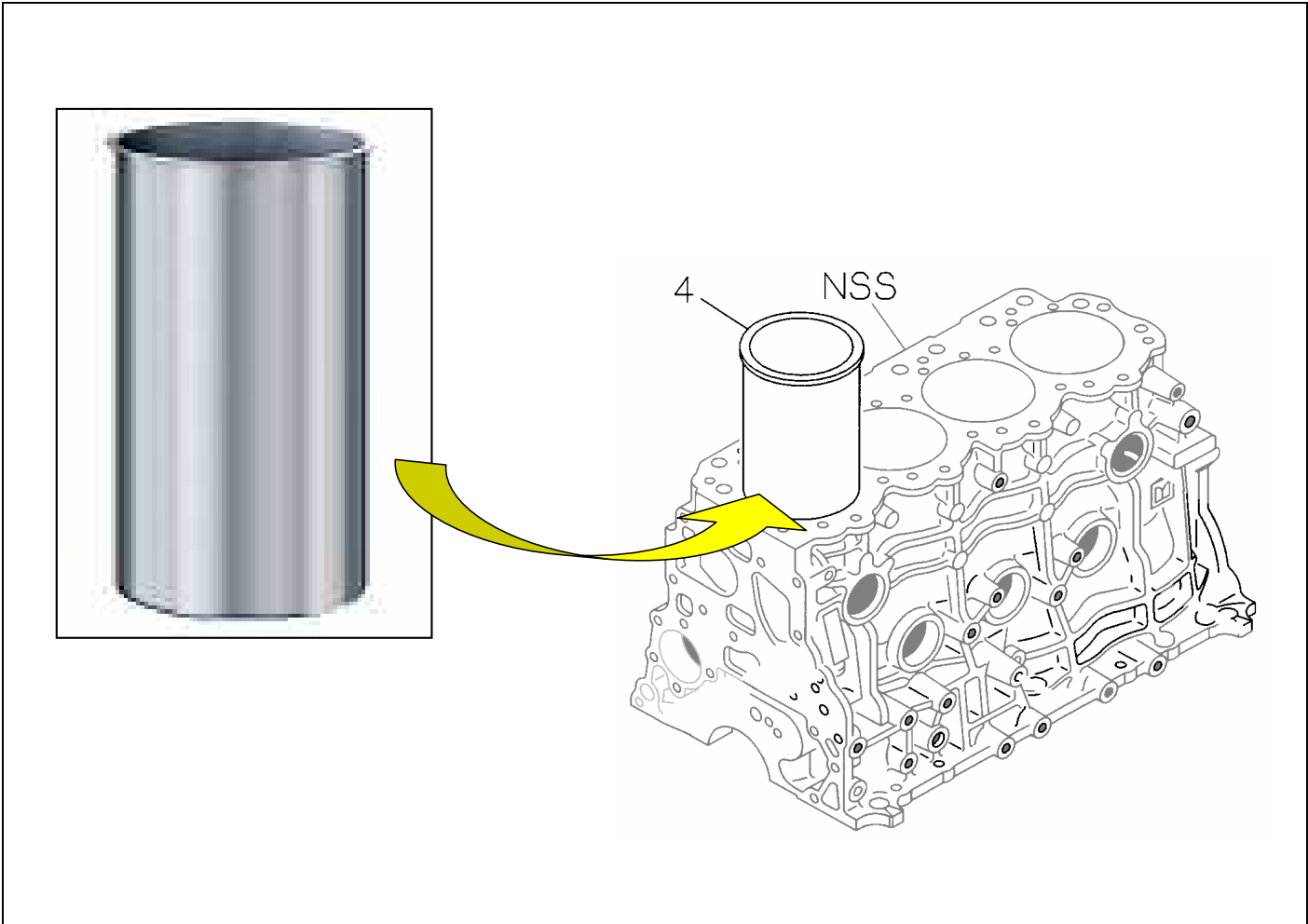


PART INFORMATION

No : 007 / PI / PART / IAMI / III / 2012
 Tanggal : 28 Maret 2012
 Perihal : LINER CYLINDER BLOCK IADG

FIG.NO : 0-12 CYLINDER BLOCK



NO	PART NUMBER	DESCRIPTION	KEY NO	QTY/U	APPLIED DATE	RETAIL	REMARKS
1	6-97176 677-1	LINER CYLINDER BLOCK	4	4	9811-	340.000	TBR52 (C223)
2	6-97176 687-0	LINER CYLINDER BLOCK	4	4	9811-	380.000	NHR55 (4JB1)
							OD GRADE=3, ID GRADE=AX

Prepared by : Eddy Pramono , 28 Maret 2012