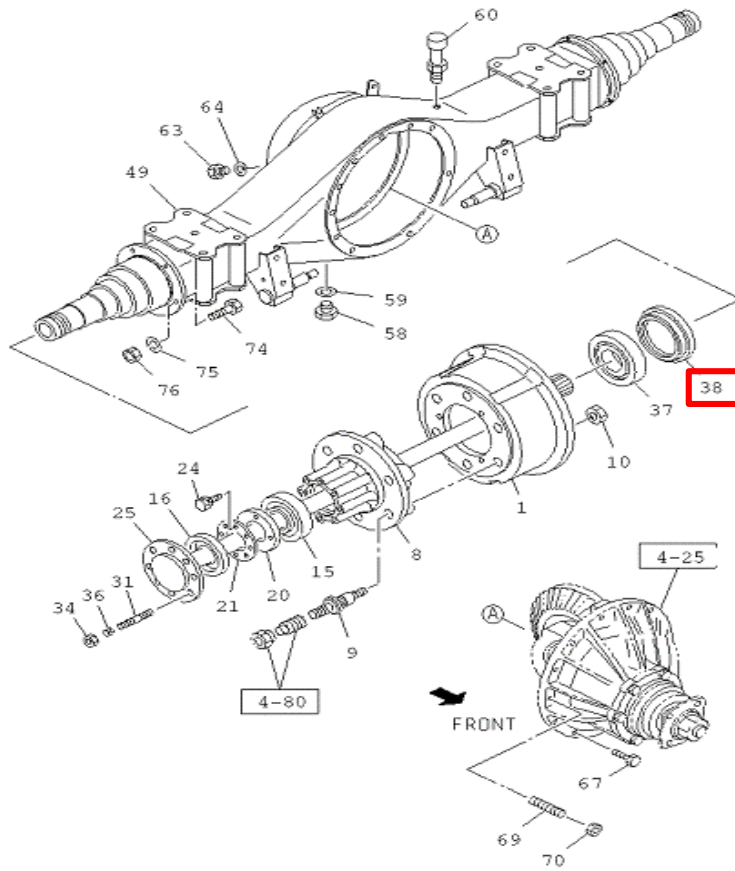


PART INFORMATION

No : FORM/D/16/006/Rev00
 Reff No : 007/PI/PART/IAMI/V/19
 Tanggal : 06 Mei 2019
 Perihal : Seal Oil Rr Hub Inner

FIG NO : 4-20 REAR AXLE CASE AND SHAFT



NO	PART NUMBER	ITC	DESCRIPTION	FIG No.	KEY NO.	APPLIED DATE	RETAIL	REMARKS
1	16-97122 937-0		SEAL; OIL,RR HUB,INNER	4-20	38	1208-	Rp26.000	NQR, NMR71, NMR81 RR AXLE HD 343MM