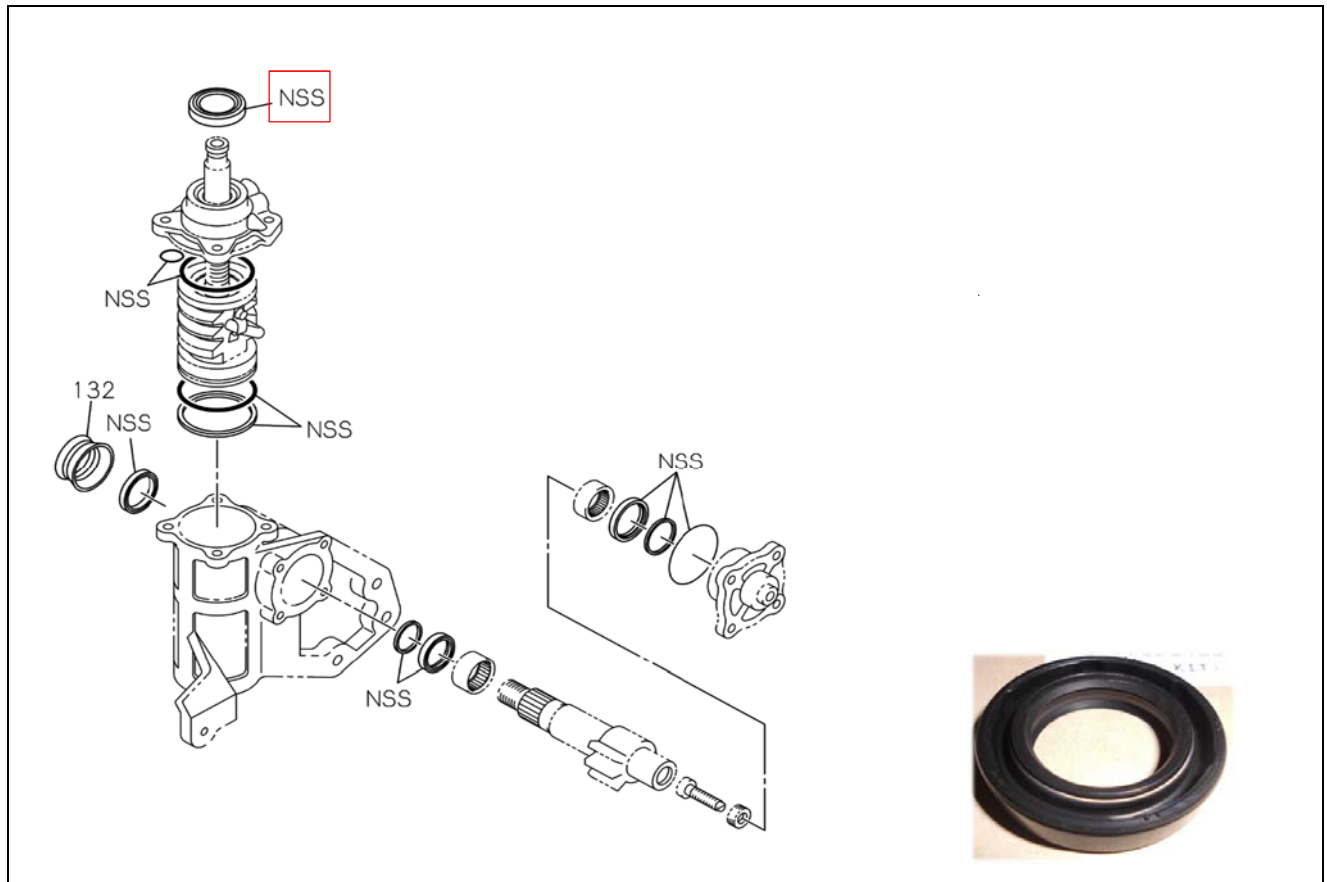


PART INFORMATION

No : FORM/D/16/006/Rev00
Reff No : 007/PI/PART/IAMI/II/21
Tanggal : 11 Februari 2021
Perihal : SEAL UPPER OIL STEERING, N-SERIES

FIG NO : 4-40 STEERING UNIT

NO	PART NUMBER	ITC	DESCRIPTION	FIG No.	KEY NO.	APPLIED DATE	REMARKS
1	I4-SPART 331-A		SEAL OIL UPPER STEERING	440	58	0508-	OD= 32.5 mm ID= 21 mm T= 5 mm