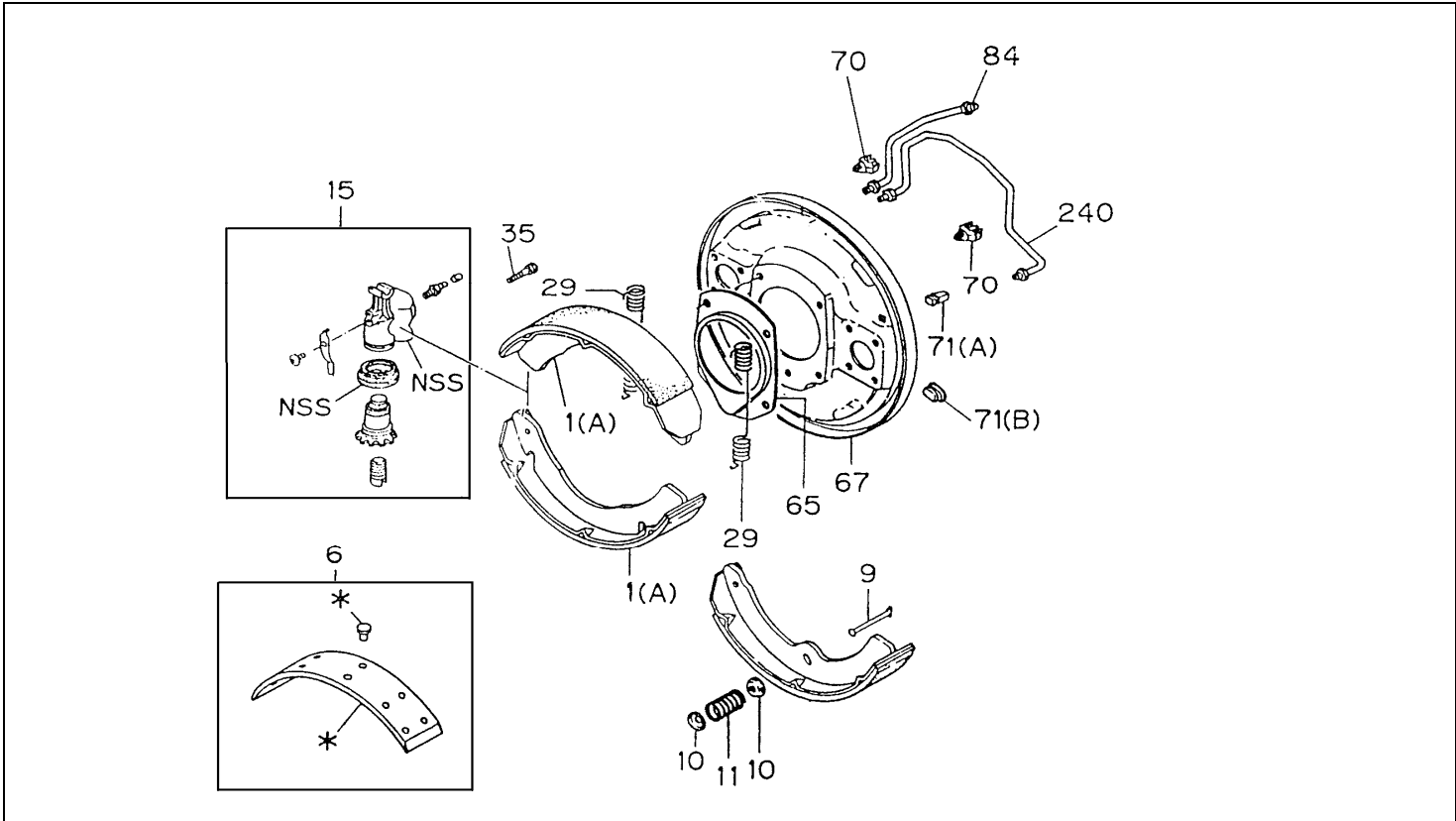


# PART INFORMATION

No : 008 / PI / PART / IAMI / II / 2013  
Tanggal : 28 Feb 2013  
Perihal : Up date Items Fig No 3-01

**FIG.NO : 3-01 FRONT WHEEL BRAKE**



NO	PART NEW	DESCRIPTION	KEY NO.	ENGINE	APPLIED DATE	RETAIL	REMARKS
1	8-97287 778-0	SHOE ; BRAKE, FRONT	1(A)	4JB1-TC	0808-	540.000	(A) PIECE, NKR55-6T EURO 2
2	5-87831 801-0	LINING K IT ; FRT BRAKE	6	4JB1-TC	0808-	1.075.000	NKR55-6T EURO 2
3	5-47162 001-0	PIN ; SHOE HOLDER	9	4JB1-TC	0808-	14.000	NKR55L- 6T
4	9-47162 045-0	PIN ; SHOE HOLDER	9	4JB1-TC	0702-	8.500	NHR55-T/B/B R16 EURO 2
5	9-47162 607-0	PIN ; SHOE HOLDER	9	4JB1-TC	0702-	7.500	NKR55-T /B/B R16/B (LWB) NKR55-B (LWB) R16 EURO 2
6	8-97022 089-0	PIN ; SHOE HOLDER	9	4HG1-T	0702-	11.500	NKR71-T/THD EURO 2
7	9-47162 033-0	CUP ; SHOE HOLDING	10	4JB1-TC	0702-	6.000	NHR55,NKR55 EURO 2
8	9-47165 096-0	CUP ; SHOE HOLDING	10	4JB1-TC	0808-	7.500	NKR55L- 6T
9	9-47165 096-0	CUP ; SHOE HOLDING	10	4HG1-T	0702-	7.500	NKR71-T/THD EURO 2
10	9-09940 989-1	SPRING ; SHOE HOLDING	11	4JB1-TC	0702-	8.500	NHR55,NKR55 EURO 2
11	5-09580 101-1	SPRING ; SHOE HOLDING	11	4JB1-TC	0808-	14.000	NKR55L- 6T
12	5-09580 101-1	SPRING ; SHOE HOLDING	11	4HG1-T	0702-	14.000	NKR71-T/THD EURO 2
13	8-97170 951-0	CYLINDER ; WHEEL FRT BRK	15	4JB1-TC	0808-	720.000	(RH) FRONT (NKR55-6T E2)

## PART INFORMATION

No : 008 / PI / PART / IAMI / II / 2013

Tanggal : 28 Feb 2013

Perihal : Up date Items Fig No 3-01

NO	PART NEW	DESCRIPTION	KEY NO.	ENGINE	APPLIED DATE	RETAIL	REMARKS
14	8-97170 950-0	CYLINDER ; WHEEL FRT BRK	15	4JB1-TC	0808-	720.000	(LH) FRONT (NKR55-6T E2)
15	8-97170 953-0	CYLINDER ; WHEEL FRT BRK	15	4JB1-TC	0808-	720.000	(RH) REAR (NKR55-6T E2)
16	8-97170 952-0	CYLINDER ; WHEEL FRT BRK	15	4JB1-TC	0808-	720.000	(LH) REAR (NKR55-6T E2)
17	8-97081 150-0	SPRING ; RETURN,FRT B/SHOE	29	4JB1-TC	0702-	39.000	NHR55-T/B/B R16 EURO 2
18	8-97078 739-0	SPRING ; RETURN,FRT B/SHOE	29	4JB1-TC	0702-	#N/A	NKR55-T/N/LWB/LWB R16 E2
19	5-09583 118-0	SPRING ; RETURN,FRT B/SHOE	29	4JB1-TC	0808-	46.000	NKR55L-6T
20	8-97022 087-0	SPRING ; RETURN,FRT B/SHOE	29	4HG1-T	0702-	40.000	NKR71-T/THD EURO 2
21	9-09602 119-1	BOLT ; FRT WHEEL CYL SETTING	35	4JB1-TC	0702-	7.500	NHR55-T/B/B R16 EURO 2
22	5-09030 036-1	BOLT ; FRT WHEEL CYL SETTING	35	4JB1-TC	0702-	10.500	NKR55-T/N/LWB/LWB R16 E2
23	5-09030 016-1	BOLT ; FRT WHEEL CYL SETTING	35	4JB1-TC	0808-	10.500	NKR55L-6T
24	8-97081 305-0	BOLT ; FRT WHEEL CYL SETTING	35	4HG1-T	0702-	13.000	NKR71-T/THD EURO 2
25	8-97302 588-0	PLATE ; BACK, FRT BRAKE RH	67	4JB1-TC	0808-	800.000	NKR55L-6T
26	8-97302 589-0	PLATE ; BACK, FRT BRAKE LH	67	4JB1-TC	0808-	800.000	NKR55L-6T
27	8-94128 306-0	CLIP ; PIPE HOLD	70	4JB1-TC	0702-	20.000	NKR55 EURO 2
28	8-97022 086-2	CLIP ; PIPE HOLD	70	4HG1-T	0702-	30.000	NKR71-T/THD EURO 2
29	9-09956 640-A	GROMMET ; CHECK HOLE	71	4JB1-TC	0702-	1.500	(A) NHR55-T/B/B R16 E2
30	9-09756 034-A	GROMMET ; CHECK HOLE	71	4JB1-TC	0808-	1.000	(A) NKR55L-6T
31	8-97044 742-A	GROMMET ; CHECK HOLE	71	4JB1-TC	0702-	1.500	(A) NKR55-T/N/LWB/LWB R16
32	8-97044 742-A	GROMMET ; CHECK HOLE	71	4HG1-T	0702-	1.500	(A) NKR71-T/THD EURO 2
33	8-94344 919-0	GROMMET ; CHECK HOLE	71	4JB1-TC	0702-	11.500	(B) NHR55 EURO 2
34	8-94171 287-0	GROMMET ; CHECK HOLE	71	4JB1-TC	0702-	5.500	(B) NKR55 EURO 2
35	8-97017 507-0	GROMMET ; CHECK HOLE	71	4HG1-T	0702-	1.500	(B) NKR71-T/THD EURO 2
36	8-97034 567-A	PIPE ; BRAKE, WHEEL CYL TO HOS	84	4JB1-TC	0702-	#N/A	(RH) NHR55 EURO 2
37	8-97039 676-0	PIPE ; BRAKE, WHEEL CYL TO HOS	84	4JB1-TC	0702-	101.000	(RH) NKR55 EURO 2
38	8-97034 567-A	PIPE ; BRAKE, WHEEL CYL TO HOS	84	4HG1-T	0702-	#N/A	(RH) NKR71-T/THD EURO 2
39	8-97034 568-A	PIPE ; BRAKE, WHEEL CYL TO HOS	84	4JB1-TC	0702-	#N/A	(LH) NHR55 EURO 2
40	8-97039 677-0	PIPE ; BRAKE, WHEEL CYL TO HOS	84	4JB1-TC	0702-	101.000	(LH) NKR55 EURO 2
41	8-97034 568-A	PIPE ; BRAKE, WHEEL CYL TO HOS	84	4HG1-T	0702-	#N/A	(LH) NKR71-T/THD EURO 2
42	8-94154 916-0	PIPE ; OIL FRONT BRAKE	240	4JB1-TC	0808-	105.000	NKR55L-6T
43	8-97019 223-0	PIPE ; OIL FRONT BRAKE	240	4JB1-TC	0702-	101.000	NKR55-T/B/LWB/LWB R16 E2
44	8-97081 151-0	PIPE ; OIL FRONT BRAKE	240	4JB1-TC	0702-	99.000	NHR55-T/B/B R16 EURO 2
45	8-97079 847-A	PIPE ; OIL FRONT BRAKE	240	4HG1-T	0702-	14.500	NKR71-T/THD EURO 2
	NOTE :	(#N/A) HARGA MENYUSUL					