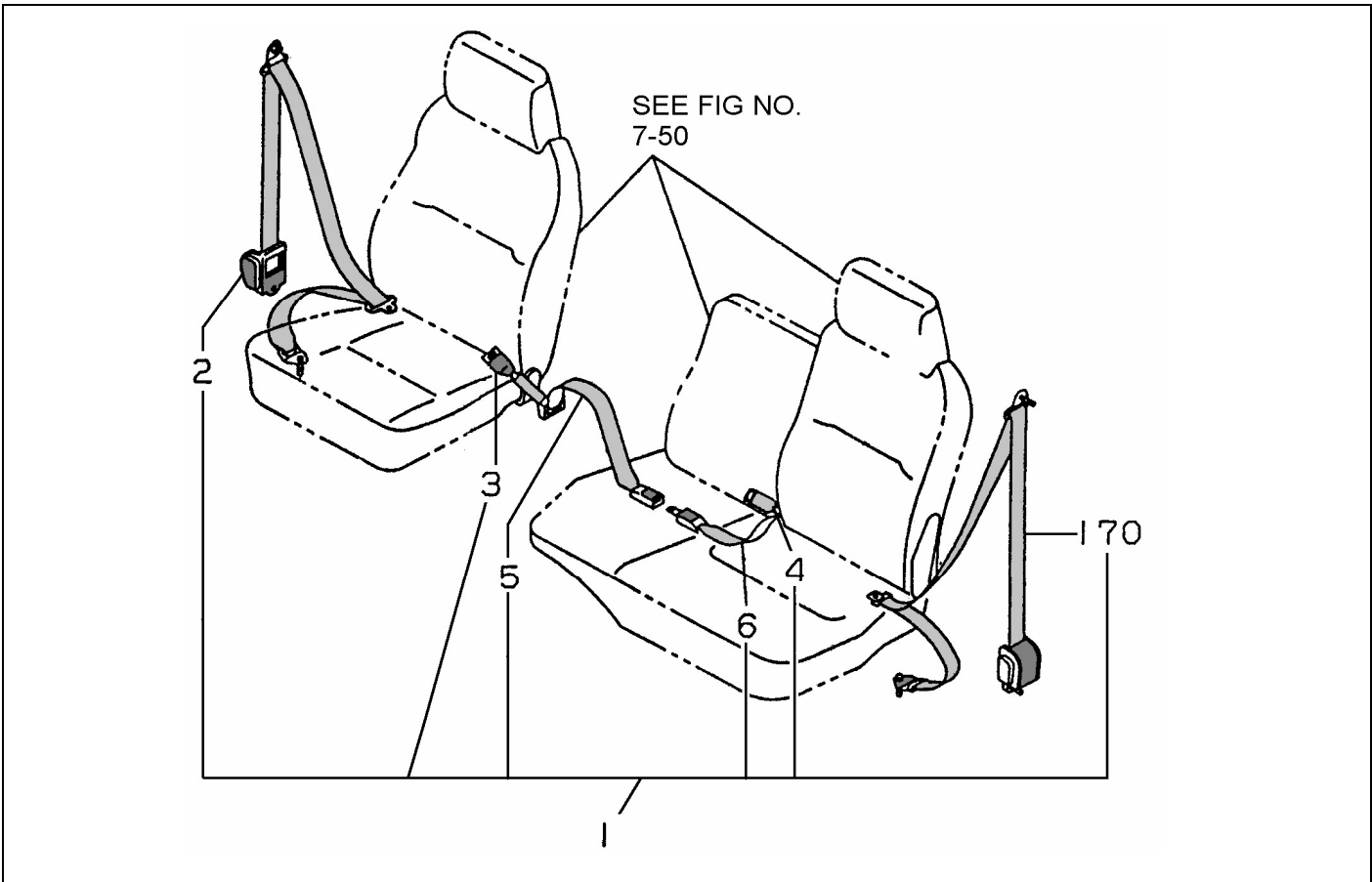


# PART INFORMATION

No : 008 / PI / PART / IAMI / III / 2012  
Tanggal : 29 Maret 2012  
Perihal : SAFET BELT N SERIES

**FIG.NO : 7 - 60 SEAT BELT**



NO	PART NUMBER	DESCRIPTION	KEY NO	QTY/U	APPLIED DATE	RETAIL	REMARKS
1	7-31902 001-A	SAFETY BELT SET	1	1	1011-	310.000	NHR55,NKR55 EURO2 GOLD
	7-31902 001-A	SAFETY BELT SET	1	1	1011-	310.000	NKR71 EURO2 GOLD
2	7-31902 205-A	BELT ; DRIVER SEAT, TONGUE SIDE	2	1	0702-1010	81.000	NHR55,NKR55 EURO2
	7-31902 205-A	BELT ; DRIVER SEAT, TONGUE SIDE	2	1	0702-1010	81.000	NKR71 EURO2
	7-31902 210-A	BELT ; DRIVER SEAT, TONGUE SIDE	2	1	1011-	#N/A	NHR55,NKR55 EURO2 GOLD
	7-31902 210-A	BELT ; DRIVER SEAT, TONGUE SIDE	2	1	1011-	#N/A	NKR71 EURO2 GOLD
3	7-31902 255-A	BELT ,DRIVER SEAT,BUCKLE	3	1	1011-	27.000	NHR55,NKR55 EURO2 GOLD
	7-31902 255-A	BELT ,DRIVER SEAT,BUCKLE	3	1	1011-	27.000	NKR71 EURO2 GOLD
4	7-31903 255-A	BELT ; ASSIST SEAT,BUCKLE	4	1	1011-	27.000	NHR55,NKR55 EURO2 GOLD
	7-31903 255-A	BELT ; ASSIST SEAT,BUCKLE	4	1	1011-	27.000	NKR71 EURO2 GOLD
5	7-31902 256-A	BELT ;CENTER SEAT,BUCKLE SIDE	5	1	1011-	27.000	NHR55,NKR55 EURO2 GOLD
	7-31902 256-A	BELT ;CENTER SEAT,BUCKLE SIDE	5	1	1011-	27.000	NKR71 EURO2 GOLD
6	7-31902 206-A	BELT ; CENTER SEAT, TONGUE SIDE	6	1	1011-	30.000	NHR55,NKR55 EURO2 GOLD
	7-31902 206-A	BELT ; CENTER SEAT, TONGUE SIDE	6	1	1011-	30.000	NKR71 EURO2 GOLD
7	7-31902 205-A	BELT ; PASS SEAT, TONGUE SIDE	170	1	0702-1010	81.000	NHR55,NKR55 EURO2
	7-31902 205-A	BELT ; PASS SEAT, TONGUE SIDE	170	1	0702-1010	81.000	NKR71 EURO2
	7-31902 210-A	BELT ; PASS SEAT, TONGUE SIDE	170	1	1011-	#N/A	NHR55,NKR55 EURO2 GOLD
	7-31902 210-A	BELT ; PASS SEAT, TONGUE SIDE	170	1	1011-	#N/A	NKR71 EURO2 GOLD