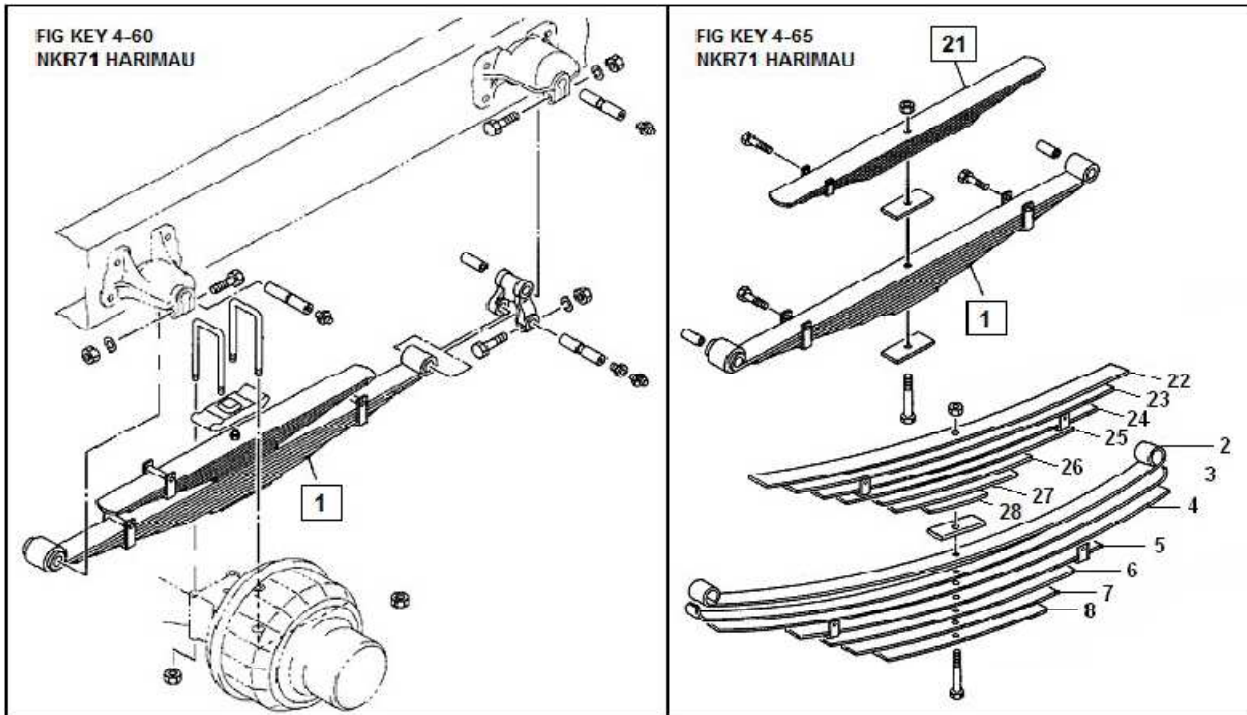


PART INFORMATION

No : 008 / PI / PART / IAMI / I / 2014
 Tanggal : 29 Jan 2014
 Perihal : SPRING ASM REAR NKR71 HARIMAU IADG

FIG.NO : 4-60 REAR SUSPENSION



NO	PART NEW	DESCRIPTION	FIG No.	KEY NO.	APPLIED DATE	RETAIL	REMARKS
1	16-66020 213-0	SPRING ASM RR,HARIMAU	4-60	1	1202-	2.000.000	4HG1-T, Harimau
2	16-66000 230-0	SPRING ASM RR MAIN	4-65	1	1202-	1.375.000	4HG1-T, Harimau
3	16-66000 231-0	SPRING NO.1 RR	4-65	2	1202-	355.000	4HG1-T, Harimau
4	16-66000 232-0	SPRING NO.2 RR	4-65	3	1202-	245.000	4HG1-T, Harimau
5	16-66000 233-0	SPRING NO.3 RR	4-65	4	1202-	230.000	4HG1-T, Harimau
6	16-66000 234-0	SPRING NO.4 RR	4-65	5	1202-	200.000	4HG1-T, Harimau
7	16-66000 235-0	SPRING NO.5 RR	4-65	6	1202-	146.000	4HG1-T, Harimau
8	16-66000 236-0	SPRING NO.6 RR	4-65	7	1202-	104.000	4HG1-T, Harimau
9	16-66000 237-0	SPRING NO.7 RR	4-65	8	1202-	64.000	4HG1-T, Harimau
10	16-66000 240-0	SPRING ASM RR HELPER	4-65	21	1202-	780.000	4HG1-T, Harimau
11	16-66000 241-0	SPRING NO.1 RR HELPER	4-65	22	1202-	162.000	4HG1-T, Harimau
12	16-66000 242-0	SPRING NO.2 RR HELPER	4-65	23	1202-	146.000	4HG1-T, Harimau
13	16-66000 243-0	SPRING NO.3 RR HELPER	4-65	24	1202-	120.000	4HG1-T, Harimau
14	16-66000 244-0	SPRING NO.4 RR HELPER	4-65	25	1202-	111.000	4HG1-T, Harimau
15	16-66000 245-0	SPRING NO.5 RR HELPER	4-65	26	1202-	88.000	4HG1-T, Harimau
16	16-66000 246-0	SPRING NO.6 RR HELPER	4-65	27	1202-	67.000	4HG1-T, Harimau
17	16-66000 247-0	SPRING NO.7 RR HELPER	4-65	28	1202-	52.000	4HG1-T, Harimau