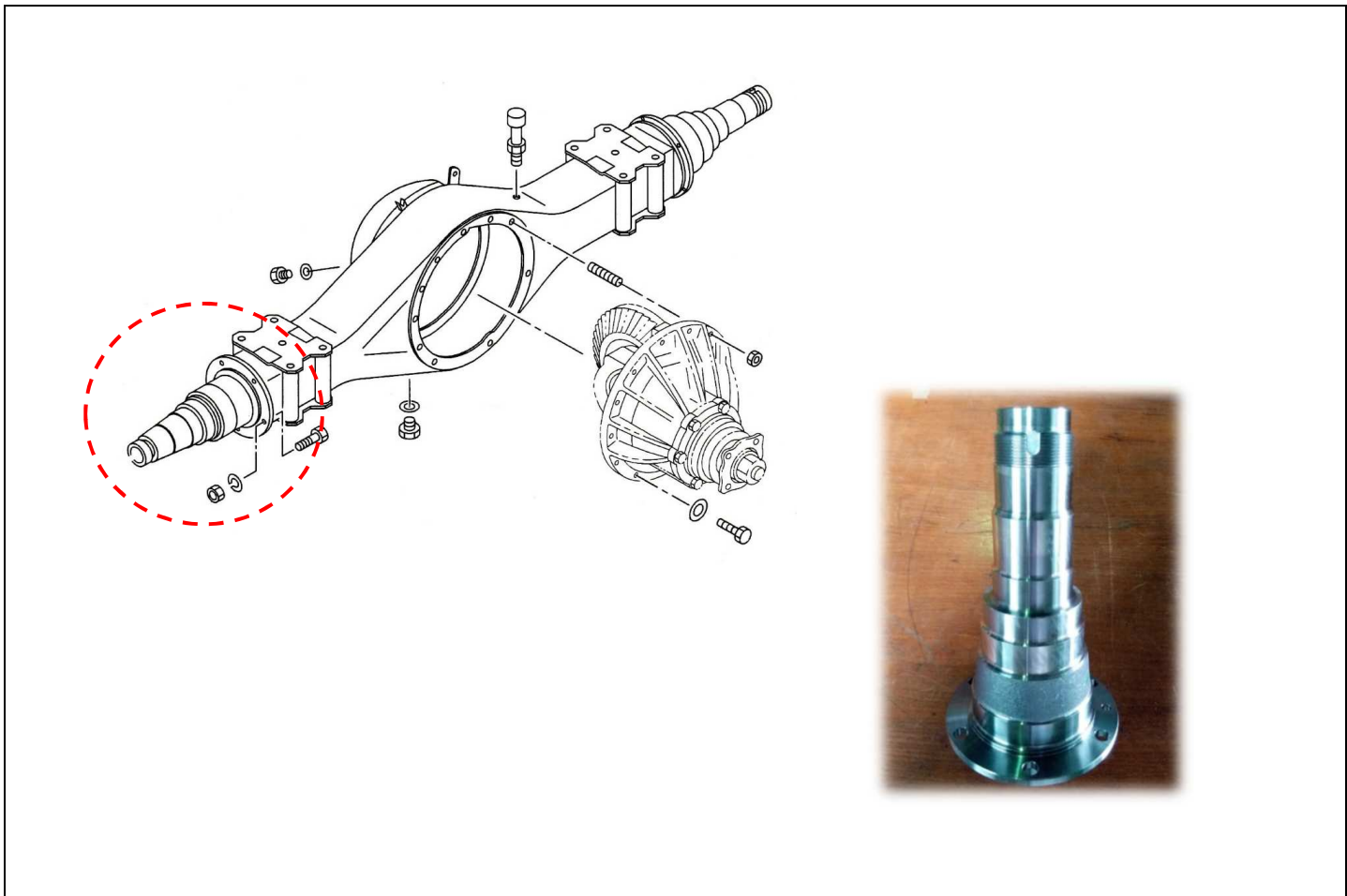


PART INFORMATION

No : FORM/D/16/006/Rev00
 Ref No : 008/PI/PART/IAMI/VI/18
 Tanggal : 06 Juni 2018
 Perihal : END TUBE NMR71-HD, IADG

FIG NO : 4-20 REAR AXLE CASE AND SHAFT



NO	PART NUMBER	ITC	DESCRIPTION	FIG No.	KEY NO.	APPLIED DATE	RETAIL	REMARKS
1	I6-98272 086-0		END; TUBE NMR71	4-20		1512-	Rp950.000	NMR71