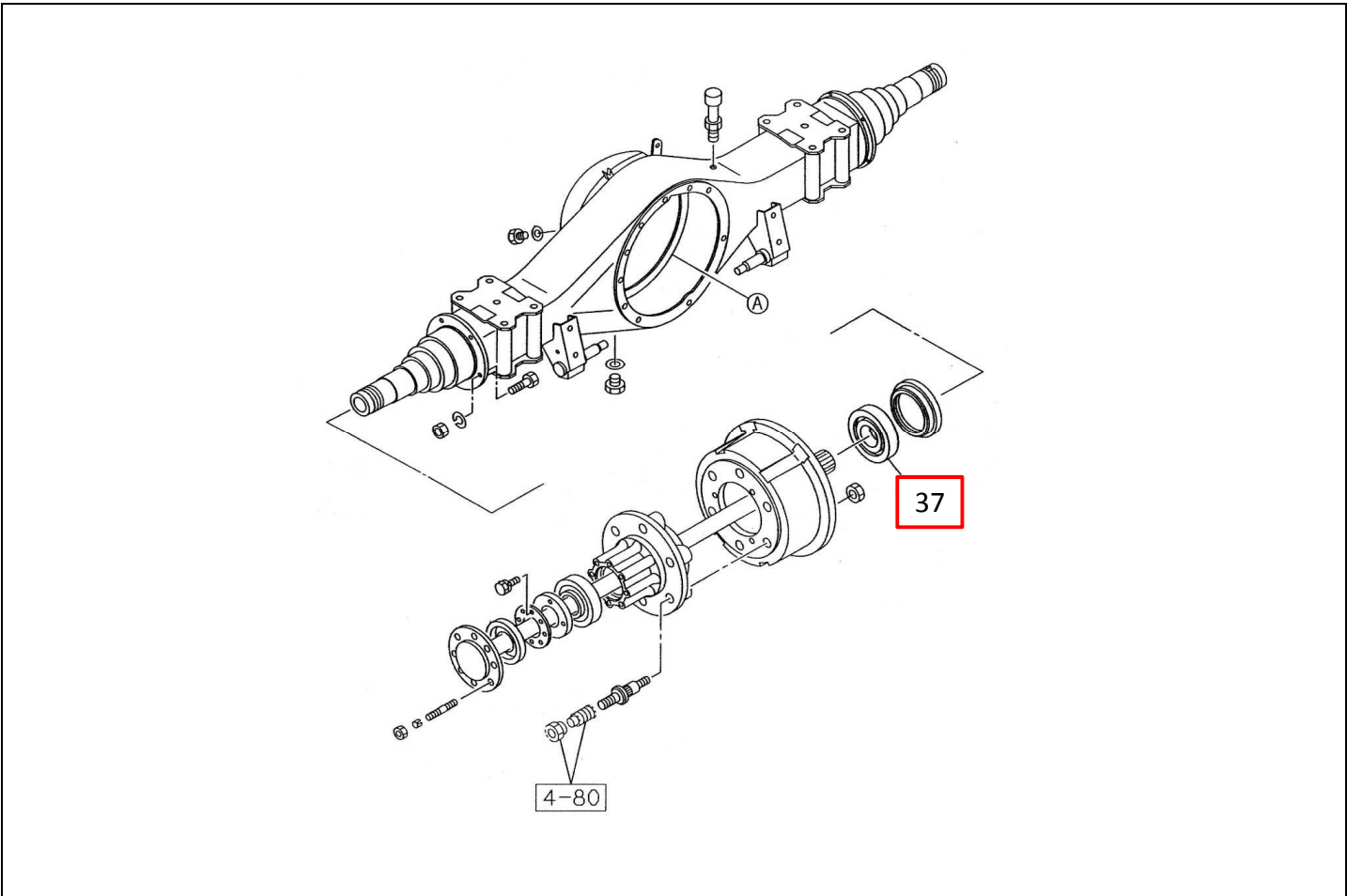


PART INFORMATION

No : FORM/D/16/006/Rev00
 Reff No : 009/PI/PART/IAMI/VI/18
 Tanggal : 24 Juli 2018
 Perihal : BEARING HUB INNER RR AXLE, NQR, IADG

FIG NO : 4-20 REAR AXLE CASE AND SHAFT



NO	PART NUMBER	ITC	DESCRIPTION	FIG No.	KEY NO.	APPLIED DATE	RETAIL	REMARKS
1	18-97122 938-A		BEARING; HUB INNER,RR AXLE	4-20	37	1208-	Rp310.000	NQR